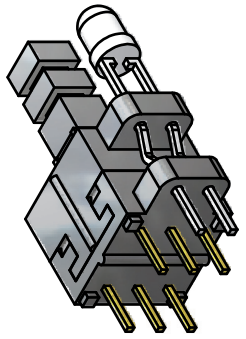
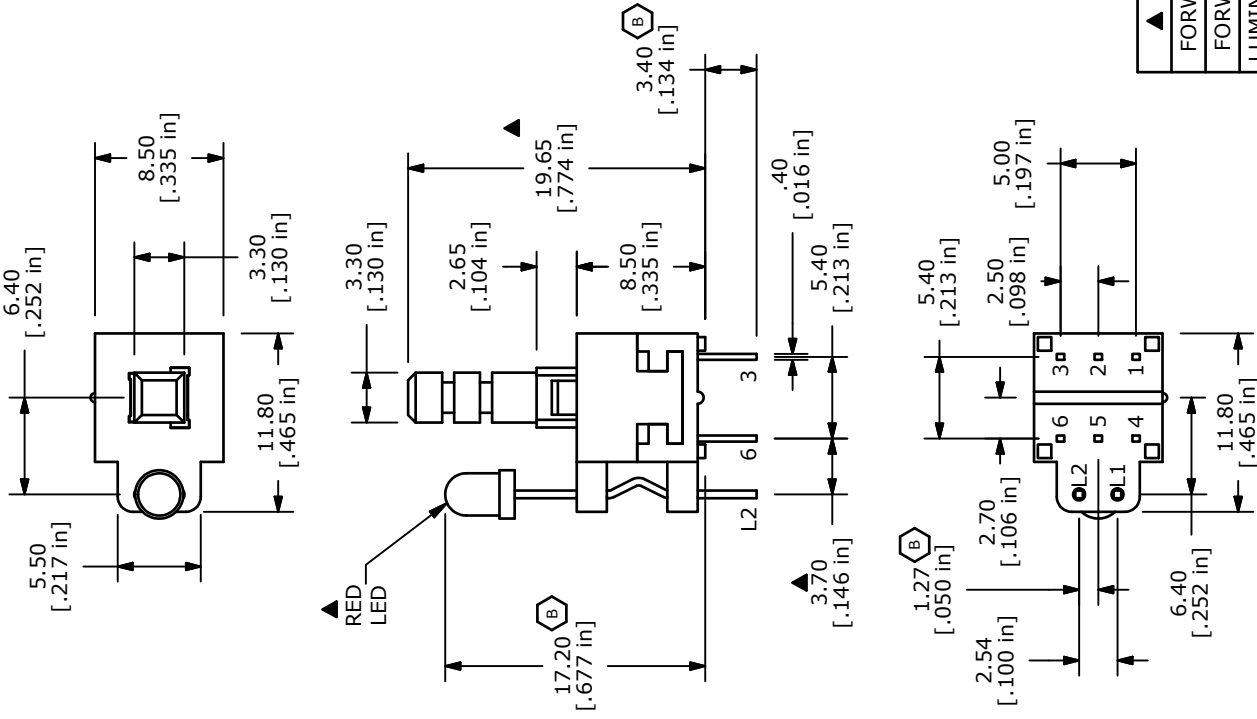


- NOTES:
1. ALL DIMENSIONS IN MM [INCH]
 2. GENERAL TOLERANCE: X.X ± 0.4
X.XX ± 0.25
 3. TERMINAL NUMBERS FOR REF. ONLY
 4. CONTACT RATING: 0.1A @ 30VDC
 5. CONTACT RESISTANCE: 50 MOHMS MAX
 6. TRAVEL: FULL = 2.5 ± 0.3; LOCK = 1.5 ± 0.3mm'S
 7. OPERATING FORCE: 250 ± 100gf
 8. ELECTRICAL LIFE: 10,000 CYCLES
 9. ▲ DENOTES CRITICAL PARAMETER
 10. CONTACT MATERIAL: SILVER
 11. OPERATING TEMPERATURE: -20c TO +70c
 12. INSULATION RESISTANCE: 100M OHMS MIN.
 - ▲ 13. LED COLOR: RED
 14. 2002/95/EC (RoHS) COMPLIANT AND HALOGEN FREE



▲

▲ LED SPECS	UNITS	RED
FORWARD CURRENT	mA	20
FORWARD VOLTAGE	V	2.0-2.4
LUMINOUS INTENSITY	MCD	120



TITLE TL2205EEBPR

B	19554	DIM CHANGES & UPDATE	12/30/10	BGL
A	18806	New-Release	1/20/10	rc
REV	PCR NO	DESCRIPTION	DATE	BY
SCALE	2:1	DATE	1/20/2010	DR
DWG	B401000	REV	B	

THE INFORMATION CONTAINED IN THIS DOCUMENT IS PROPRIETARY TO E-SWITCH AND IS NOT TO BE COPIED OR TRANSFERRED

X-ON Electronics

Largest Supplier of Electrical and Electronic Components

Click to view similar products for [Pushbutton Switches](#) category:

Click to view products by [E-Switch](#) manufacturer:

Other Similar products are found below :

[8940K2012](#) [LW1L-M1C10V-A](#) [LW1L-M1C70-A](#) [LW2L-A1C20M-GD](#) [LW2L-M1C20M-A](#) [60324L](#) [M22-D-R-GB0/K11](#) [M7E-HRN2](#)
[67021K512](#) [67081K512X](#) [701PB580](#) [7190K101](#) [7199K101](#) [810K12910](#) [810KSV30B](#) [MML21EA2ADK](#) [MML21KA3ABK](#)
[MML23KA3AC05K-001](#) [MML23KW3AA01W](#) [8418K2](#) [8442K3](#) [8450K1](#) [860K11911T01A](#) [861901](#) [861K11911T01A07](#)
[861K13810T00A14](#) [861K13911](#) [8646AB6X718UL](#) [8646ABUL](#) [9001KXRK](#) [907AYY100](#) [PMHD155A1](#) [95-313.000](#)
[9533CD4+U574+U4922](#) [95-414.000](#) [99-450.837](#) [99-453.837](#) [PV3H2B0NN-341](#) [1203MRA](#) [A22NZBGANGA](#) [A22NZBMMNGA](#)
[A22NZBNANGA](#) [A22NZMPATRA](#) [A2PMA1X03EC56](#) [A3A-5123-02](#) [A3A-7140](#) [A3A-7310](#) [A3A-7340](#) [A3U-TMW-A2C-5M](#) [A595](#)