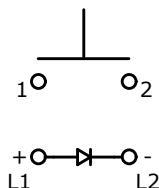


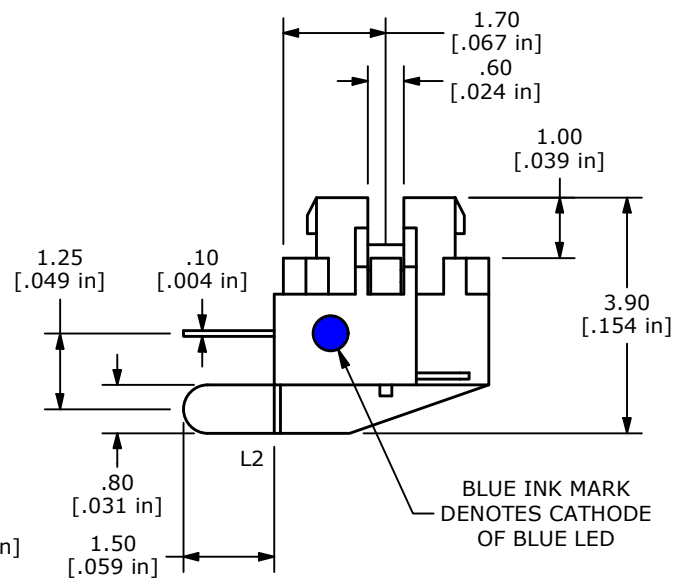
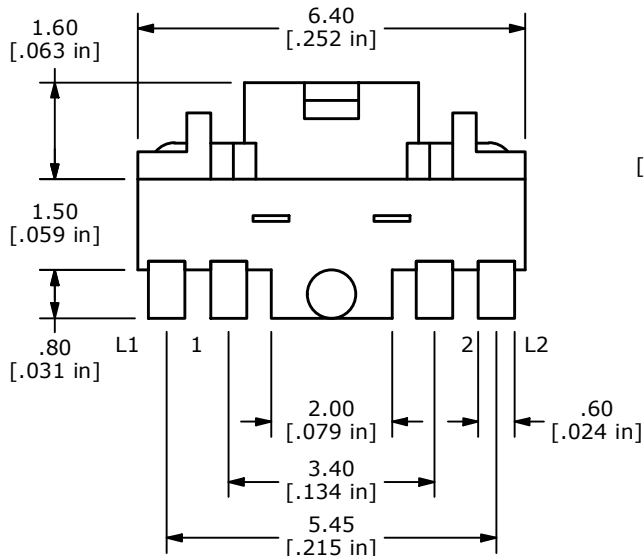
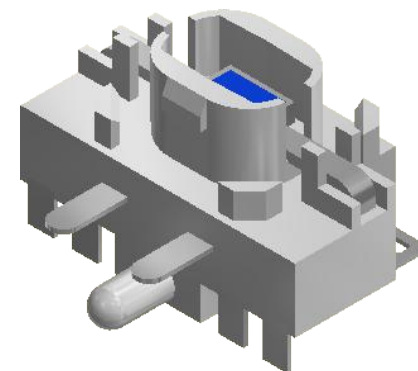
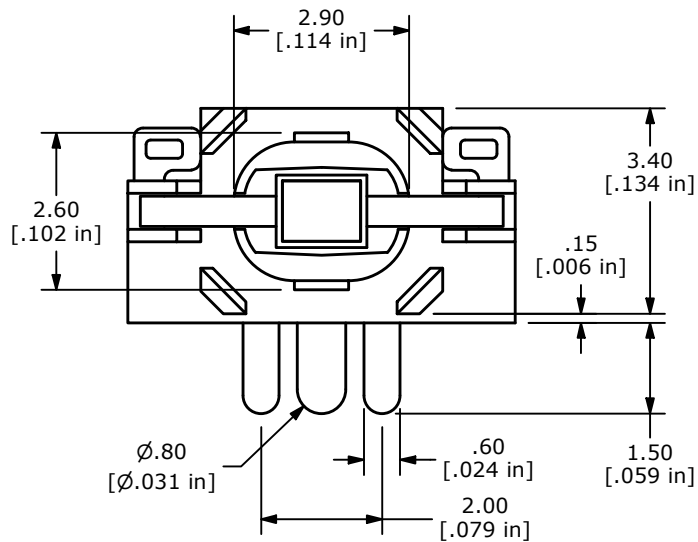
RECOMMENDED PCB LAYOUT



CIRCUIT: SPST

NOTES:

1. ALL DIMENSIONS IN MM [INCH]
2. GENERAL TOLERANCE: X.X = ±0.4
X.XX = ±0.25
3. RATING: 12VDC, 50mA MAX.
4. CONTACT RESISTANCE: 500mΩ MAX.
5. INSULATION RESISTANCE: 100MΩ MIN. @ 100VDC
6. TRAVEL: 0.2 ±0.1 mm
7. DIELECTRIC STRENGTH: 250V AC FOR 1 MIN.
- ▲ 8. OPERATING FORCE: 160 ±50gf
9. OPERATING TEMPERATURE: -40°C TO 85°C
10. OPERATING LIFE: 100,000 CYCLES.
11. PACKAGING: TAPE & REEL, 1,400 PIECES PER REEL
12. ▲ DENOTES CRITICAL PARAMETER
- ▲ 13. CONTACT MATERIAL: SILVER



LED SPECS	UNITS	BLUE
FORWARD CURRENT	mA	20
FORWARD VOLTAGE	V	3.30 typ.
LUMINOUS INTENSITY	mcd	80 typ.
PEAK WAVELENGTH	nm	465

REV	ECO NO	DESCRIPTION	DATE	BY
C	ECO-101514	NOTE 11 TAPE AND REEL TO 1,400 PIECES.	12/19/22	MR
B	ECO-101499	NOTE 11 TAPE AND REEL TO 550 PIECES.	12/07/22	MR
A	ECO-101265	NEW RELEASE	09/19/22	MR

		OBJECT ID 100122749
TITLE TL3275AF160BQ		
SCALE	DATE	DR
8:1	9/19/2022	MJR
DWG	REV	
B327502	C	

THE INFORMATION CONTAINED IN THIS DOCUMENT IS PROPRIETARY TO E-SWITCH AND IS NOT TO BE COPIED OR TRANSFERRED

X-ON Electronics

Largest Supplier of Electrical and Electronic Components

Click to view similar products for [Tactile Switches](#) category:

Click to view products by [E-Switch](#) manufacturer:

Other Similar products are found below :

[6407-250V-25273P](#) [ADTSA62NV](#) [B3F-3123](#) [1977177-8](#) [1977266-1](#) [ADTSA63NV](#) [ADTSM21NSVTR](#) [ADTSM25RVTR](#) [ADTSM32NVTR](#)
[ADTSMW64RV](#) [1977120-6](#) [FSMRA4JHA04](#) [GS4.70F300QP](#) [KSC241J SP DELTA LFS](#) [3FTL600RAS](#) [3FTL640RAS](#) [Y96K132V0FPLFS](#)
[09158](#) [6407-250V-25343P](#) [ADTSM31NVTR](#) [2-1977120-7](#) [TSJW-5.2-260-TR](#) [TME1-01-Z](#) [Y651050400P](#) [KMT011MNGJLHS](#)
[ADTSG648NV](#) [ADTSM62KSVTR](#) [MJTP1138DTR](#) [ADTSM648NV](#) [95C06E3RAT](#) [3ATH9Q](#) [FSMRA8JHA04](#) [HARS0073](#)
[Y33R411N9FPLFT](#) [Y33R51139FPLFT](#) [Y31C01402FPLFS](#) [PTS645SK50SMTR92](#) [ADTSM32NVB](#) [KMS233GPWTFLG](#) [Y78B64124FP](#)
[Y33A812C5FP LFT](#) [Y56B2D120FP LFS](#) [PTS645 DVM83-BN125-2 LFS](#) [B3W 1000G](#) [B3F 1002C](#) [B3F 0047H](#) [B3W 1002C](#) [B3F 5001G](#)
[B3W 1100C](#) [1-1571563-4](#)