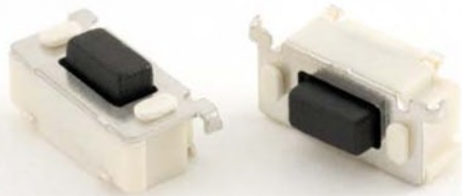


SERIES TL 3330 SWITCHES

TACT SWITCHES SMT - RIGHT ANGLE



SPECIFICATIONS

| | |
|------------------------|--|
| Contact Rating: | 50mA @ 12 VDC |
| Life Expectancy: | 50,000 cycles-F130 30,000 cycles-F260 |
| Contact Resistance: | 100mΩ |
| Insulation Resistance: | 100MΩ |
| Dielectric Strength: | 250 VAC |
| Actuation Force: | 130± 40 gf, 260± 50 gf |
| Operating Temperature: | -30°C to 70°C |
| Travel: | 0.25mm ± 0.15mm |

FEATURES & BENEFITS

- ▶ Multiple gram force options
- ▶ Small profile works great for many consumer electronic applications

APPLICATIONS/MARKETS

- ▶ Telecommunications
- ▶ Consumer Electronics
- ▶ Audio/visual
- ▶ Medical
- ▶ Testing/instrumentation
- ▶ Computer/servers/peripherals

MATERIALS

| | |
|------------|----------------------|
| Actuator: | Nylon |
| Base: | Nylon |
| Cover: | Tin Plate |
| Terminals: | Copper alloy, plated |

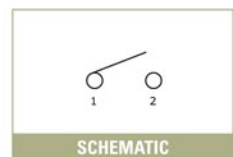
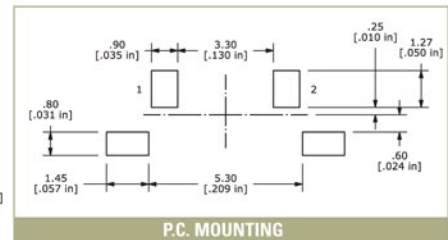
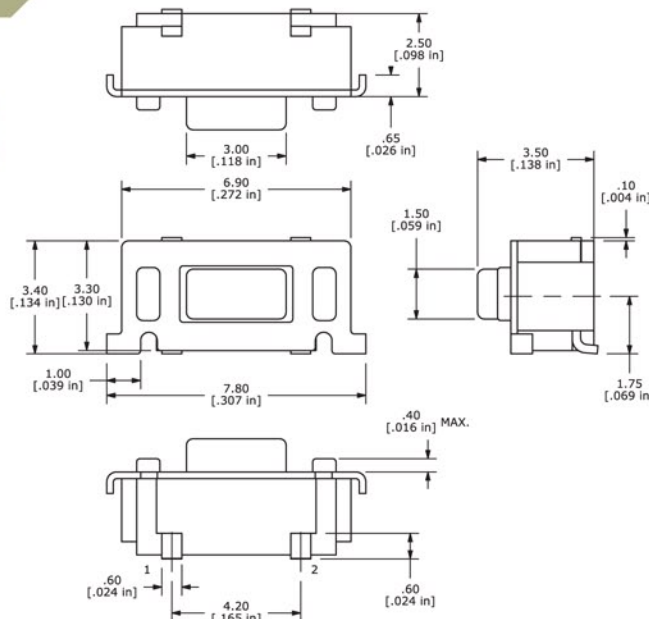
HOW TO ORDER

| SERIES | MODEL NO. | ACTUATOR ("L" Dimension) | OPERATING FORCE | CONTACT MATERIAL | TERMINATION |
|--------|-----------|--------------------------|-----------------|------------------|---------------|
| TL | 3330 | A = 3.50mm | F130 F260 | Q = Silver | G = Gull Wing |

Example Ordering Number
TL-3330-A-F260-Q-G

Specifications subject to change without notice.

TL 3330



X-ON Electronics

Largest Supplier of Electrical and Electronic Components

Click to view similar products for [Tactile Switches](#) category:

Click to view products by [E-Switch](#) manufacturer:

Other Similar products are found below :

[5GTH92001](#) [5GTH9202242](#) [1-1977120-4](#) [ADTSA62RV](#) [ADTSA63KV](#) [ADTSA644NV](#) [ADTSMW66NV](#) [ADTSMW67RV](#) [B3F-3123](#) [B3F-6055A](#) [B3F-B32-01-KIT](#) [1977177-8](#) [1977266-1](#) [ADTS644KV](#) [ADTSA61RV](#) [ADTSA62KV](#) [ADTSA63NV](#) [ADTSA63RV](#) [ADTSM21NSVTR](#) [ADTSM32NVTR](#) [ADTSM61YVTR](#) [ADTSM63SVTR](#) [ADTSM644KVTR](#) [ADTSMW64RV](#) [ADTSMW69NV](#) [FSMRA4JHA04](#) [GS4.70F300QP](#) [3ESH9R](#) [506E00201](#) [MJTP1164TR](#) [3FTL600RAS](#) [3FTL640RAS](#) [Y96K132V0FPLFS](#) [101-TS5022T1601-EV](#) [5GSH92001](#) [KSJ0A231](#) [80SH LFG](#) [EVQ-P1D05K](#) [MJTP1162TR](#) [ADTSM63KV](#) [2-1977120-7](#) [TSJW-5.2-260-TR](#) [KMT011MNGJLHS](#) [ADTSA648RV](#) [70-201.0](#) [ADTSM62KSVTR](#) [ATA600VTR](#) [ADTSG66RV](#) [ADTS61NV](#) [ADTSM62KVTR](#) [ADTSM25KSVB](#)