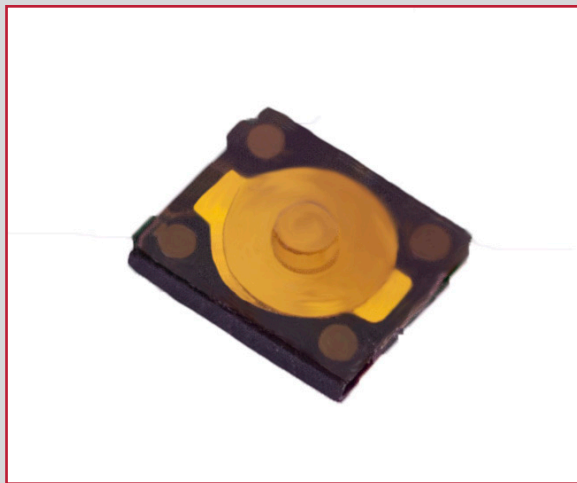


# TL3701 SERIES TACT SWITCH

ANTI-VANDAL SWITCHES  
 DETECTOR SWITCHES  
 DIP SWITCHES  
 KEYLOCK SWITCHES  
 NAVIGATION SWITCHES  
 PUSHBUTTON SWITCHES  
 ROCKER SWITCHES  
 ROTARY SWITCHES  
 SLIDE SWITCHES  
 SNAP ACTION SWITCHES  
**TACTILE SWITCHES**  
 TOGGLE SWITCHES  
 CAP OPTIONS



## APPLICATIONS / MARKETS



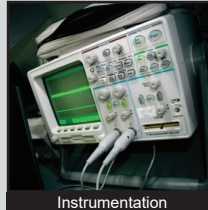
Wearable Electronics



Computer Peripherals



Consumer Electronics



Instrumentation



Telecommunication



Handheld Devices

**RoHS**

## SPECIFICATIONS

**Electrical Rating:** 50mA @ 12VDC  
**Life Expectancy:** up to 100,000 Cycles  
**Contact Resistance:** 500mΩ Max.  
**Insulation Resistance:** 100MΩ Min. at 500VDC  
**Dielectric Strength:** 250VAC for 1 Minute  
**Operating Temperature:** -40°C to 85°C Min.  
**Operating Force:** 100gf and 160gf  
**Travel:** 0.15mm  
**Function:** SPST, Off-(On)

## FEATURES & BENEFITS

- 3.0mm (W) x 2.6mm (L) x 0.65mm (H) dimensions
- Up to 100,000 cycle life expectancy
- 100gf and 160gf options

## PART NUMBER CONFIGURATOR

| Series                          | Model                             | Actuator Option                         | Actuation Force  | Contact Material                        | Termination                    |
|---------------------------------|-----------------------------------|---|--|---|--------------------------------|
| <input type="text" value="TL"/> | <input type="text" value="3701"/> | <input type="text" value="A - 0.65mm"/> | <input type="text" value="F100 - 100gf"/><br><input type="text" value="F160 - 160gf"/> | <input type="text" value="Q - Silver"/> | <input type="text" value="G"/> |

Specifications subject to change without notice 8.21.2019



**E-SWITCH®**

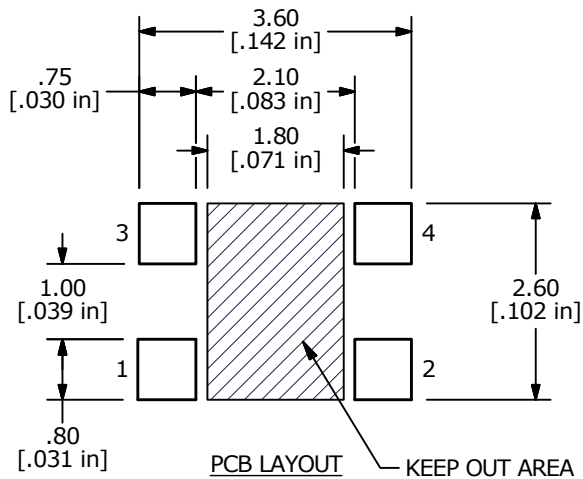
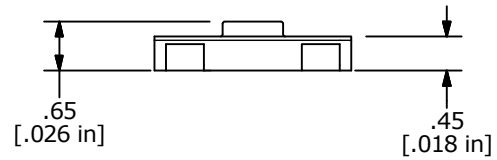
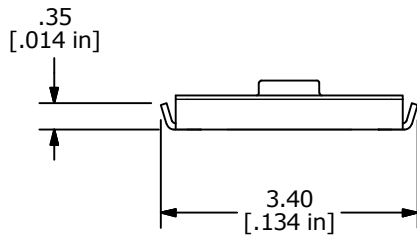
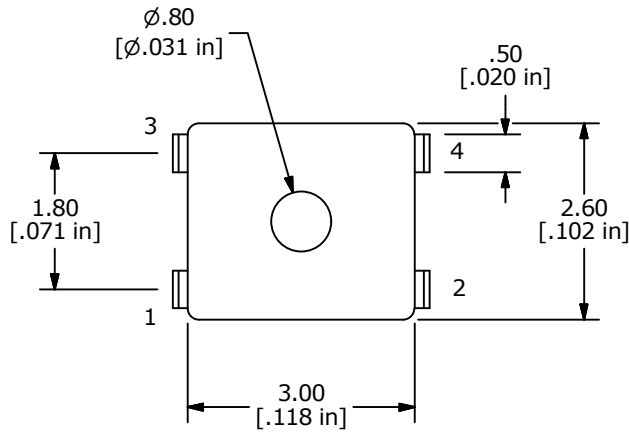
www.e-switch.com

800.867.2717

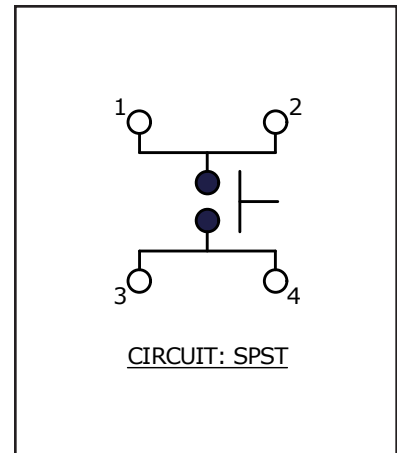
1

# TL3701 SERIES TACT SWITCH

## BODY DIMENSIONS



**SURFACE MOUNT PCB LAYOUT**



**CIRCUIT: SPST**

**SCHEMATIC**

- ANTI-VANDAL SWITCHES
- DETECTOR SWITCHES
- DIP SWITCHES
- KEYLOCK SWITCHES
- NAVIGATION SWITCHES
- PUSHBUTTON SWITCHES
- ROCKER SWITCHES
- ROTARY SWITCHES
- SLIDE SWITCHES
- SNAP ACTION SWITCHES
- TACTILE SWITCHES**
- TOGGLE SWITCHES
- CAP OPTIONS



## X-ON Electronics

Largest Supplier of Electrical and Electronic Components

*Click to view similar products for [Tactile Switches](#) category:*

*Click to view products by [E-Switch](#) manufacturer:*

Other Similar products are found below :

[5GTH92001](#) [5GTH9202242](#) [1-1977120-4](#) [ADTSA62RV](#) [ADTSA63KV](#) [ADTSA644NV](#) [ADTSMW66NV](#) [ADTSMW67RV](#) [B3F-3123](#) [B3F-6055A](#) [B3F-B32-01-KIT](#) [1977177-8](#) [1977266-1](#) [ADTS644KV](#) [ADTSA61RV](#) [ADTSA62KV](#) [ADTSA63NV](#) [ADTSA63RV](#) [ADTSM21NSVTR](#) [ADTSM32NVTR](#) [ADTSM61YVTR](#) [ADTSM63SVTR](#) [ADTSM644KVTR](#) [ADTSMW64RV](#) [ADTSMW69NV](#) [FSMRA4JHA04](#) [GS4.70F300QP](#) [3ESH9R](#) [506E00201](#) [MJTP1164TR](#) [3FTL600RAS](#) [3FTL640RAS](#) [Y96K132V0FPLFS](#) [101-TS5022T1601-EV](#) [5GSH92001](#) [KSJ0A231](#) [80SH LFG](#) [EVQ-P1D05K](#) [MJTP1162TR](#) [ADTSM63KV](#) [2-1977120-7](#) [TSJW-5.2-260-TR](#) [KMT011MNGJLHS](#) [ADTSA648RV](#) [70-201.0](#) [ADTSM62KSVTR](#) [ATA600VTR](#) [ADTSG66RV](#) [ADTS61NV](#) [ADTSM62KVTR](#) [ADTSM25KSVB](#)