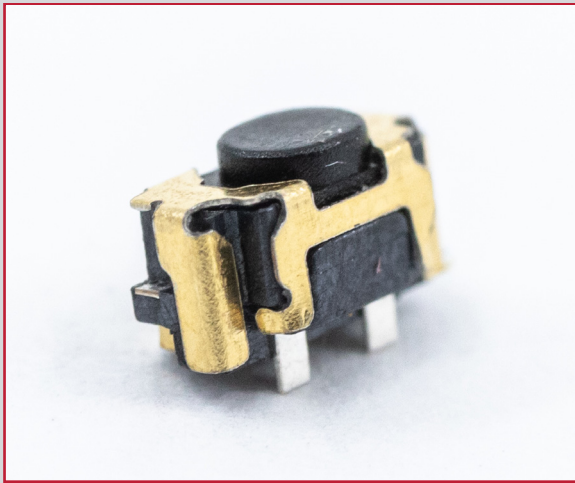
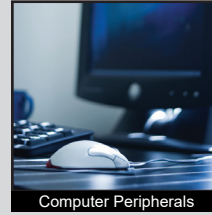


# TL4115 SERIES TACT SWITCH

ANTI-VANDAL SWITCHES  
 DETECTOR SWITCHES  
 DIP SWITCHES  
 KEYLOCK SWITCHES  
 NAVIGATION SWITCHES  
 PUSHBUTTON SWITCHES  
 ROCKER SWITCHES  
 ROTARY SWITCHES  
 SLIDE SWITCHES  
 SNAP ACTION SWITCHES  
**TACTILE SWITCHES**  
 TOGGLE SWITCHES  
 CAP OPTIONS



## APPLICATIONS / MARKETS



**RoHS**

## SPECIFICATIONS

**Contact Arrangement:** SPST Off - (On)  
**Contact Rating:** 12VDC, 50mA  
**Contact Resistance:** 500mΩ Max. (Initial)  
**Insulation Resistance:** 100MΩ Min. at 100VDC  
**Dielectric Strength:** 250VAC for 1 Minute  
**Electrical Life:** 600,000 Cycles  
**Operating Temperature:** -30°C to 85°C  
**Operating Force:** 160gf ± 50gf, 220gf ± 70gf  
**Travel:** 0.15mm  
**Bounce:** 10m sec. max.

## FEATURES & BENEFITS

- 600,000 cycle life expectancy
- Tape and Reel packaging
- Low travel
- Right angle edge surface mount design

## PART NUMBER CONFIGURATOR

Series	Circuit	Actuator "L" Dimension	Actuation Force	Contact Material
<input type="text" value="TL"/>	<input type="text" value="4115"/>	<input type="text" value="A - 2.60"/>	<input type="text" value="F160 - 160 gf"/> <input type="text" value="F220 - 220 gf"/>	<input type="text" value="Q - Silver"/>

*Specifications subject to change without notice 4.30.2021*



**E-SWITCH®**

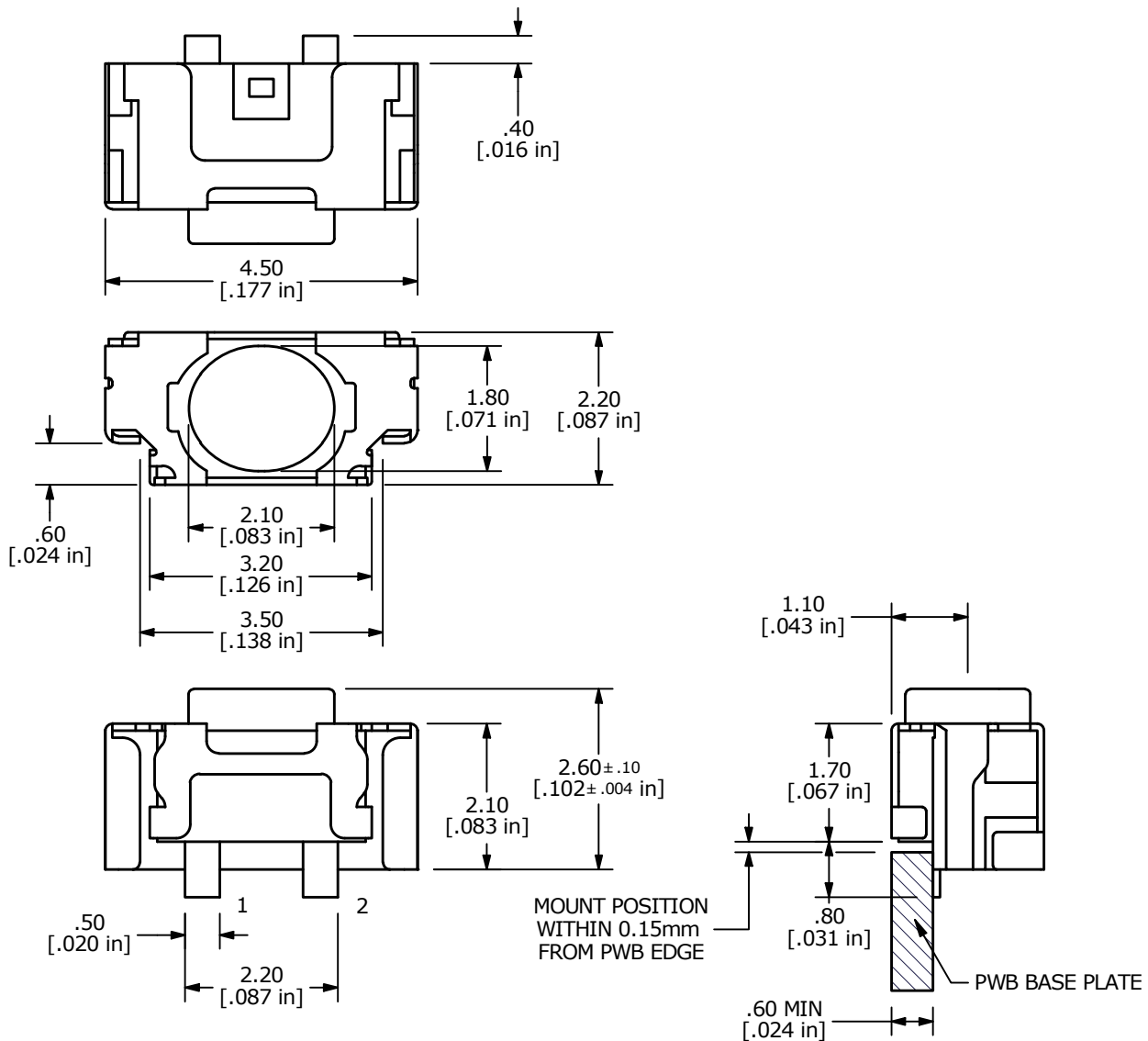
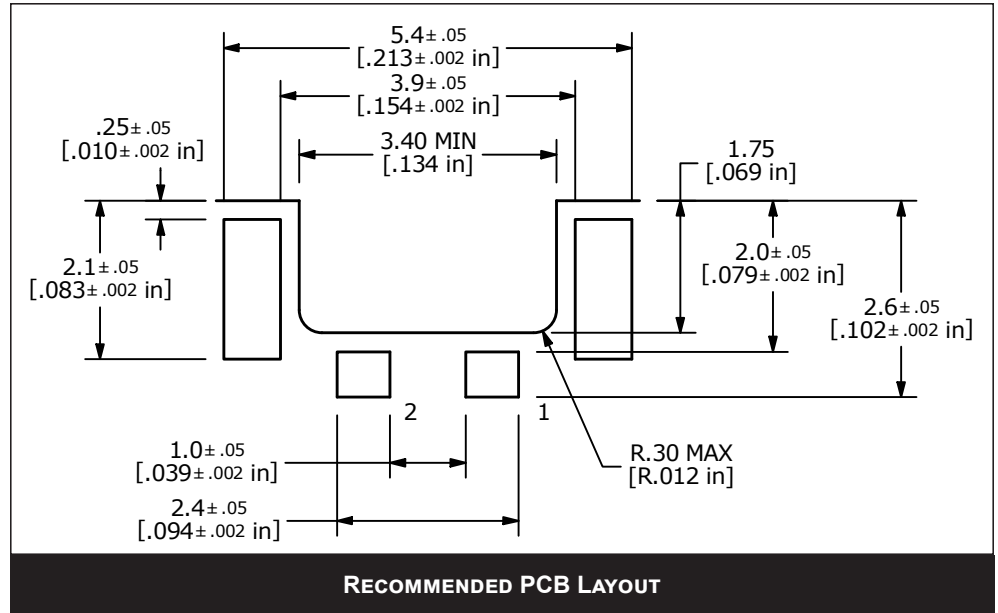
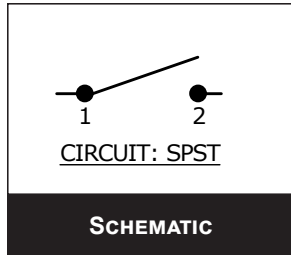
www.e-switch.com

800.867.2717

1

# TL4115 SERIES TACT SWITCH

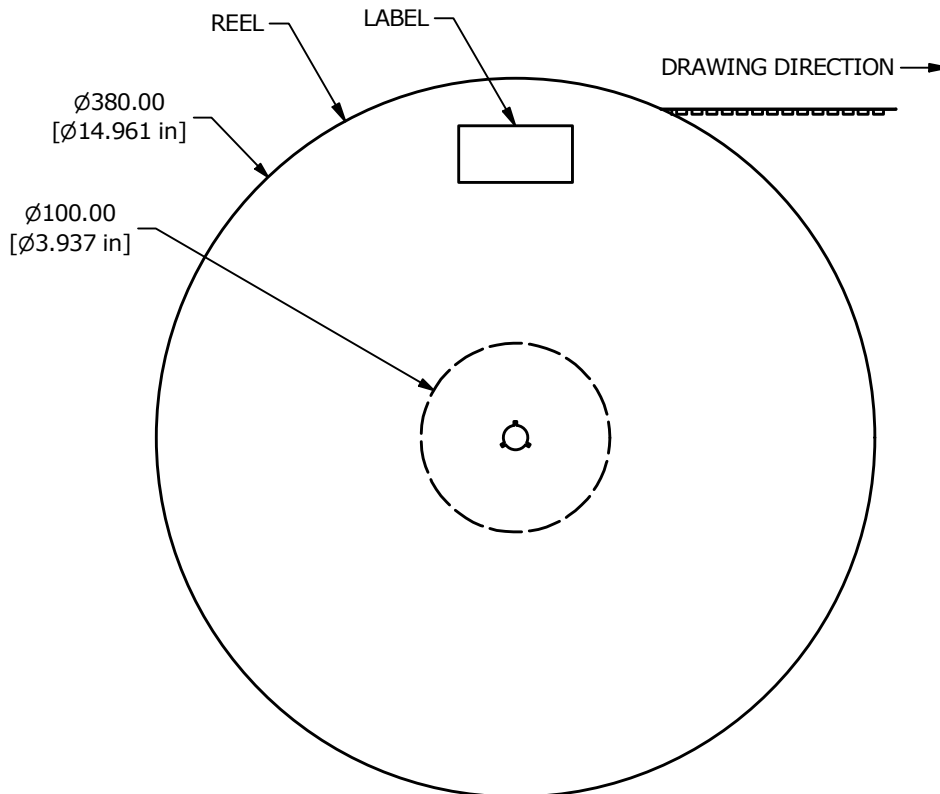
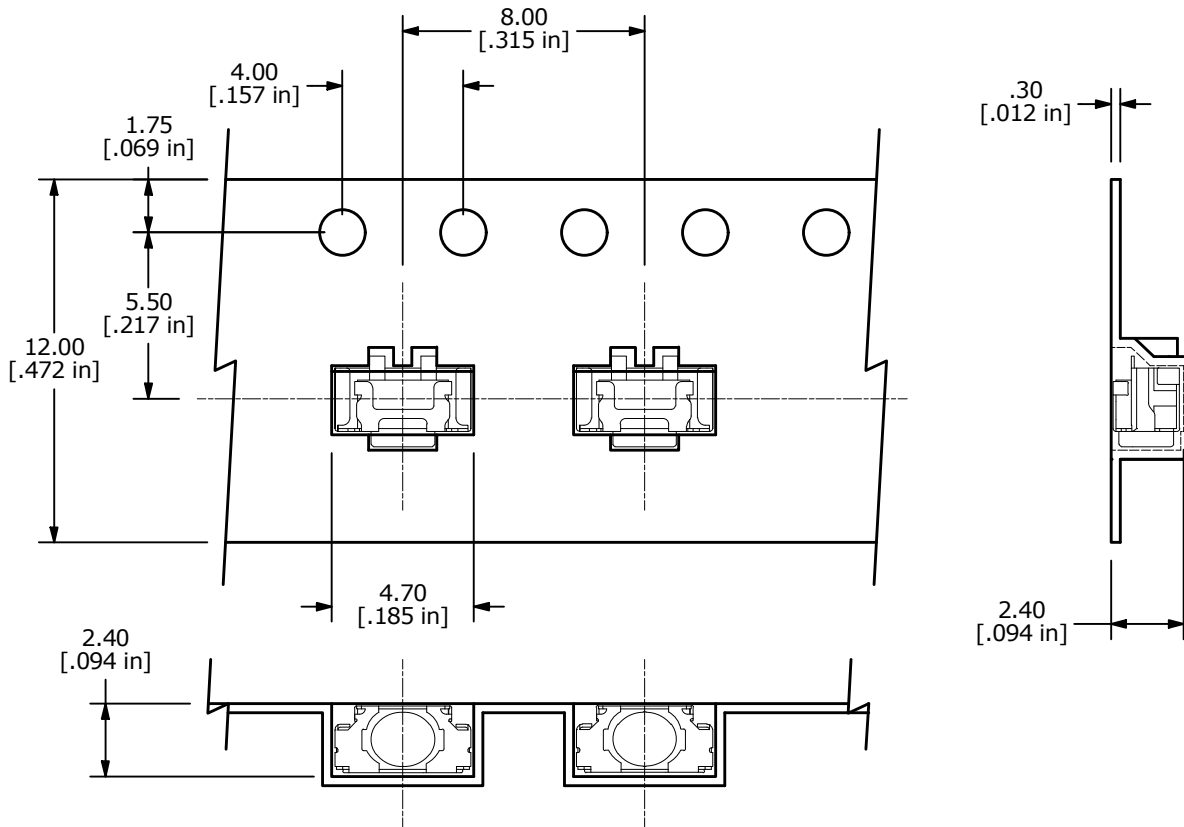
## BODY DIMENSIONS



- ANTI-VANDAL SWITCHES
- DETECTOR SWITCHES
- DIP SWITCHES
- KEYLOCK SWITCHES
- NAVIGATION SWITCHES
- PUSHBUTTON SWITCHES
- ROCKER SWITCHES
- ROTARY SWITCHES
- SLIDE SWITCHES
- SNAP ACTION SWITCHES
- TACTILE SWITCHES**
- TOGGLE SWITCHES
- CAP OPTIONS

# TL4115 SERIES TACT SWITCH

## BODY DIMENSIONS TAPE AND REEL



# TL4115 SERIES TACT SWITCH

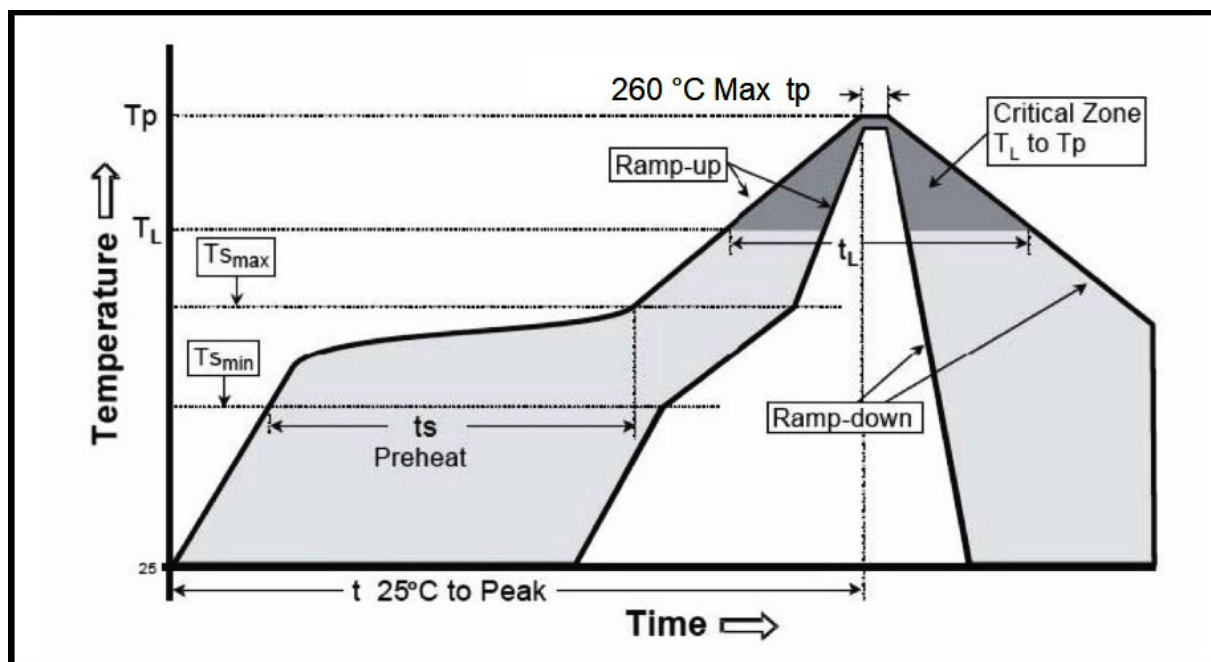
## RECOMMENDED SOLDER PROCESS

Most contamination problems can be prevented by exercising care during the cleaning and soldering process. Care should be taken not to immerse or spray unsealed switches during flux removal. Contact E-Switch for specific soldering recommendations and specifications not shown. Generalized soldering procedures are outlined below.

### “TYPICAL” SMT REFLOW (Pb and Pb-Free)

Profile Feature	Sn-Pb Eutectic Assembly	Pb-Free Assembly
Average Ramp-Up Rate ( $T_{s_{max}}$ to $T_p$ )	3 °C/second max.	3 °C/second max.
<b>Preheat</b>		
-Temperature Min ( $T_{s_{min}}$ )	100 °C	150 °C
-Temperature Max ( $T_{s_{max}}$ )	150 °C	200 °C
-Time ( $t_{s_{min}}$ to $t_{s_{max}}$ )	60-120 seconds	60-180 seconds
Time Maintained above:		
-Temperature ( $T_L$ )	183 °C	217 °C
-Time ( $t_L$ )	60-150 seconds	60-150 seconds
Time within 5 °C of actual Peak Temperature ( $t_p$ )	10-30 seconds	20-40 seconds
Ramp-Down Rate	6 °C/second max.	6 °C/second max.
Time 25 °C to Peak Temperature	6 minutes max.	8 minutes max.

*Note 1: All temperatures refer to topside of the package, measured on the package surface.*



## X-ON Electronics

Largest Supplier of Electrical and Electronic Components

*Click to view similar products for [Tactile Switches](#) category:*

*Click to view products by [E-Switch](#) manufacturer:*

Other Similar products are found below :

[6407-250V-25273P](#) [ADTSA62NV](#) [B3F-3123](#) [1977177-8](#) [1977266-1](#) [ADTSA63NV](#) [ADTSM21NSVTR](#) [ADTSM25RVTR](#) [ADTSM32NVTR](#)  
[ADTSMW64RV](#) [1977120-6](#) [FSMRA4JHA04](#) [GS4.70F300QP](#) [KSC241J SP DELTA LFS](#) [3FTL600RAS](#) [3FTL640RAS](#) [Y96K132V0FPLFS](#)  
[09158](#) [6407-250V-25343P](#) [ADTSM31NVTR](#) [2-1977120-7](#) [TSJW-5.2-260-TR](#) [TME1-01-Z](#) [Y651050400P](#) [KMT011MNGJLHS](#)  
[ADTSG648NV](#) [ADTSM62KSVTR](#) [MJTP1138DTR](#) [ADTSM648NV](#) [95C06E3RAT](#) [3ATH9Q](#) [FSMRA8JHA04](#) [HARS0073](#)  
[Y33R411N9FPLFT](#) [Y33R51139FPLFT](#) [Y31C01402FPLFS](#) [PTS645SK50SMTR92](#) [ADTSM32NVB](#) [KMS233GPWTFLG](#) [Y78B64124FP](#)  
[Y33A812C5FP LFT](#) [Y56B2D120FP LFS](#) [PTS645 DVM83-BN125-2 LFS](#) [B3W 1000G](#) [B3F 1002C](#) [B3F 0047H](#) [B3W 1002C](#) [B3F 5001G](#)  
[B3W 1100C](#) [1-1571563-4](#)