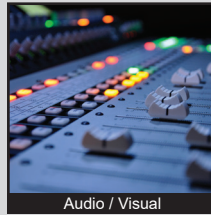


# TL6150 SERIES TACT SWITCH

ANTI-VANDAL SWITCHES  
DETECTOR SWITCHES  
DIP SWITCHES  
KEYLOCK SWITCHES  
NAVIGATION SWITCHES  
PUSHBUTTON SWITCHES  
ROCKER SWITCHES  
ROTARY SWITCHES  
SLIDE SWITCHES  
SNAP ACTION SWITCHES  
TACTILE SWITCHES  
TOGGLE SWITCHES  
CAP OPTIONS



## APPLICATIONS / MARKETS



**RoHS**

## SPECIFICATIONS

**Contact Rating:** 50mA, 32VDC  
**Electrical Life:** up to 5,000,000 Cycles  
**Contact Resistance:** 100mΩ Max. (Initial)  
**Insulation Resistance:** 10MΩ Min. at 100VDC  
**Dielectric Strength:** 250VAC for 1 Minute  
**Operating Temperature:** -40°C to 85°C  
**Operating Force:** 160gf ± 50gf (5,000,000 cycles)  
                           200gf ± 50gf (500,000 cycles)  
                           350gf ± 100gf (300,000 cycles)  
**Travel:** 0.3mm; 160gf  
           0.35mm; 200gf  
           0.5mm; 350gf  
**Dust/Moisture Protection:** IP67  
**Function:** SPST, Off-(On)

## FEATURES & BENEFITS

- Up to 5,000,000 cycle life expectancy
- Tape and Reel packaging
- IP67 ratings
- Multiple force options

## PART NUMBER CONFIGURATOR

Series	Circuit	Actuator	Force	Plating	Termination
<input type="text" value="TL"/>	<input type="text" value="6150"/>	<input type="text" value="A - 3.50"/> <input type="text" value="B - 5.20"/>	<input type="text" value="F160 - 160 gf - Brown"/> <input type="text" value="F200 - 200 gf - Red"/> <input type="text" value="F350 - 350 gf - Orange"/>	<input type="text" value="Q - Silver"/>	<input type="text" value="G - Gull Wing"/> <input type="text" value="J - J Lead"/>

*Specifications subject to change without notice 2.9.2021*



**E-SWITCH®**

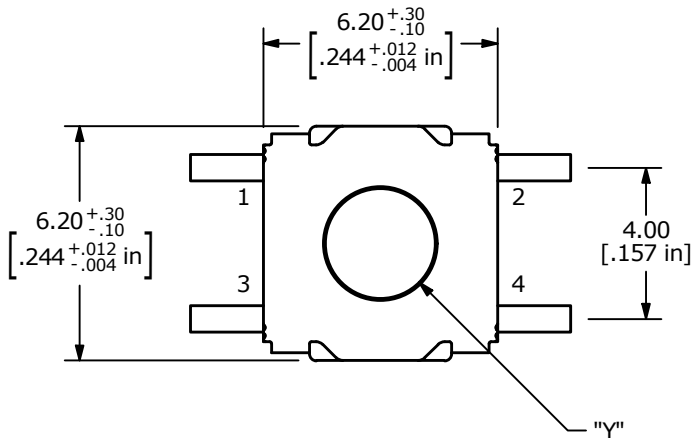
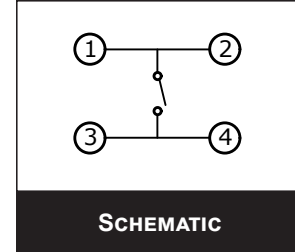
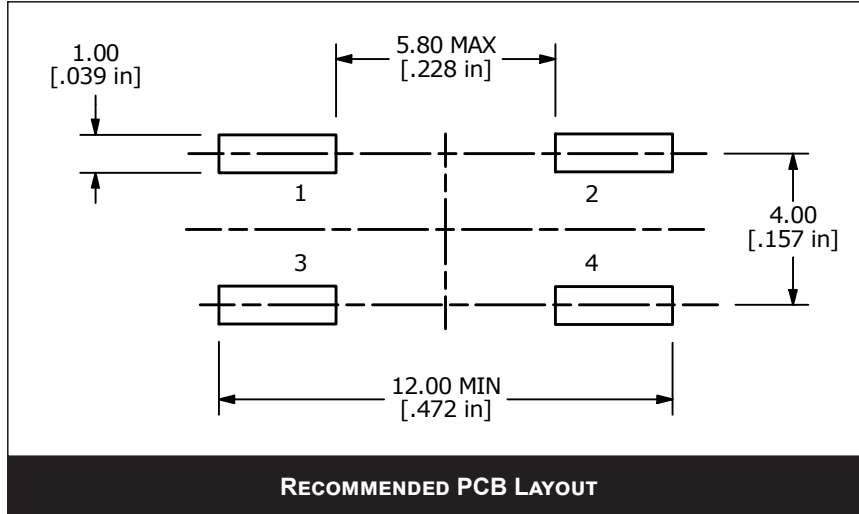
www.e-switch.com

800.867.2717

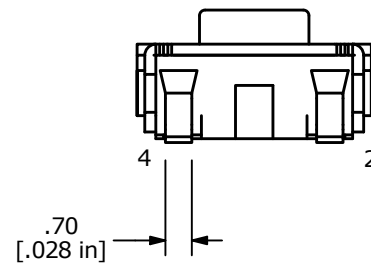
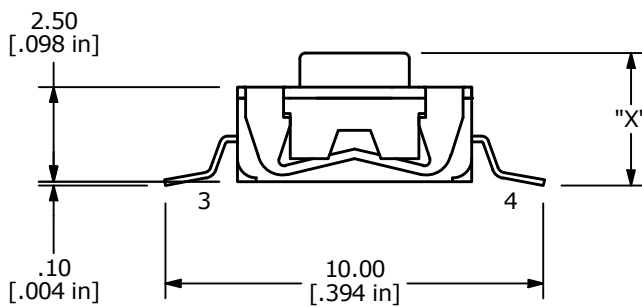
1

# TL6150 SERIES TACT SWITCH

## BODY DIMENSIONS GULL WING

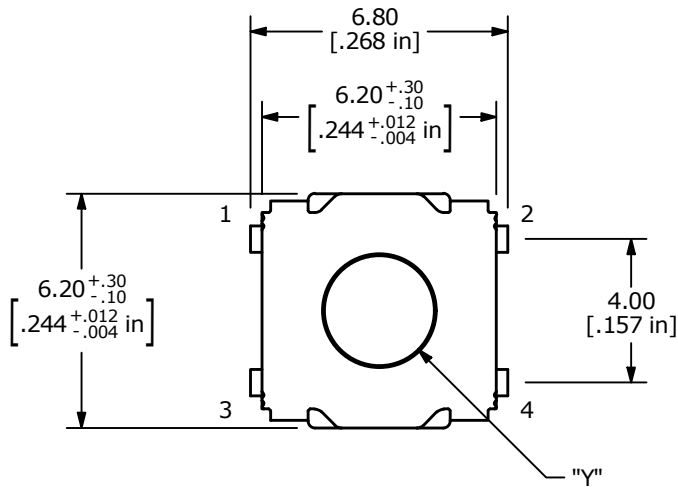
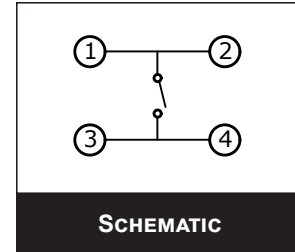
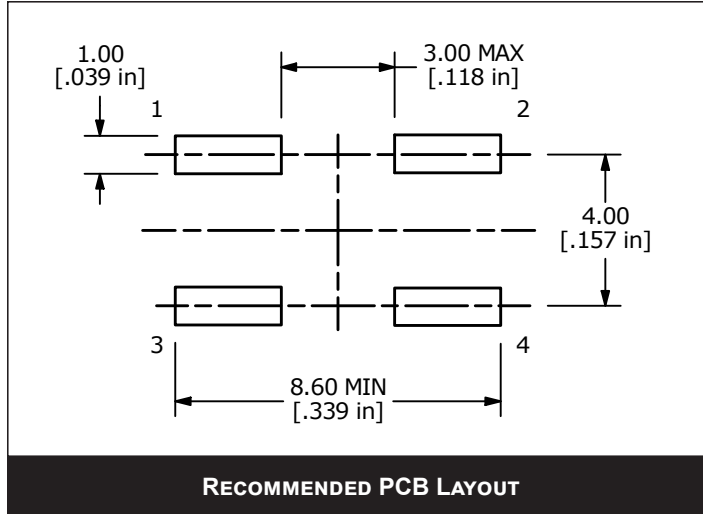


ACTUATOR	"X"	"Y"
A	3.50	2.90
B	5.20	2.70

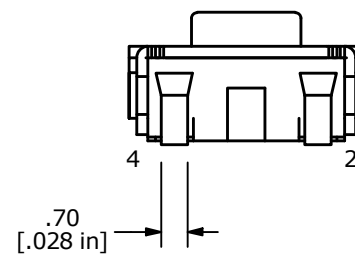
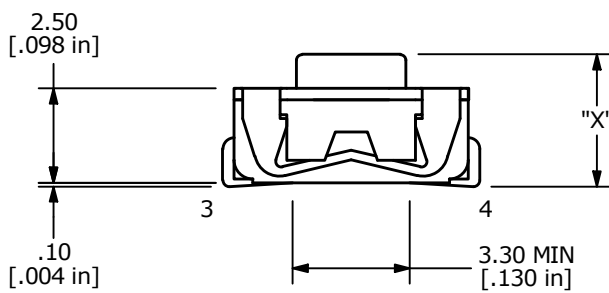


# TL6150 SERIES TACT SWITCH

## BODY DIMENSIONS J LEAD

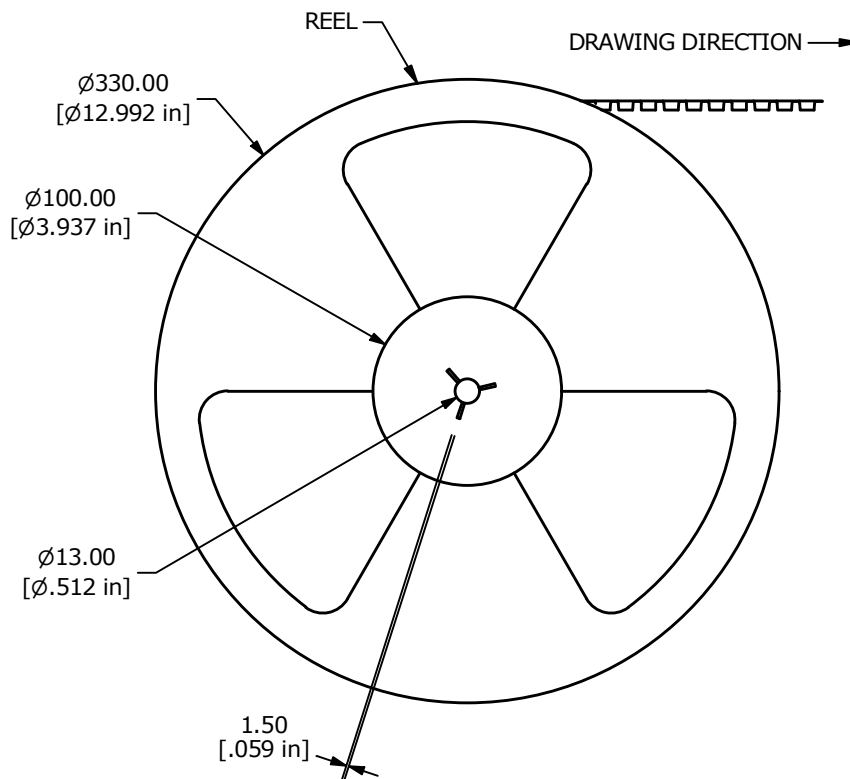
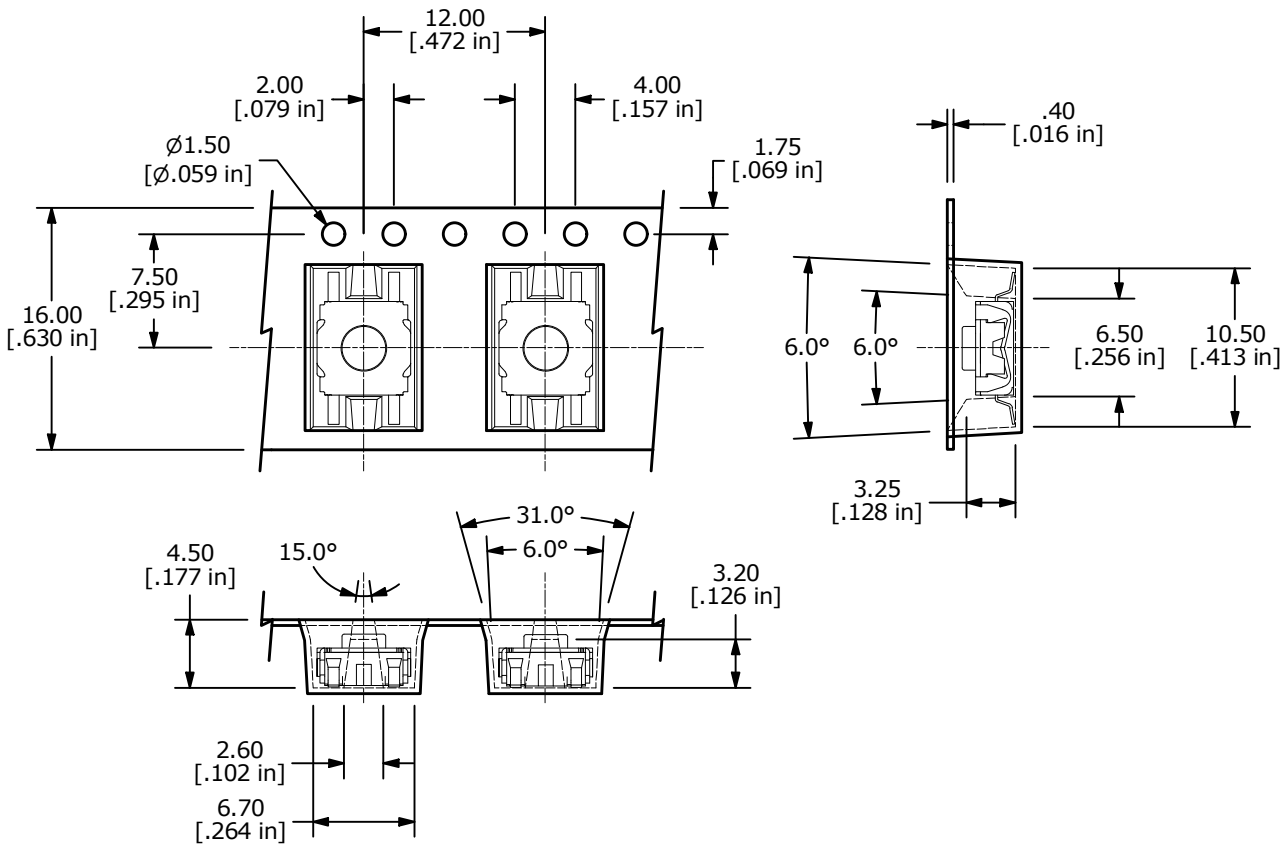


ACTUATOR	"X"	"Y"
A	3.50	2.90
B	5.20	2.70



# TL6150 SERIES TACT SWITCH

## BODY DIMENSIONS TAPE AND REEL



# TL6150 SERIES TACT SWITCH

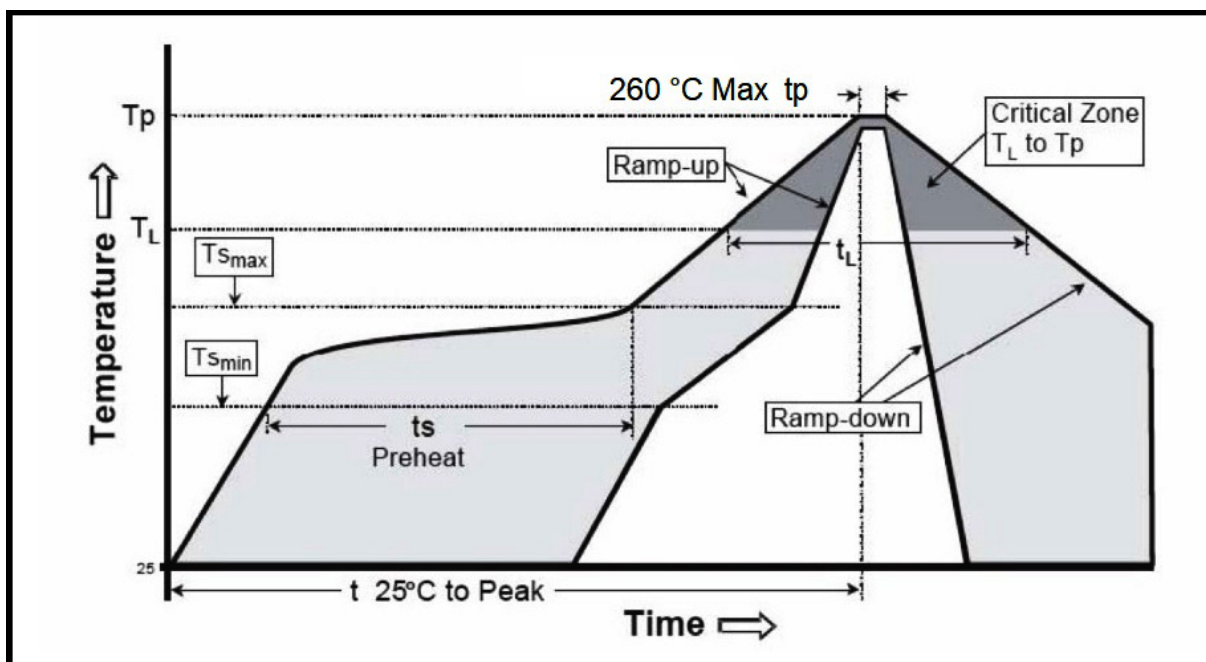
## RECOMMENDED SOLDER PROCESS

Most contamination problems can be prevented by exercising care during the cleaning and soldering process. Care should be taken not to immerse or spray unsealed switches during flux removal. Contact E-Switch for specific soldering recommendations and specifications not shown. Generalized soldering procedures are outlined below.

### “TYPICAL” SMT REFLOW (Pb and Pb-Free)

Profile Feature	Sn-Pb Eutectic Assembly	Pb-Free Assembly
Average Ramp-Up Rate ( $T_{s_{max}}$ to $T_p$ )	3 °C/second max.	3 °C/second max.
<b>Preheat</b>		
-Temperature Min ( $T_{s_{min}}$ )	100 °C	150 °C
-Temperature Max ( $T_{s_{max}}$ )	150 °C	200 °C
-Time ( $t_{s_{min}}$ to $t_{s_{max}}$ )	60-120 seconds	60-180 seconds
Time Maintained above:		
-Temperature ( $T_L$ )	183 °C	217 °C
-Time ( $t_L$ )	60-150 seconds	60-150 seconds
Time within 5 °C of actual Peak Temperature ( $t_p$ )	10-30 seconds	20-40 seconds
Ramp-Down Rate	6 °C/second max.	6 °C/second max.
Time 25 °C to Peak Temperature	6 minutes max.	8 minutes max.

*Note 1: All temperatures refer to topside of the package, measured on the package surface.*



## X-ON Electronics

Largest Supplier of Electrical and Electronic Components

*Click to view similar products for [Tactile Switches](#) category:*

*Click to view products by [E-Switch](#) manufacturer:*

Other Similar products are found below :

[5GTH92001](#) [5GTH9202242](#) [1-1977120-4](#) [ADTSA62RV](#) [ADTSA63KV](#) [ADTSA644NV](#) [ADTSMW66NV](#) [ADTSMW67RV](#) [B3F-3123](#) [B3F-6055A](#) [B3F-B32-01-KIT](#) [1977177-8](#) [1977266-1](#) [ADTS644KV](#) [ADTSA61RV](#) [ADTSA62KV](#) [ADTSA63NV](#) [ADTSA63RV](#) [ADTSM21NSVTR](#) [ADTSM32NVTR](#) [ADTSM61YVTR](#) [ADTSM63SVTR](#) [ADTSM644KVTR](#) [ADTSMW64RV](#) [ADTSMW69NV](#) [FSMRA4JHA04](#) [GS4.70F300QP](#) [3ESH9R](#) [506E00201](#) [MJTP1164TR](#) [3FTL600RAS](#) [3FTL640RAS](#) [Y96K132V0FPLFS](#) [101-TS5022T1601-EV](#) [5GSH92001](#) [KSJ0A231](#) [80SH LFG](#) [EVQ-P1D05K](#) [MJTP1162TR](#) [ADTSM63KV](#) [2-1977120-7](#) [TSJW-5.2-260-TR](#) [KMT011MNGJLHS](#) [ADTSA648RV](#) [70-201.0](#) [ADTSM62KSVTR](#) [ATA600VTR](#) [ADTSG66RV](#) [ADTS61NV](#) [ADTSM62KVTR](#) [ADTSM25KSVB](#)