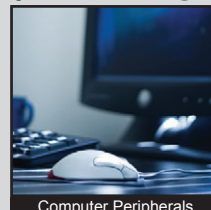
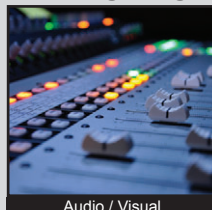


# TL6215 SERIES TACT SWITCH

ANTI-VANDAL SWITCHES  
 DETECTOR SWITCHES  
 DIP SWITCHES  
 KEYLOCK SWITCHES  
 NAVIGATION SWITCHES  
 PUSHBUTTON SWITCHES  
 ROCKER SWITCHES  
 ROTARY SWITCHES  
 SLIDE SWITCHES  
 SNAP ACTION SWITCHES  
**TACTILE SWITCHES**  
 TOGGLE SWITCHES  
 CAP OPTIONS



## APPLICATIONS / MARKETS



**RoHS**

## SPECIFICATIONS

**Electrical Rating:** 50mA @ 12VDC  
**Electrical Life:** 500,000 Cycles  
**Mechanical Life:** 500,000 Cycles  
**Contact Resistance:** 100mΩ Max.  
**Insulation Resistance:** 100M Ω Min. at 500VDC  
**Dielectric Strength:** 250VAC for 1 min.  
**Operating Temperature:** -20°C to 70°C  
**Storage Temperature:** -20°C to 70°C  
**Operating Force:** 200 gf; 450 gf  
**Travel:** 0.45mm  
**Dust/Moisture Protection:** IP67  
**Contact Arrangement:** SPST

## FEATURES & BENEFITS

- Illumination options
- Right angle or vertical thru hole mount
- IP67 ratings
- Multiple cap options

## PART NUMBER CONFIGURATOR

Series	Model	Termination Type	Actuation Force	LED Color	Cap Option*	Cap Color**
TL	6215	V - Vertical Thru Hole R - Right Angle Thru Hole*	F200 - 200 gf F450 - 450 gf	N - None R - Red G - Green B - Blue Y - Yellow W - White	N - No Cap B - B Style Cap D - D Style Cap* E - E Style Cap G - G Style Cap	N - No Cap T - Transparent K - Black** S - Silver**

\* Right Angle option with cap is only available with "D" Cap

\*\* K and S cap colors are opaque unless a laser etch graphic is created on the top surface

*Specifications subject to change without notice*



**E-SWITCH®**

www.e-switch.com

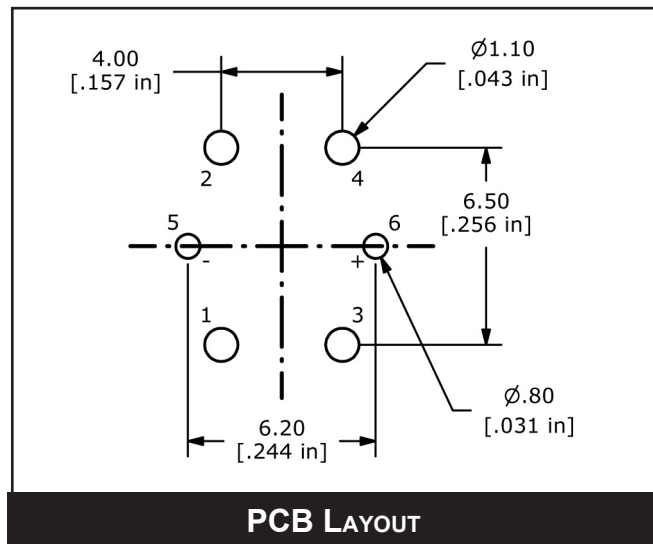
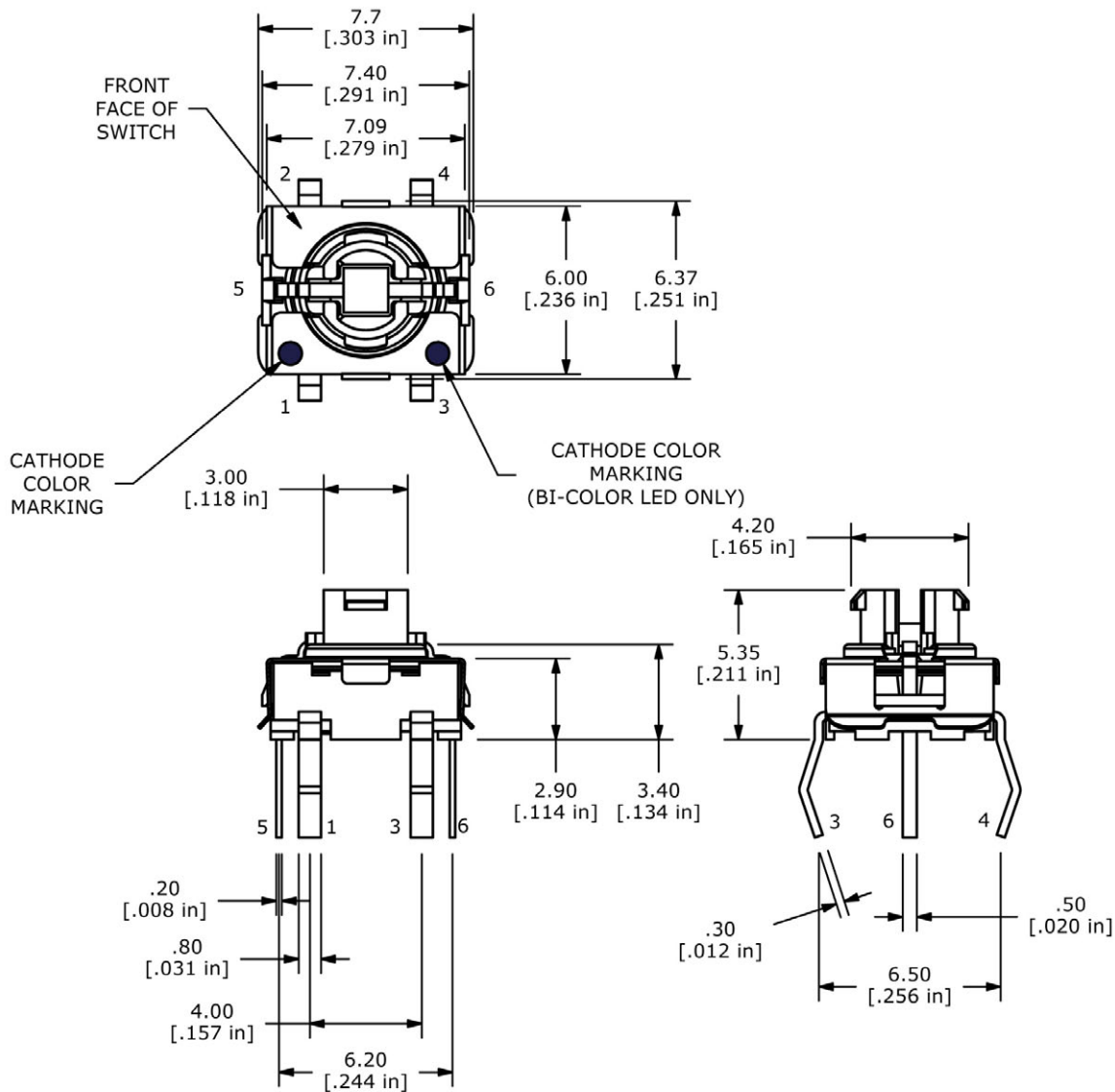
800.867.2717

2

# TL6215 SERIES TACT SWITCH

## BODY DIMENSIONS

### VERTICAL

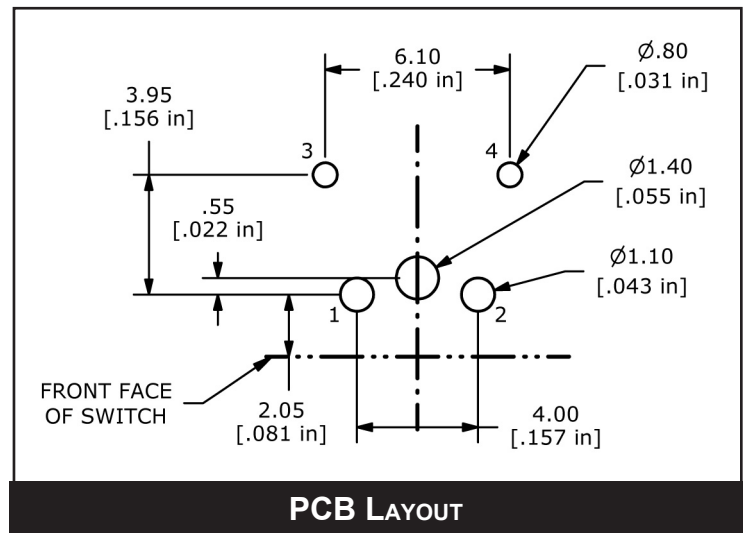
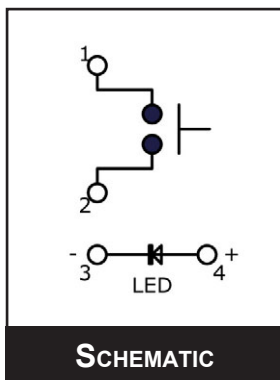
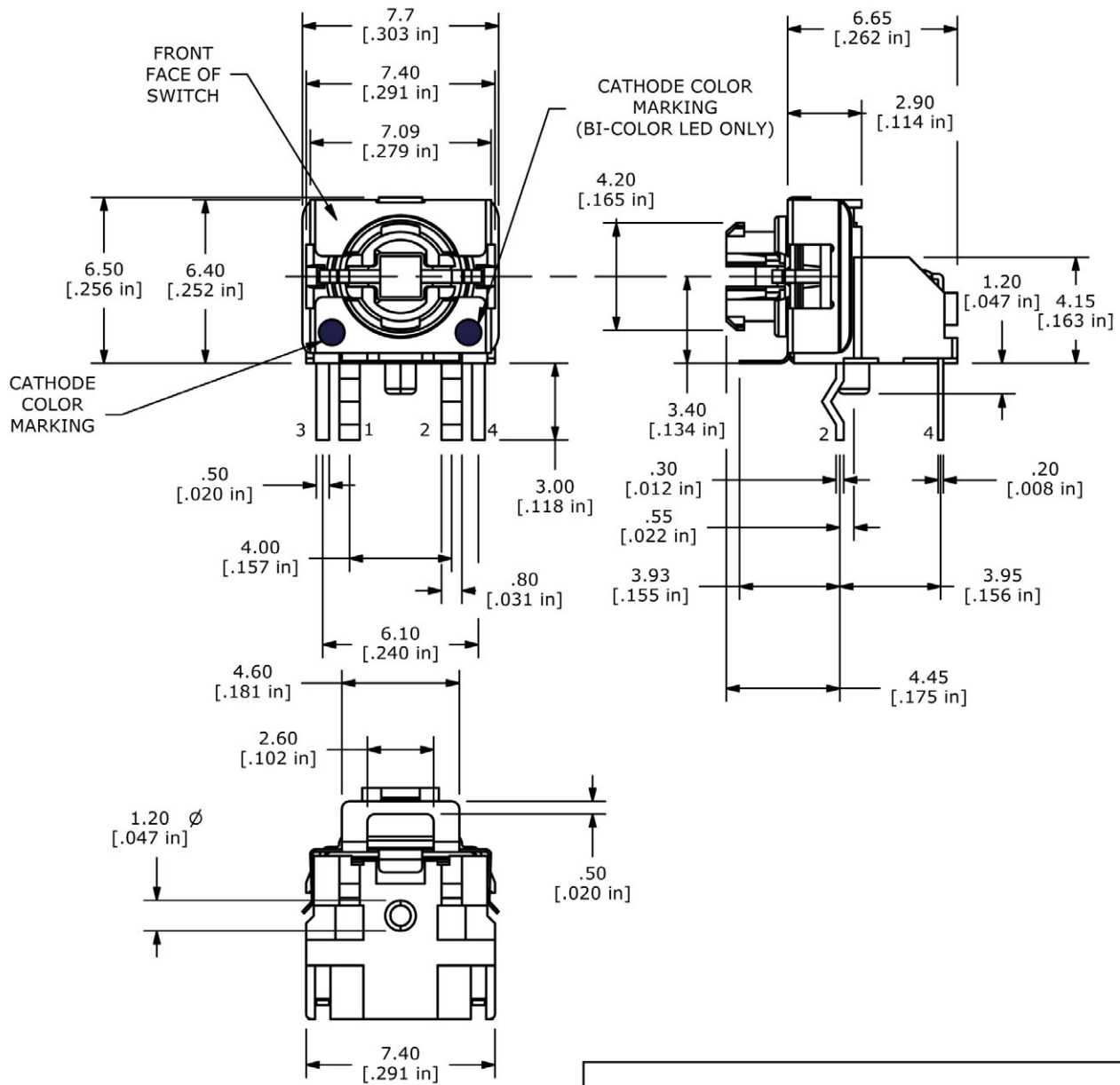


- ANTI-VANDAL SWITCHES
- DETECTOR SWITCHES
- SWITCHES
- DIP SWITCHES
- KEYLOCK SWITCHES
- NAVIGATION SWITCHES
- PUSHBUTTON SWITCHES
- ROCKER SWITCHES
- ROTARY SWITCHES
- SLIDE SWITCHES
- SNAP ACTION SWITCHES
- TACTILE SWITCHES**
- TOGGLE SWITCHES
- CAP OPTIONS



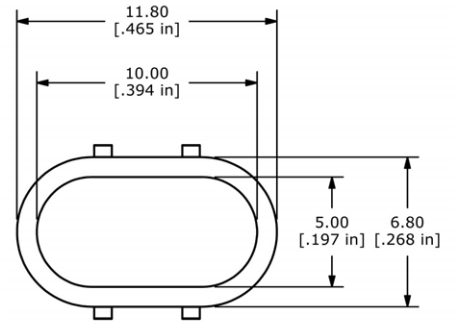
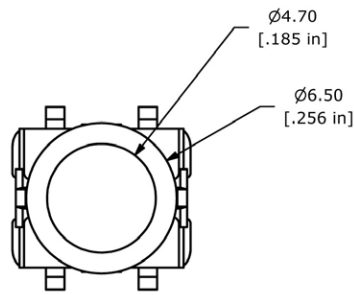
# TL6215 SERIES TACT SWITCH

## BODY DIMENSIONS RIGHT ANGLE

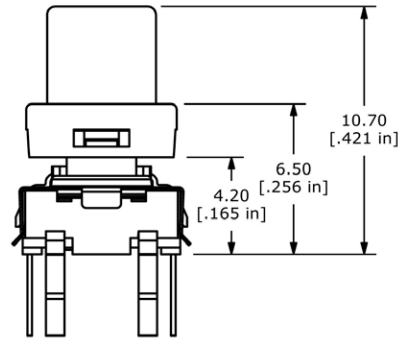


# TL6215 SERIES TACT SWITCH

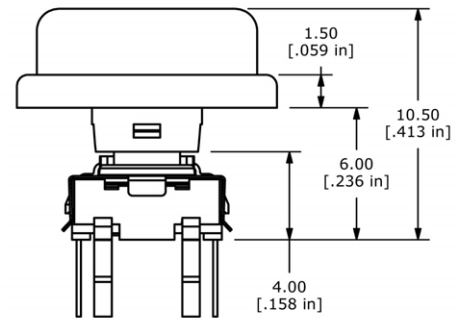
## CAP OPTIONS



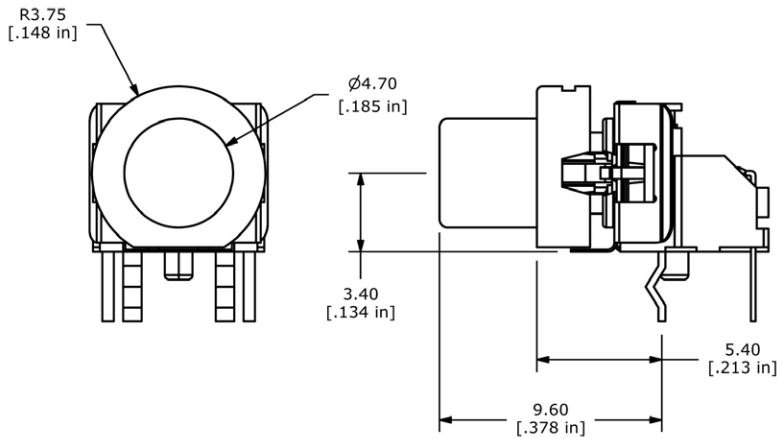
B Cap Option



E Cap Option



G Cap Option



D Cap Option

LED CHART			
COLOR	FORWARD CURRENT	FORWARD VOLTAGE	ILLUMINOUS INTENSITY
BLUE	20mA	3.3 V TYP	80mcd TYP
GREEN	20mA	2.1 V TYP	50mcd TYP
RED	20mA	1.95 V TYP	220mcd TYP
YELLOW	20mA	2.0 V TYP	180mcd TYP
WHITE	20mA	3.0V TYP	450mcd TYP



## X-ON Electronics

Largest Supplier of Electrical and Electronic Components

*Click to view similar products for [Tactile Switches](#) category:*

*Click to view products by [E-Switch](#) manufacturer:*

Other Similar products are found below :

[5GTH92001](#) [5GTH9202242](#) [1-1977120-4](#) [ADTSA62RV](#) [ADTSA63KV](#) [ADTSA644NV](#) [ADTSMW66NV](#) [ADTSMW67RV](#) [B3F-3123](#) [B3F-6055A](#) [B3F-B32-01-KIT](#) [1977177-8](#) [1977266-1](#) [ADTS644KV](#) [ADTSA61RV](#) [ADTSA62KV](#) [ADTSA63NV](#) [ADTSA63RV](#) [ADTSM21NSVTR](#) [ADTSM32NVTR](#) [ADTSM61YVTR](#) [ADTSM63SVTR](#) [ADTSM644KVTR](#) [ADTSMW64RV](#) [ADTSMW69NV](#) [FSMRA4JHA04](#) [GS4.70F300QP](#) [3ESH9R](#) [506E00201](#) [MJTP1164TR](#) [3FTL600RAS](#) [3FTL640RAS](#) [Y96K132V0FPLFS](#) [101-TS5022T1601-EV](#) [5GSH92001](#) [KSJ0A231](#) [80SH LFG](#) [EVQ-P1D05K](#) [MJTP1162TR](#) [ADTSM63KV](#) [2-1977120-7](#) [TSJW-5.2-260-TR](#) [KMT011MNGJLHS](#) [ADTSA648RV](#) [70-201.0](#) [ADTSM62KSVTR](#) [ATA600VTR](#) [ADTSG66RV](#) [ADTS61NV](#) [ADTSM62KVTR](#) [ADTSM25KSVB](#)