

TL9320 SERIES TACT SWITCH

ANTI-VANDAL SWITCHES
 DETECTOR SWITCHES
 DIP SWITCHES
 KEYLOCK SWITCHES
 NAVIGATION SWITCHES
 PUSHBUTTON SWITCHES
 ROCKER SWITCHES
 ROTARY SWITCHES
 SLIDE SWITCHES
 SNAP ACTION SWITCHES
TACTILE SWITCHES
 TOGGLE SWITCHES
 CAP OPTIONS



APPLICATIONS / MARKETS



Wearable Electronics



Computer Peripherals



Consumer Electronics



Instrumentation



Telecommunication



Handheld Devices

RoHS

SPECIFICATIONS

Contact Arrangement: SPST
Contact Rating: 16VDC, 50mA
Contact Resistance: >100mOhms
Insulation Resistance: <100MOHMS @ 100VDC
Dielectric Strength: 250VAC
Operation Life: 500,000 Cycles
Operating Temperature: -20°C to +70°C
Storage Temperature: -30°C to +80°C
Moisture Protection: IP67
Travel: 0.9mm
Actuation Force: 400gf

FEATURES & BENEFITS

- SPST contact arrangement
- 8.4mm (W) x 8.4mm (L) x 3.95mm (H) dimensions
- Up to 500,000 cycle life expectancy
- IP67 moisture protection

PART NUMBER CONFIGURATOR

Series	Model	Actuator Option	Actuation Force	Contact Material	Termination
<input type="text" value="TL"/>	<input type="text" value="9320"/>	<input type="text" value="A - 3.95mm"/>	<input type="text" value="F400 - 400gf"/>	<input type="text" value="Q - Silver"/>	<input type="text" value="G - Gullwing"/>

Specifications subject to change without notice 8.21.2019



E-SWITCH®

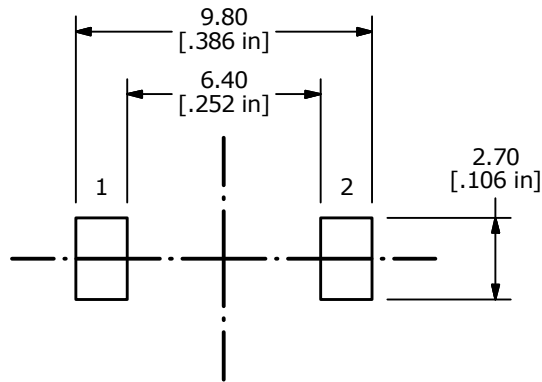
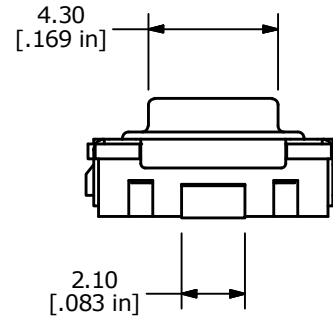
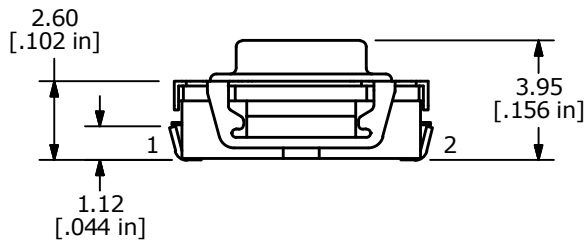
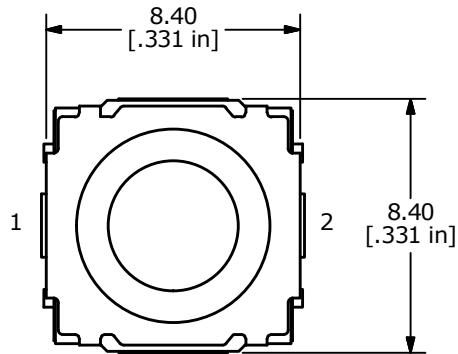
www.e-switch.com

800.867.2717

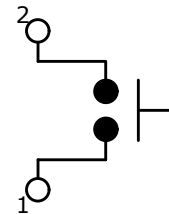
1

TL9320 SERIES TACT SWITCH

BODY DIMENSIONS



SURFACE MOUNT PCB LAYOUT



SCHEMATIC

- ANTI-VANDAL SWITCHES
- DETECTOR SWITCHES
- DIP SWITCHES
- KEYLOCK SWITCHES
- NAVIGATION SWITCHES
- PUSHBUTTON SWITCHES
- ROCKER SWITCHES
- ROTARY SWITCHES
- SLIDE SWITCHES
- SNAP ACTION SWITCHES
- TACTILE SWITCHES**
- TOGGLE SWITCHES
- CAP OPTIONS



X-ON Electronics

Largest Supplier of Electrical and Electronic Components

Click to view similar products for [Tactile Switches](#) category:

Click to view products by [E-Switch](#) manufacturer:

Other Similar products are found below :

[5GTH92001](#) [5GTH9202242](#) [1-1977120-4](#) [ADTSA62RV](#) [ADTSA63KV](#) [ADTSA644NV](#) [ADTSMW66NV](#) [ADTSMW67RV](#) [B3F-3123](#) [B3F-6055A](#) [B3F-B32-01-KIT](#) [1977177-8](#) [1977266-1](#) [ADTS644KV](#) [ADTSA61RV](#) [ADTSA62KV](#) [ADTSA63NV](#) [ADTSA63RV](#) [ADTSM21NSVTR](#) [ADTSM32NVTR](#) [ADTSM61YVTR](#) [ADTSM63SVTR](#) [ADTSM644KVTR](#) [ADTSMW64RV](#) [ADTSMW69NV](#) [FSMRA4JHA04](#) [GS4.70F300QP](#) [3ESH9R](#) [506E00201](#) [MJTP1164TR](#) [3FTL600RAS](#) [3FTL640RAS](#) [Y96K132V0FPLFS](#) [101-TS5022T1601-EV](#) [5GSH92001](#) [KSJ0A231](#) [80SH LFG](#) [EVQ-P1D05K](#) [MJTP1162TR](#) [ADTSM63KV](#) [2-1977120-7](#) [TSJW-5.2-260-TR](#) [KMT011MNGJLHS](#) [ADTSA648RV](#) [70-201.0](#) [ADTSM62KSVTR](#) [ATA600VTR](#) [ADTSG66RV](#) [ADTS61NV](#) [ADTSM62KVTR](#) [ADTSM25KSVB](#)