



# SERIES TS SWITCHES

## SNAP ACTION SWITCHES - SUB-MINIATURE



### SPECIFICATIONS

Contact Rating:	0.3A @ 6VDC
Electrical Life:	50,000 cycles typical
Mechanical Life:	100,000 cycles
Insulation Resistance:	100M ohms minimum @ 100VDC
Dielectric Strength:	250 VAC for 60 seconds
Operating Temperature:	-25C to 85C
Storage Temperature:	-30C to 85C

### FEATURES & BENEFITS

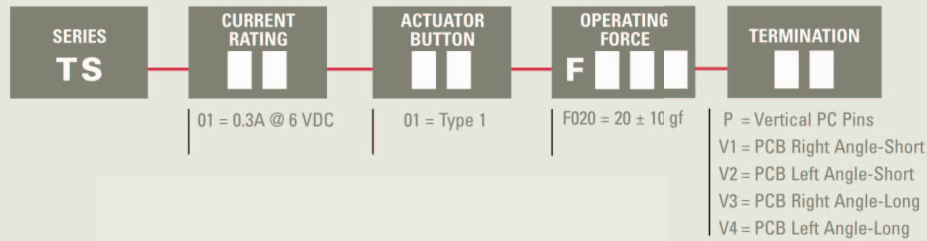
- ▶ Sub miniature snap action switch
- ▶ Vertical and right angle pc pin termination

### APPLICATIONS/MARKETS

- ▶ Security/detection
- ▶ Appliance
- ▶ Instrumentation
- ▶ Power tools



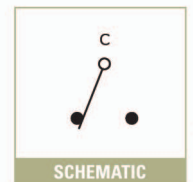
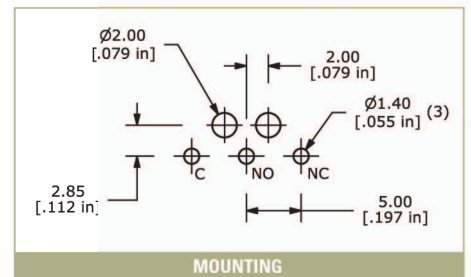
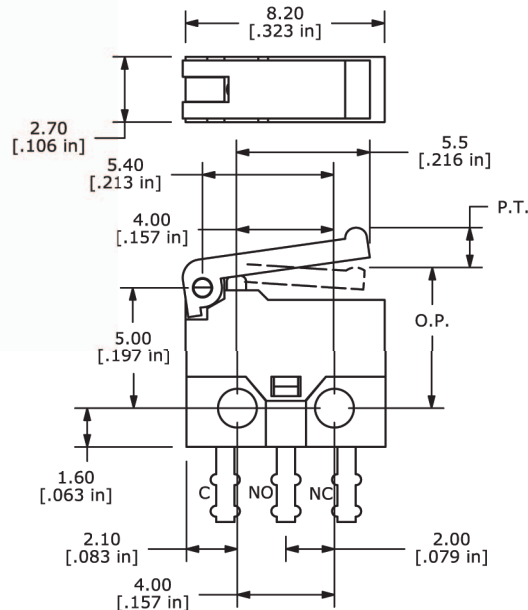
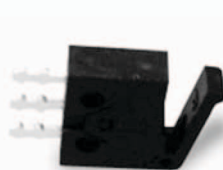
### HOW TO ORDER



### Example Ordering Number

TS-01-01-F020-V1

Specifications subject to change without notice.





# SERIES TS SWITCHES

## SNAP ACTION SWITCHES - SUB-MINIATURE

TACT  
SWITCHES

NAVIGATION  
SWITCHES

PUSHBUTTON  
SWITCHES

TOGGLE  
SWITCHES

ROCKER  
SWITCHES

SLIDE  
SWITCHES

SNAP-ACTION  
SWITCHES

DIP  
SWITCHES

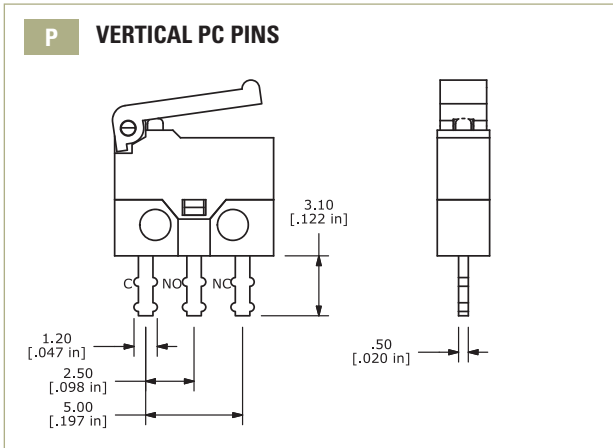
KEYLOCK  
SWITCHES

ROTARY  
SWITCHES

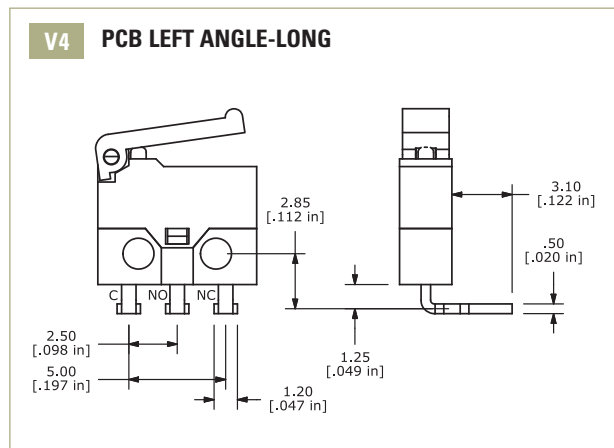
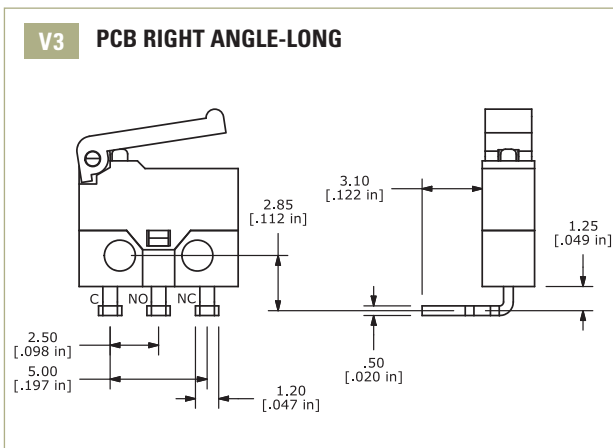
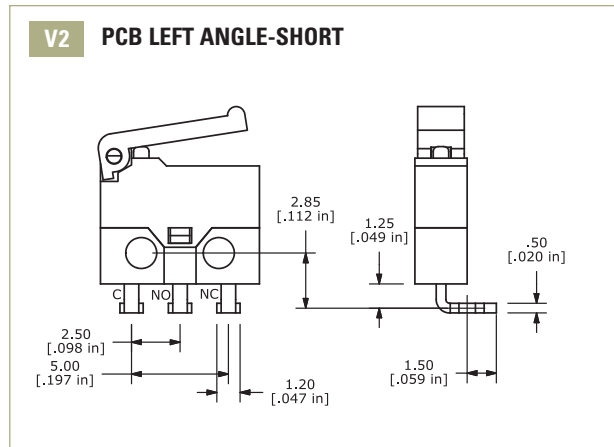
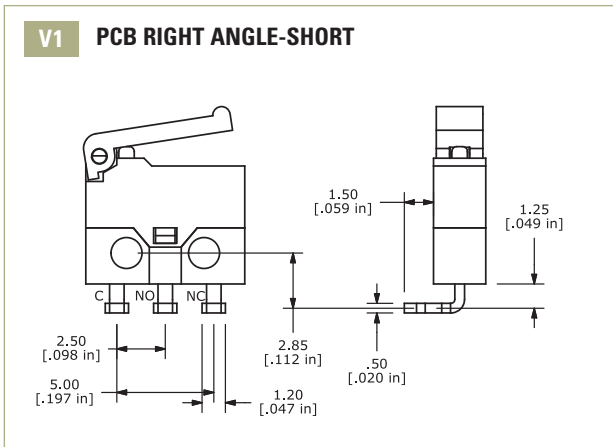
DETECTOR  
SWITCHES

CAP  
OPTIONS

### TERMINATION OPTIONS



ACTUATOR BUTTON	
Actuator	Operating Point
Type 1	6.7 ± 0.5



## X-ON Electronics

Largest Supplier of Electrical and Electronic Components

*Click to view similar products for [Basic / Snap Action Switches](#) category:*

*Click to view products by [E-Switch](#) manufacturer:*

Other Similar products are found below :

[5SM901-S12](#) [5SM9-S12N195](#) [01.098.1358.1](#) [602EN532](#) [602EN535-RB](#) [602HE5-RB1](#) [604HE162](#) [604HE223-6B](#) [624HE17-RB](#) [6HM82](#)  
[6HM89](#) [6SE1](#) [6SX1-H58](#) [70500216](#) [70599106](#) [MBD5B1](#) [MBH2731](#) [73-316-0012](#) [EXD-AR20](#) [79211923](#) [79218589](#) [7AS12](#)  
[MIL30126AB6BBMD4A12XAU](#) [ML-1155](#) [ML-1376](#) [831010C3.0](#) [831090C2.EL](#) [83131904](#) [84212012](#) [8AS239](#) [8HM73-3](#) [8SX26-H33](#)  
[914CE1-6G](#) [PL-100](#) [11SM1077-H4](#) [11SM1077-H58](#) [11SM1-TN107](#) [11SM405](#) [11SM8423-H2](#) [11SX37-T](#) [11SX48-H58](#) [11SM2442-T](#)  
[11SM76-T](#) [11SM77-H58](#) [11SM77-T](#) [11SM863-T](#) [11SM866](#) [A7CN-1M-1-LEFT](#) [A831700C7.0](#) [121EN187-R](#)