



SERIES TS SWITCHES

SNAP ACTION SWITCHES - SUB-MINIATURE



SPECIFICATIONS

Contact Rating:	0.3A @ 6VDC
Electrical Life:	50,000 cycles typical
Mechanical Life:	100,000 cycles
Insulation Resistance:	100M ohms minimum @ 100VDC
Dielectric Strength:	250 VAC for 60 seconds
Operating Temperature:	-25C to 85C
Storage Temperature:	-30C to 85C

FEATURES & BENEFITS

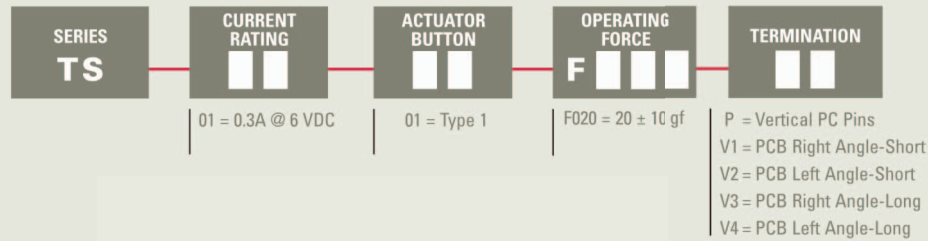
- ▶ Sub miniature snap action switch
- ▶ Vertical and right angle pc pin termination

APPLICATIONS/MARKETS

- ▶ Security/detection
- ▶ Appliance
- ▶ Instrumentation
- ▶ Power tools



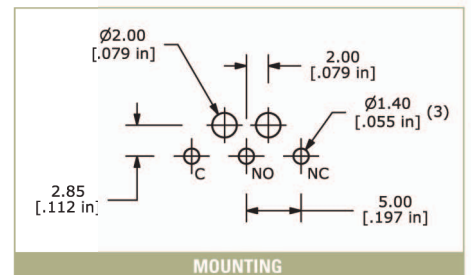
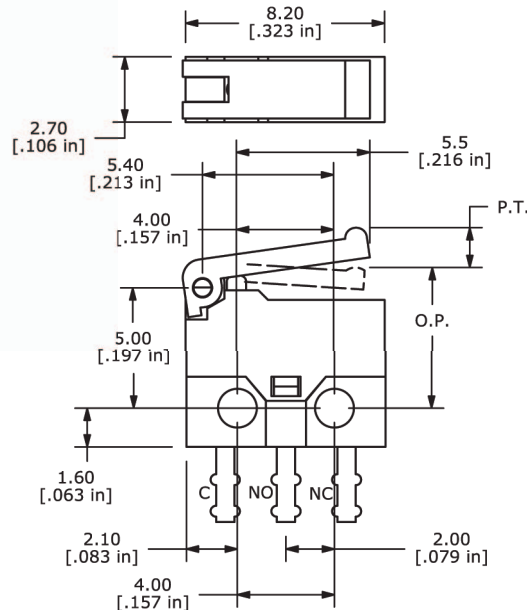
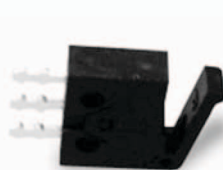
HOW TO ORDER



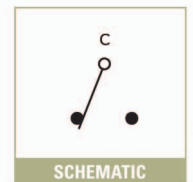
Example Ordering Number

TS-01-01-F020-V1

Specifications subject to change without notice.



MOUNTING



SCHEMATIC



SERIES TS SWITCHES

SNAP ACTION SWITCHES - SUB-MINIATURE

TACT
SWITCHES

NAVIGATION
SWITCHES

PUSHBUTTON
SWITCHES

TOGGLE
SWITCHES

ROCKER
SWITCHES

SLIDE
SWITCHES

SNAP-ACTION
SWITCHES

DIP
SWITCHES

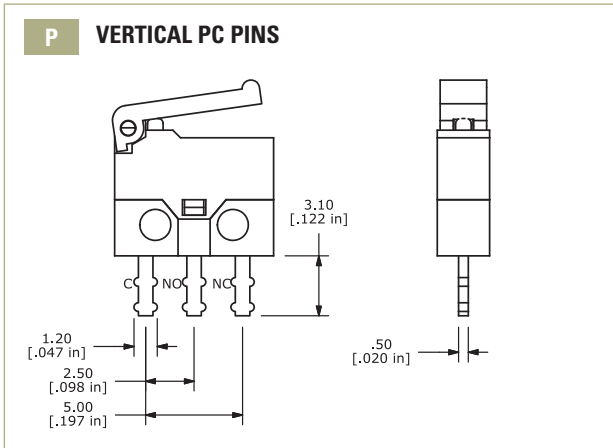
KEYLOCK
SWITCHES

ROTARY
SWITCHES

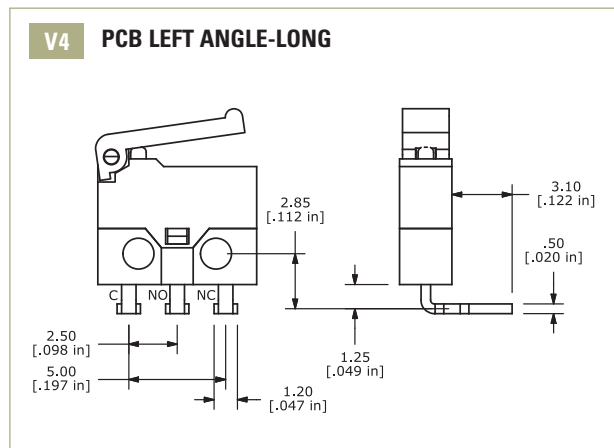
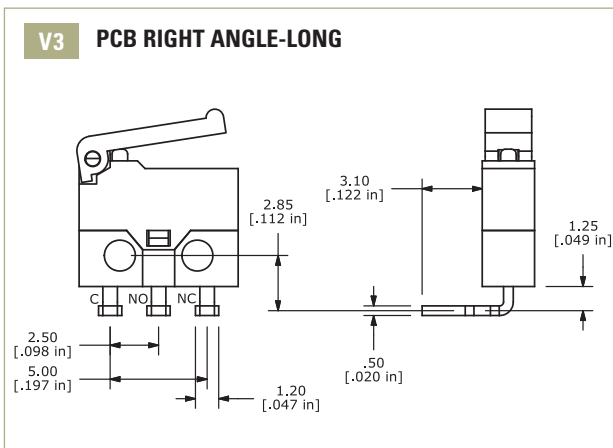
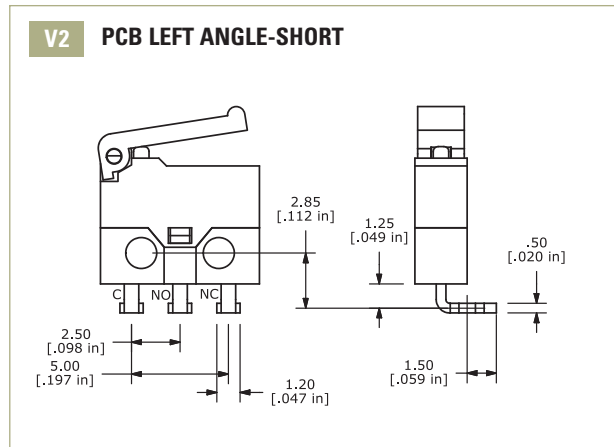
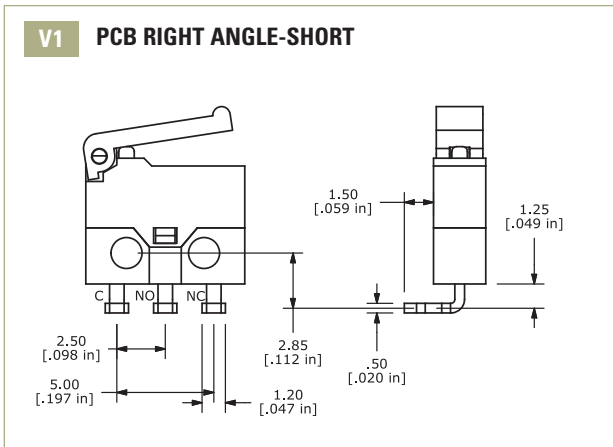
DETECTOR
SWITCHES

CAP
OPTIONS

TERMINATION OPTIONS



ACTUATOR BUTTON	
Actuator	Operating Point
Type 1	6.7 ± 0.5



X-ON Electronics

Largest Supplier of Electrical and Electronic Components

Click to view similar products for [Basic / Snap Action Switches](#) category:

Click to view products by [E-Switch](#) manufacturer:

Other Similar products are found below :

[5SM901-S12](#) [5SM9-S12N195](#) [01.098.1358.1](#) [602EN532](#) [602EN535-RB](#) [602HE5-RB1](#) [604HE162](#) [604HE223-6B](#) [624HE17-RB](#) [6HM82](#)
[6HM89](#) [6SE1](#) [6SX1-H58](#) [70500216](#) [70599106](#) [MBD5B1](#) [MBH2731](#) [73-316-0012](#) [EXD-AR20](#) [79211923](#) [79218589](#) [7AS12](#)
[MIL30126AB6BBMD4A12XAU](#) [ML-1155](#) [ML-1376](#) [831010C3.0](#) [831090C2.EL](#) [83131904](#) [84212012](#) [8AS239](#) [8HM73-3](#) [8SX26-H33](#)
[914CE1-6G](#) [PL-100](#) [11SM1077-H4](#) [11SM1077-H58](#) [11SM1-TN107](#) [11SM405](#) [11SM8423-H2](#) [11SX37-T](#) [11SX48-H58](#) [11SM2442-T](#)
[11SM76-T](#) [11SM77-H58](#) [11SM77-T](#) [11SM863-T](#) [11SM866](#) [A7CN-1M-1-LEFT](#) [A831700C7.0](#) [121EN187-R](#)