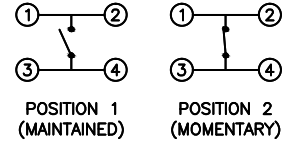


PACKAGING

PACKAGING TYPE:
Bulk

SCHEMATIC



SPECIFICATIONS

FUNCTION:
1P1T OFF-(ON)

RATINGS:
50mA 12VDC

OPERATING FORCE:
100±50gf

TRAVEL:
0.010+0.008/-0.004 [0.25+0.02/-0.1]

CONTACT RESISTANCE:
Initial: 100mΩ Max.

INSULATION RESISTANCE:
100MΩ Min. at 500VDC

DIELECTRIC STRENGTH:
250VAC For 1 Minute

ELECTRICAL LIFE:
200,000 Cycles

SHOCK RESISTANCE:
Mil-Std. 202F, Method 213B

VIBRATION RESISTANCE:
Mil-Std. 202F, Method 201A

TEMPERATURE:
Operating: -25°C to 70°C
Storage: -30°C to 80°C

APPROVALS:

RoHS LEAD FREE
COMPLIANT PROCESS COMPATIBLE

MATERIALS

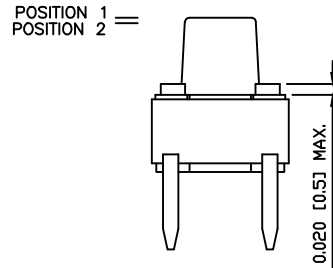
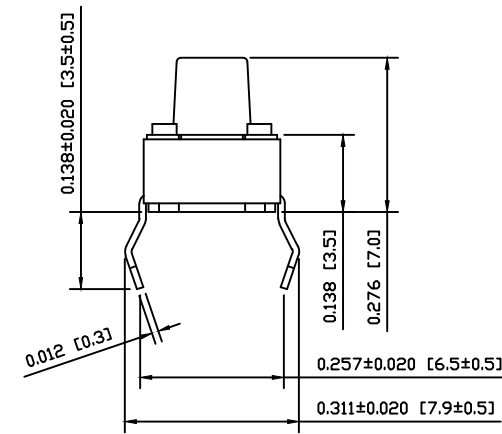
BASE:
Polyamide 9T (PA9T), UL94 V-0

COVER:
Stainless Steel

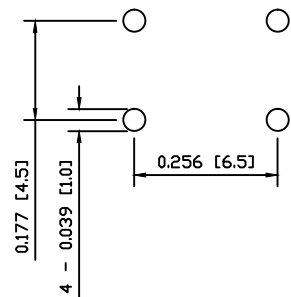
ACTUATOR:
Polyamide 9T (PA9T), UL94 V-0

CONTACTS:
Silver Clad Phosphor Bronze

TERMINALS:
Silver Plated Brass



SUGGESTED PCB LAYOUT



ACTUATOR	A	10/03/08	CAB
BODY	A	10/03/17	CAB
COLORS	A	10/03/17	CAB
MATERIALS	A	10/03/08	CAB
PACKAGING	A	10/03/08	CAB
SPECIFICATIONS	A	10/03/17	CAB
REFERENCE	REV.	DATE	BY

THE INFORMATION CONTAINED IN THIS DOCUMENT IS PROPRIETARY TO E-SWITCH AND IS NOT TO BE COPIED OR TRANSFERRED.

REV.	A	INITIAL RELEASE	19566	11/01/06	CAB
		DESCRIPTION	PCR	DATE	DRAWN BY

DIMENSIONS	
INCHES	[MILLIMETERS]
GENERAL TOLERANCES	
±0.008 [±0.2] / ±1°	
SCALE	PROJECTION
DRAWING NOT TO SCALE	1st Angle

TITLE			
TS-7.0-100			
ITEM NUMBER	DATE	REVISION	
06-TS70100	JANUARY 6, 2011	A	

X-ON Electronics

Largest Supplier of Electrical and Electronic Components

Click to view similar products for [Tactile Switches](#) category:

Click to view products by [E-Switch](#) manufacturer:

Other Similar products are found below :

[5GTH92001](#) [5GTH9202242](#) [1-1977120-4](#) [ADTSA62RV](#) [ADTSA63KV](#) [ADTSA644NV](#) [ADTSMW66NV](#) [ADTSMW67RV](#) [B3F-3123](#) [B3F-6055A](#) [B3F-B32-01-KIT](#) [1977177-8](#) [1977266-1](#) [ADTS644KV](#) [ADTSA61RV](#) [ADTSA62KV](#) [ADTSA63NV](#) [ADTSA63RV](#) [ADTSM21NSVTR](#) [ADTSM32NVTR](#) [ADTSM61YVTR](#) [ADTSM63SVTR](#) [ADTSM644KVTR](#) [ADTSMW64RV](#) [ADTSMW69NV](#) [FSMRA4JHA04](#) [GS4.70F300QP](#) [3ESH9R](#) [506E00201](#) [MJTP1164TR](#) [3FTL600RAS](#) [3FTL640RAS](#) [Y96K132V0FPLFS](#) [101-TS5022T1601-EV](#) [5GSH92001](#) [KSJ0A231](#) [80SH LFG](#) [EVQ-P1D05K](#) [MJTP1162TR](#) [ADTSM63KV](#) [2-1977120-7](#) [TSJW-5.2-260-TR](#) [KMT011MNGJLHS](#) [ADTSA648RV](#) [70-201.0](#) [ADTSM62KSVTR](#) [ATA600VTR](#) [ADTSG66RV](#) [ADTS61NV](#) [ADTSM62KVTR](#) [ADTSM25KSVB](#)