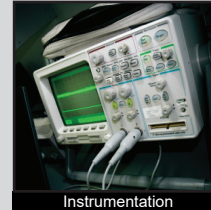
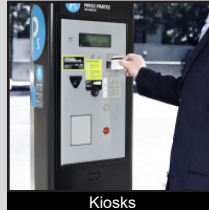
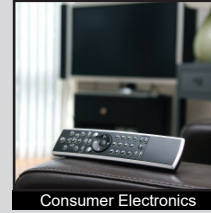


# ULP SERIES PUSHBUTTON SWITCH

ANTI-VANDAL SWITCHES  
DETECTOR SWITCHES  
DIP SWITCHES  
KEYLOCK SWITCHES  
NAVIGATION SWITCHES  
PUSHBUTTON SWITCHES  
ROCKER SWITCHES  
ROTARY SWITCHES  
SLIDE SWITCHES  
SNAP ACTION SWITCHES  
TACTILE SWITCHES  
TOGGLE SWITCHES  
CAP OPTIONS



## APPLICATIONS / MARKETS



**RoHS**

## SPECIFICATIONS

**Electrical Rating:** Silver: .5A @ 25VDC  
Gold: 0.1A Max @ 28VDC  
**Electrical Life:** 200,000 Cycles  
**Contact Resistance:** Silver: 50mΩ Max. initial  
Gold: 100mΩ Max. initial  
**Insulation Resistance:** 100 MΩ Min. @ 500VDC  
**Dielectric Strength:** 1,000VAC  
**Operating/Storage Temperature:** -40°C to 85°C  
**Travel:** 2.20mm  
**Contact Arrangement:** SPDT, DPDT  
**Actuation Force:** SPDT: 200gf; DPDT: 300 gf  
**Panel Thickness:** 0.75-3.0mm (panel mount version only)

## FEATURES & BENEFITS

- Single pole or double pole functions
- Multiple color options including RGB color
- Multiple cap color and style options
- PC pin or solder lug termination
- Latching or momentary options
- Gold or silver contact material

## PART NUMBER CONFIGURATOR

Series	Circuit Options	Mechanical Configuration Options	Termination Options	Contact Material Options	Cap Style Options	Cap Color Options	LED #1 Options	LED #2 Options
ULP	12- SPDT 22 - DPDT	EE - Latching OA - Momentary	P1 - PC Pins M1- Solder Lug	Q - Silver R - Gold	SS - Square Sculptured SF - Square Flat RF - Rectangular Flat PM - Panel Mount LS - Large Sculptured	CL1 - Clear Lens / White Diffuser OP1 - Black Opaque	NIL - No LED BLU - Blue GRN - Green RED - Red YEL - Yellow RGB - Red-Green-Blue	NIL - No LED BLU - Blue GRN - Green RED - Red YEL - Yellow

**NOTES:**

- 1) M1 Termination is only available with Panel Mount Cap Style
- 2) P1 Termination is not available with Panel Mount cap Style
- 3) OP1 Cap Color (black opaque) is not available with LEDs
- 4) When ordering RGB LED option, no designation is required for LED#2

Specifications subject to change without notice 6.27.2019



**E-SWITCH®**

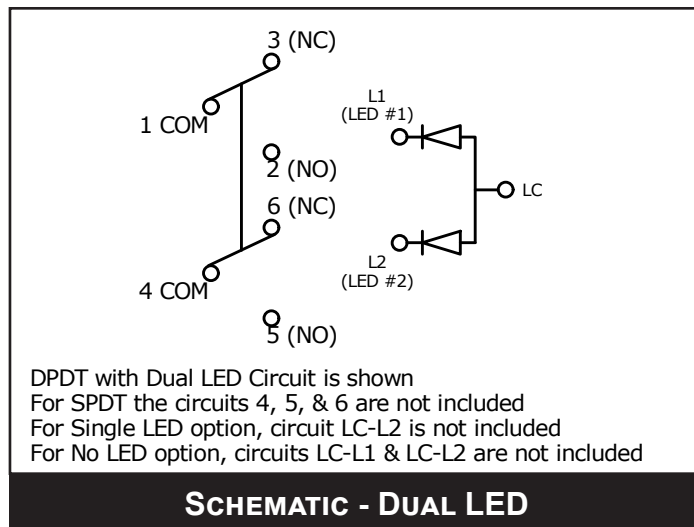
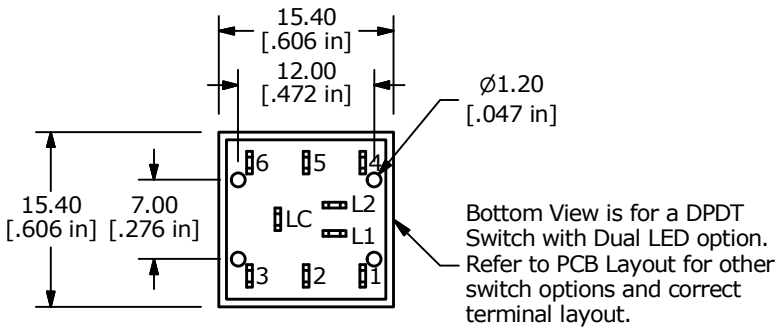
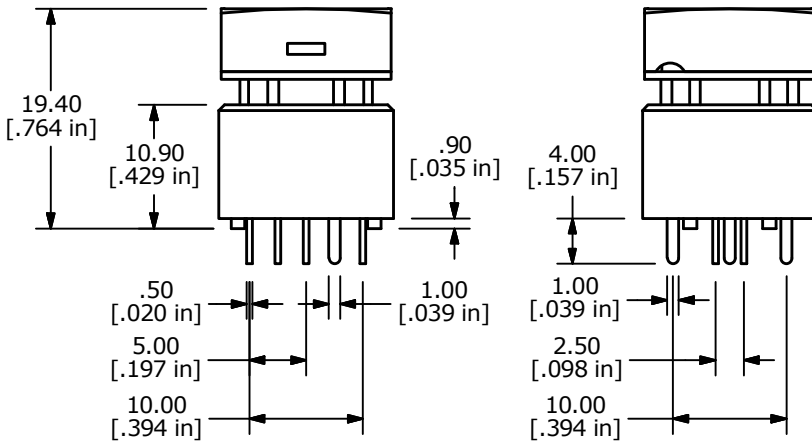
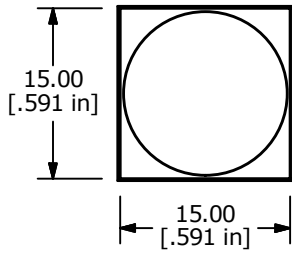
www.e-switch.com

800.867.2717

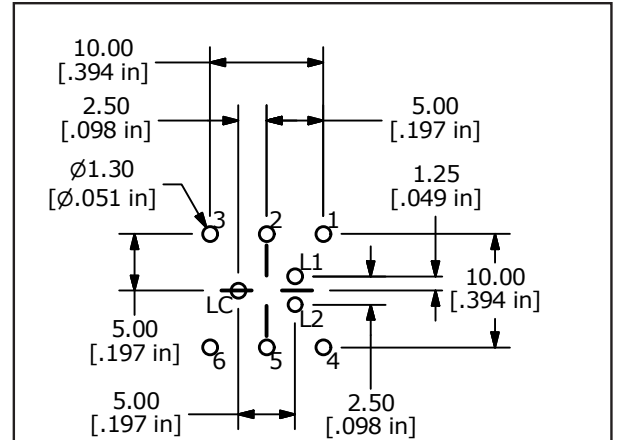
1

# ULP SERIES PUSHBUTTON SWITCH

## ACTUATOR OPTIONS - SQUARE SCULPTURED

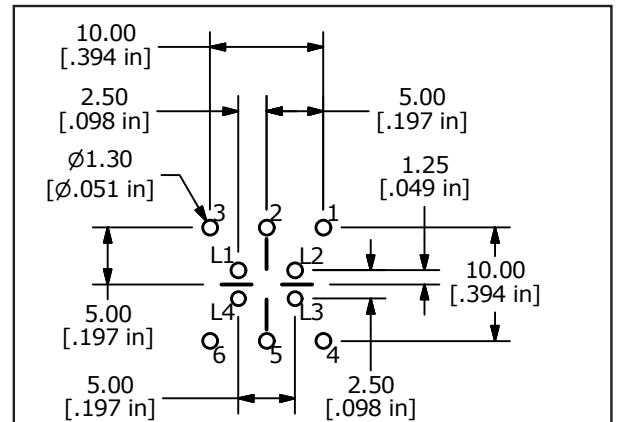


**SCHEMATIC - DUAL LED**



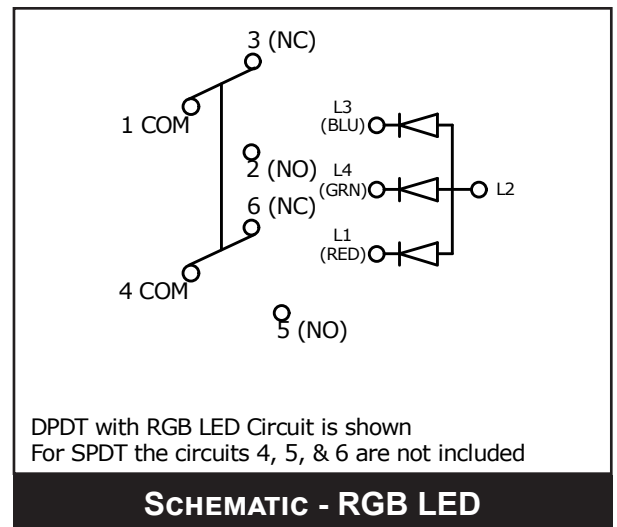
DPDT (ULP22) Layout is Shown  
For SPDT (ULP11) holes 4, 5, & 6 are not required.  
For Single LED option, hole L2 is not required  
For No LED option, holes L1, L2, & LC are not required

**PCB LAYOUT - DUAL LED**



DPDT (ULP22) Layout is Shown  
For SPDT (ULP11) holes 4, 5, & 6 are not required.

**PCB LAYOUT - RGB LED**



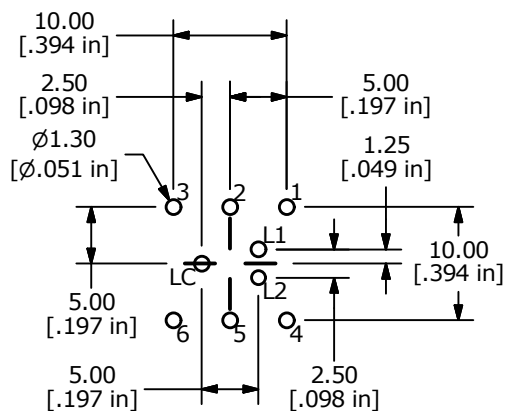
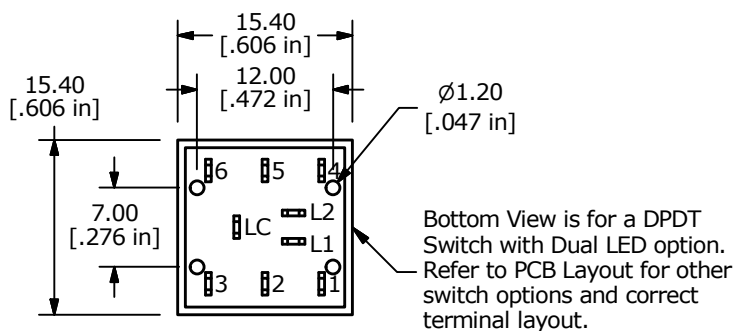
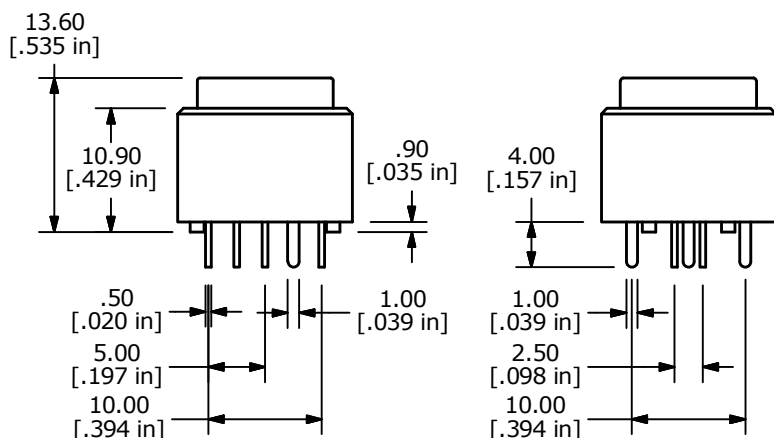
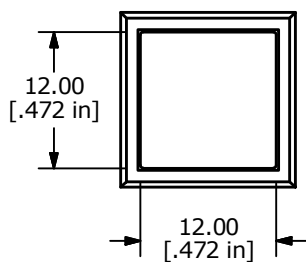
**SCHEMATIC - RGB LED**



ANTI-VANDAL SWITCHES  
DETECTOR SWITCHES  
DIP SWITCHES  
KEYLOCK SWITCHES  
NAVIGATION SWITCHES  
PUSHBUTTON SWITCHES  
ROCKER SWITCHES  
ROTARY SWITCHES  
SLIDE SWITCHES  
SNAP ACTION SWITCHES  
TACTILE SWITCHES  
TOGGLE SWITCHES  
CAP OPTIONS

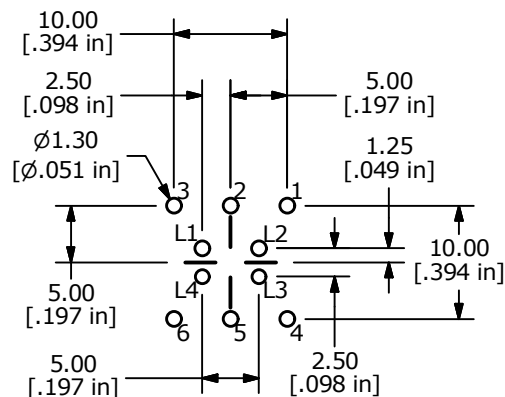
# ULP SERIES PUSHBUTTON SWITCH

## ACTUATOR OPTIONS - SQUARE FLAT



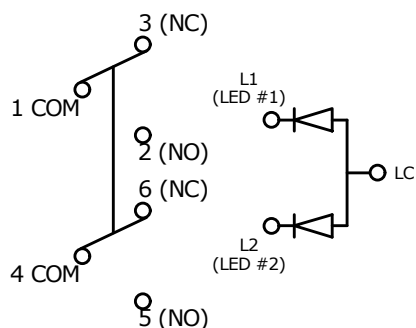
DPDT (ULP22) Layout is Shown  
 For SPDT (ULP11) holes 4, 5, & 6 are not required.  
 For Single LED option, hole L2 is not required  
 For No LED option, holes L1, L2, & LC are not required

### PCB LAYOUT - DUAL LED



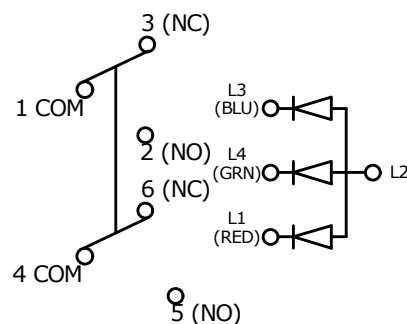
DPDT (ULP22) Layout is Shown  
 For SPDT (ULP11) holes 4, 5, & 6 are not required.

### PCB LAYOUT - RGB LED



DPDT with Dual LED Circuit is shown  
 For SPDT the circuits 4, 5, & 6 is not included  
 For Single LED option, circuit LC-L2 are not included  
 For No LED option, circuits LC-L1 & LC-L2 are not included

### SCHEMATIC - DUAL LED



DPDT with RGB LED Circuit is shown  
 For SPDT the circuits 4, 5, & 6 are not included

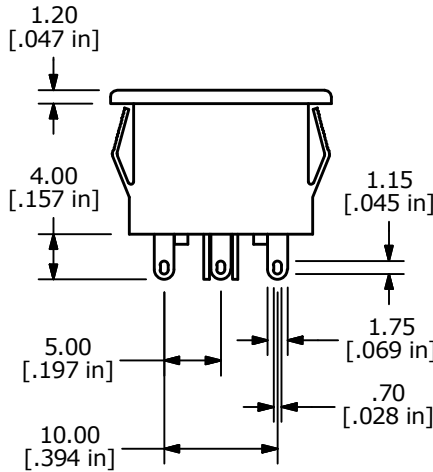
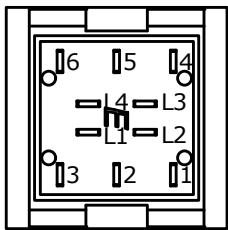
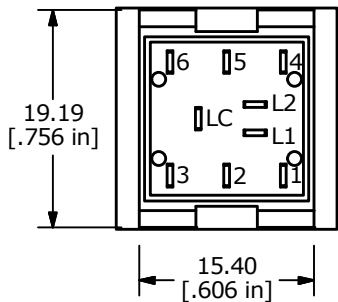
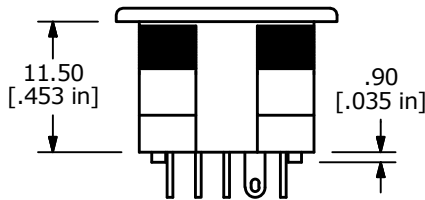
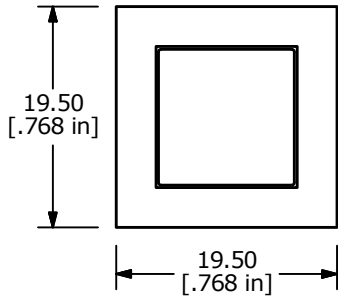
### SCHEMATIC - RGB LED





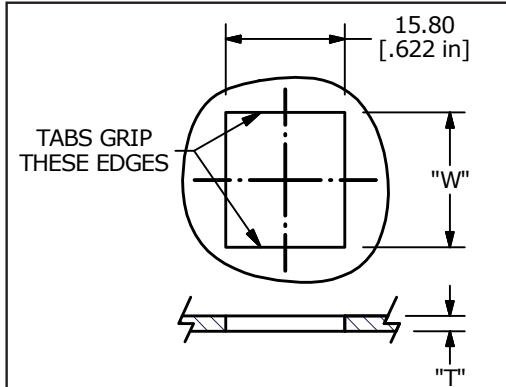
# ULP SERIES PUSHBUTTON SWITCH

## ACTUATOR OPTIONS - PANEL MOUNT



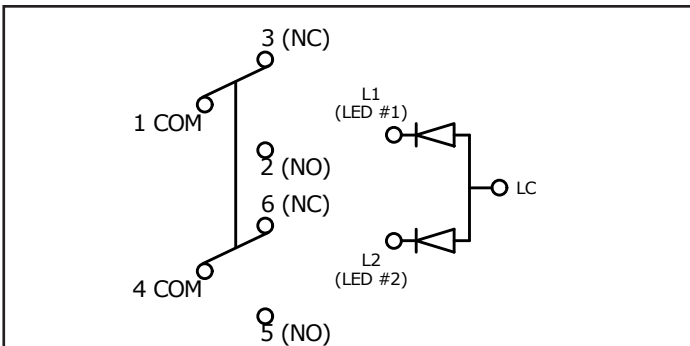
Bottom View of a DPDT Switch with Dual LED option. Refer to Schematic for one LED, zero LED, and SPST options for correct terminal layout.

Bottom View of a DPDT Switch with RGB LED option. Refer to Schematic for SPST option and correct terminal layout.



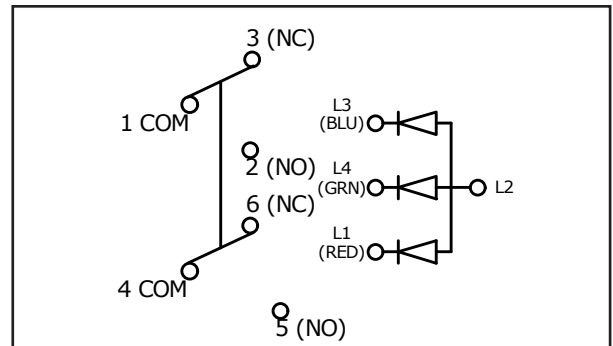
Panel Cut-out	
Dim "T"	Dim "W"
.75-1.25mm	17.6-17.8mm
1.25-2.0mm	17.8-18.0mm
2.0-3.0mm	18.0-18.2mm

### RECOMMENDED PANEL CUTOUT



DPDT with Dual LED Circuit is shown  
 For SPDT the circuits 4, 5, & 6 are not included  
 For Single LED option, circuit LC-L2 is not included  
 For No LED option, circuits LC-L1 & LC-L2 are not included

### SCHEMATIC - DUAL LED



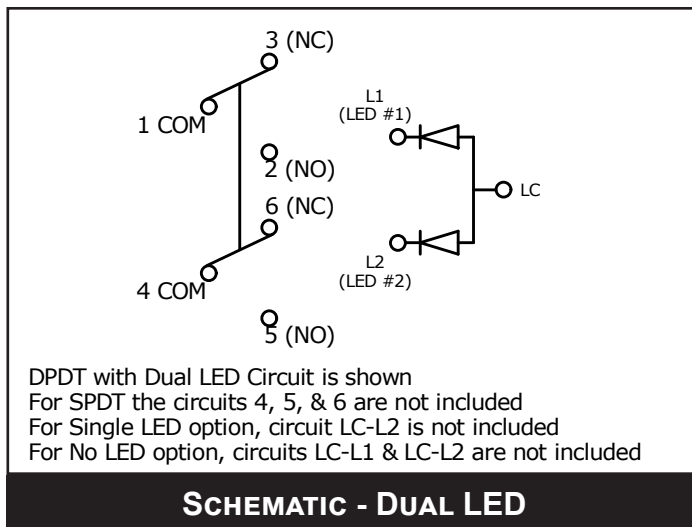
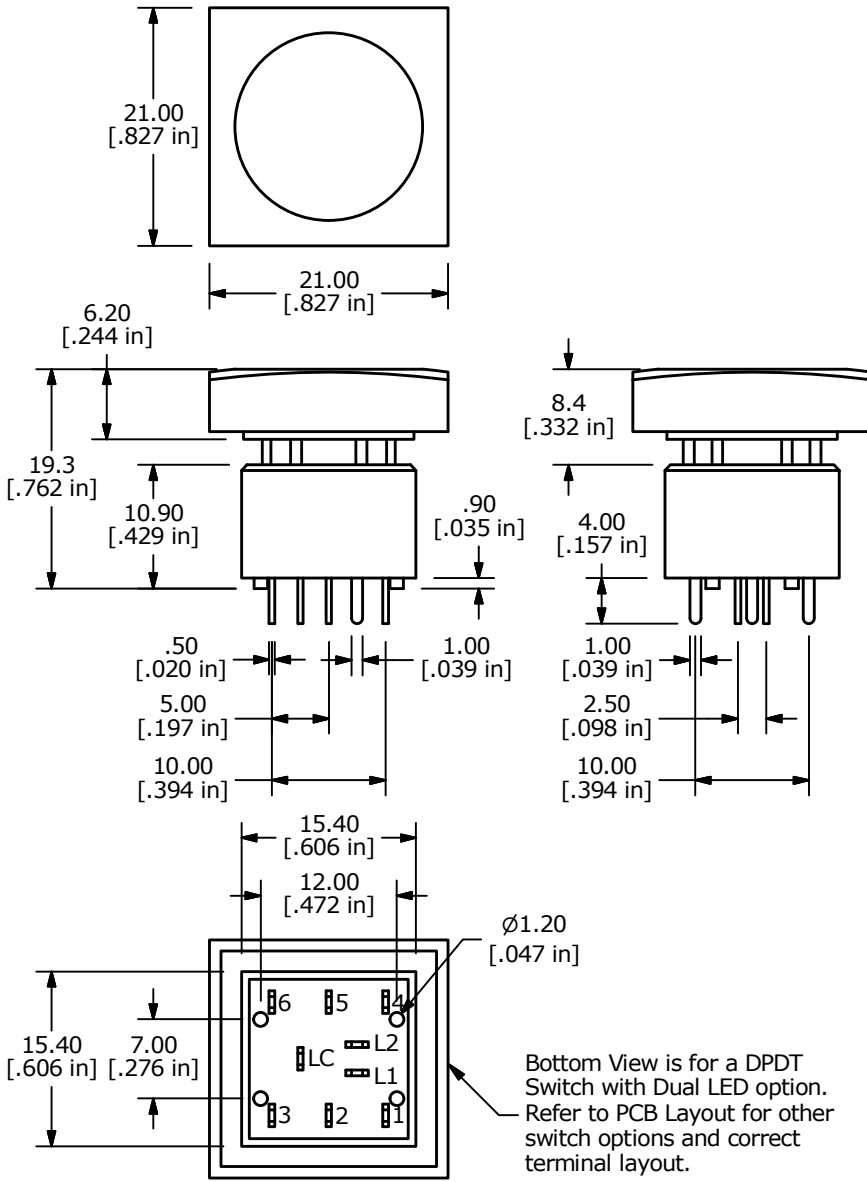
DPDT with RGB LED Circuit is shown  
 For SPDT the circuits 4, 5, & 6 are not included

### SCHEMATIC - RGB LED

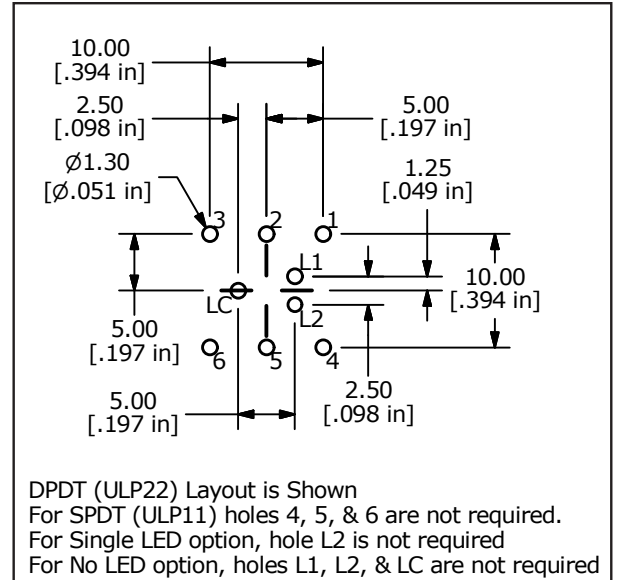


# ULP SERIES PUSHBUTTON SWITCH

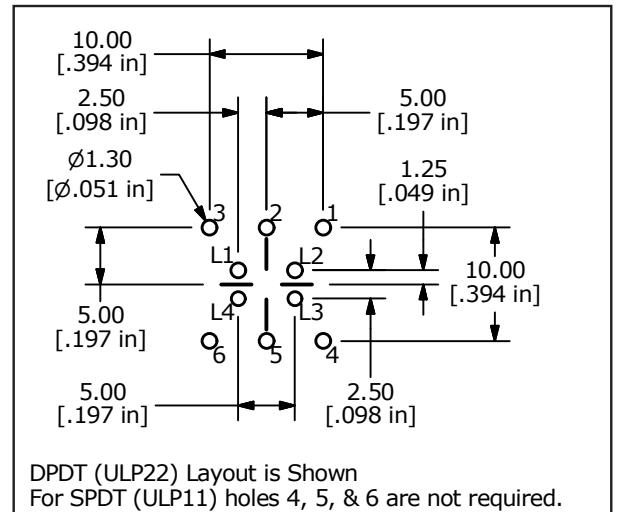
## ACTUATOR OPTIONS - LARGE SCULPTURED



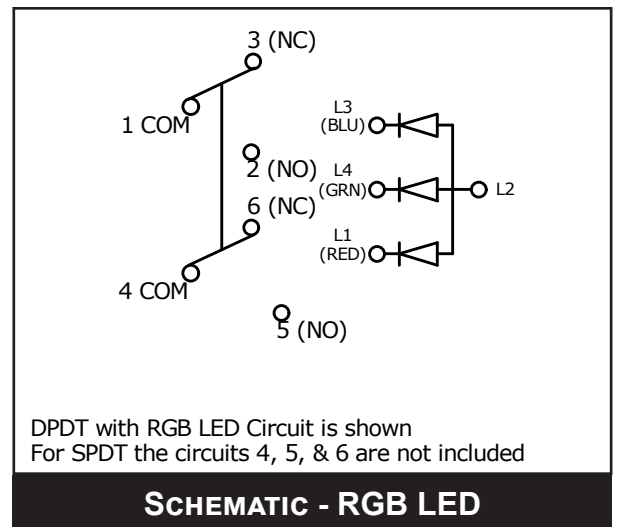
**SCHEMATIC - DUAL LED**



**PCB LAYOUT - DUAL LED**



**PCB LAYOUT - RGB LED**



**SCHEMATIC - RGB LED**



## X-ON Electronics

Largest Supplier of Electrical and Electronic Components

*Click to view similar products for [Pushbutton Switches](#) category:*

*Click to view products by [E-Switch](#) manufacturer:*

Other Similar products are found below :

[8940K2012](#) [LW1L-M1C10V-A](#) [LW1L-M1C70-A](#) [LW2L-A1C20M-GD](#) [LW2L-M1C20M-A](#) [60324L](#) [M22-D-R-GB0/K11](#) [M7E-HRN2](#)  
[67021K512](#) [67081K512X](#) [701PB580](#) [7190K101](#) [7199K101](#) [810K12910](#) [810KSV30B](#) [MML21EA2ADK](#) [MML21KA3ABK](#)  
[MML23KA3AC05K-001](#) [MML23KW3AA01W](#) [8418K2](#) [8442K3](#) [8450K1](#) [860K11911T01A](#) [861901](#) [861K11911T01A07](#)  
[861K13810T00A14](#) [861K13911](#) [8646AB6X718UL](#) [8646ABUL](#) [9001KXRK](#) [907AYY100](#) [PMHD155A1](#) [95-313.000](#)  
[9533CD4+U574+U4922](#) [95-414.000](#) [99-450.837](#) [99-453.837](#) [PV3H2B0NN-341](#) [1203MRA](#) [A22NZBGANGA](#) [A22NZBMMNGA](#)  
[A22NZBNANGA](#) [A22NZMPATRA](#) [A2PMA1X03EC56](#) [A3A-5123-02](#) [A3A-7140](#) [A3A-7310](#) [A3A-7340](#) [A3U-TMW-A2C-5M](#) [A595](#)