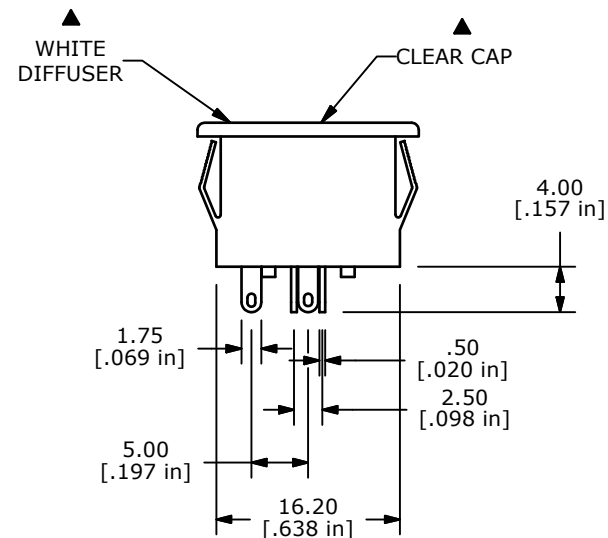
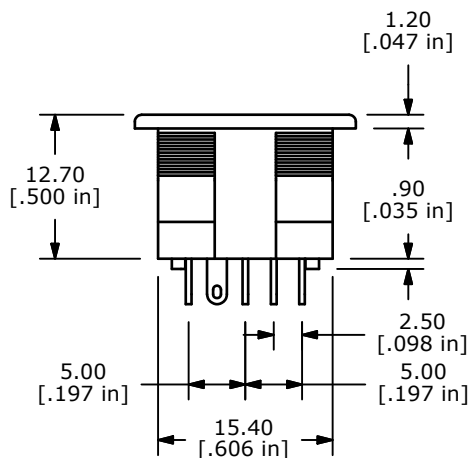
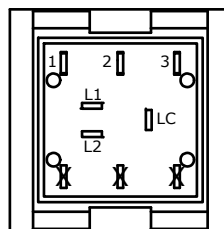


PANEL MOUNTING	
PANEL THICK	W
0.75 - 1.25	17.6 - 17.8
1.25 - 2.0	17.8 - 18.0
2.0 - 3.0	18.0 - 18.2

PANEL MOUNTING



1. ALL DIMENSIONS IN MM
2. GENERAL TOLERANCE: X.X=±0.4
X.XX=±0.25
3. TERM. NOS. FOR REFERENCE ONLY.
- ▲ 4. CONTACT RATING: 0.5A @ 100VAC
0.2A @ 250VAC
0.5A @ 25VDC
5. CONTACT MATERIAL: SILVER
6. ELECTRICAL LIFE: 200,000 Typical
7. MECHANICAL LIFE:
1,000,000 CYCLES TYP.
8. CONTACT RESISTANCE:
50 MILLI OHM INITIAL TYP. MAX.
9. DIELECTRIC STRENGTH:
1000 VAC FOR 1 MIN.
10. TRAVEL TO MAKE: 2.20mm ±0.2
11. OPERATING FORCE: 200 +/- 100 gf
12. OPERATING TEMPERATURE: -20° to +70°C
13. 2002/95/EC (ROHS) COMPLIANT
14. ▲ DENOTES CRITICAL PARAMETER
- ▲ 15. LED COLOR: RED: 3 CHIPS; 1.7VDC @20mA TYP.
GRN: 3 CHIPS; 2.1VDC @20mA TYP.



REV	PCR NO	DESCRIPTION	DATE	BY
H	19821	CORRECT TERMINAL CALL OUTS	04/06/11	BMA
G	19687	DRAWING UPDATES	02/18/11	BMA
F	18666	REVISE PANEL MOUNT DIMS	10/01/09	BLR

THE INFORMATION CONTAINED IN THIS DOCUMENT IS PROPRIETARY TO E-SWITCH AND IS NOT TO BE COPIED OR TRANSFERRED



TITLE ULP120AM1QPMCL1REDGRN

SCALE	DATE	DR	DWG	REV
1.5 : 1	10/1/2009	BLR	B810030	H

X-ON Electronics

Largest Supplier of Electrical and Electronic Components

Click to view similar products for [Pushbutton Switches](#) category:

Click to view products by [E-Switch](#) manufacturer:

Other Similar products are found below :

[8940K2012](#) [LW1L-M1C10V-A](#) [LW1L-M1C70-A](#) [LW2L-A1C20M-GD](#) [LW2L-M1C20M-A](#) [60324L](#) [M22-D-R-GB0/K11](#) [M7E-HRN2](#)
[67021K512](#) [67081K512X](#) [701PB580](#) [7190K101](#) [7199K101](#) [810K12910](#) [810KSV30B](#) [MML21EA2ADK](#) [MML21KA3ABK](#)
[MML23KA3AC05K-001](#) [MML23KW3AA01W](#) [8418K2](#) [8442K3](#) [8450K1](#) [860K11911T01A](#) [861901](#) [861K11911T01A07](#)
[861K13810T00A14](#) [861K13911](#) [8646AB6X718UL](#) [8646ABUL](#) [9001KXRK](#) [907AYY100](#) [PMHD155A1](#) [95-313.000](#)
[9533CD4+U574+U4922](#) [95-414.000](#) [99-450.837](#) [99-453.837](#) [PV3H2B0NN-341](#) [1203MRA](#) [A22NZBGANGA](#) [A22NZBMMNGA](#)
[A22NZBNANGA](#) [A22NZMPATRA](#) [A2PMA1X03EC56](#) [A3A-5123-02](#) [A3A-7140](#) [A3A-7310](#) [A3A-7340](#) [A3U-TMW-A2C-5M](#) [A595](#)