

# ULV4 SERIES ANTI-VANDAL SWITCH

ANTI-VANDAL SWITCHES  
DETECTOR SWITCHES  
DIP SWITCHES  
KEYLOCK SWITCHES  
NAVIGATION SWITCHES  
PUSHBUTTON SWITCHES  
ROCKER SWITCHES  
ROTARY SWITCHES  
SLIDE SWITCHES  
SNAP ACTION SWITCHES  
TACTILE SWITCHES  
TOGGLE SWITCHES  
CAP OPTIONS



## APPLICATIONS / MARKETS



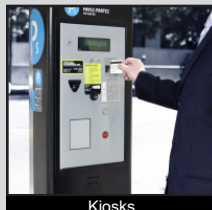
Audio / Visual



Security Devices



Industrial Controls



Kiosks



Electrical Housewares



Medical Equipment



RoHS

## SPECIFICATIONS

**Electrical Rating:** 3A, 125/250VAC  
**Mechanical Life:** 1,000,000 cycles (momentary); 500,000 cycles (latching)  
**Electrical Life:** 50,000 Cycles  
**Contact Resistance:** 50mΩ  
**Insulation Resistance:** 1000 MΩ @ 500VDC  
**Dielectric Strength:** 2,000VAC  
**Operating/Storage Temperature:** -20°C to 55°C  
**Travel:** 3.2mm  
**Moisture Protection:** IP67  
**Contact Arrangement:** SPDT or DPDT  
**Actuation Force:** Single Pole: 2.5N; Double Pole: 3.5N  
**Panel Thickness:** 1-10mm  
**Hex Nut Torque:** 5-14Nm  
**Mechanical Impact Protection:** IK08  
**Agency Approvals:** cURus

## FEATURES & BENEFITS

- 19mm diameter panel cutout
- Dot or ring or power illumination options available
- Multiple switch functions available
- Multiple illumination voltage options
- IP67 rated
- SPDT or DPDT
- UL Certified
- Custom graphics available
- Soldered wire leads (300mm long) optional

## PART NUMBER CONFIGURATOR

Series	Actuator	Terminal	Function	Body Finish	Actuator Finish	Contact Material	Lens Style	LED Color	Illumination Voltage
ULV4	F - Flat	2 - Solder W - Wire Leads 300mm long	3 - 1P ON-ON B - 1P ON-(ON)* G - 2P ON-ON H - 2P ON-(ON)*	N - Nickel Plated S - Stainless Steel 1 - Black Anodized	N - Nickel Plated S - Stainless Steel 1 - Black Anodized	None - Silver G - Gold	None - Non-Illuminated 2 - Dot Illumination 3 - Ring, moveable with actuator 5 - Power symbol	None - Non-Illuminated 0 - White 1 - Red 2 - Orange 3 - Green 4 - Blue 5 - Yellow G - Red / Green P - Green / Yellow	None - Non-Illuminated 1 - 3V 3 - 6V 4 - 12V 5 - 24V 6 - 110V 7 - 220V

**NOTES:**

\*( ) denotes function is momentary  
 Call us for custom graphic options 800-867-2717

Specifications subject to change without notice 3.19.2019



E-SWITCH®

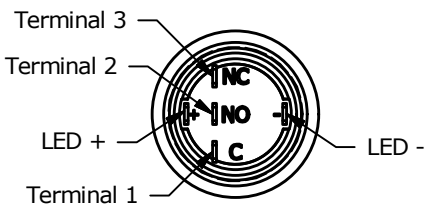
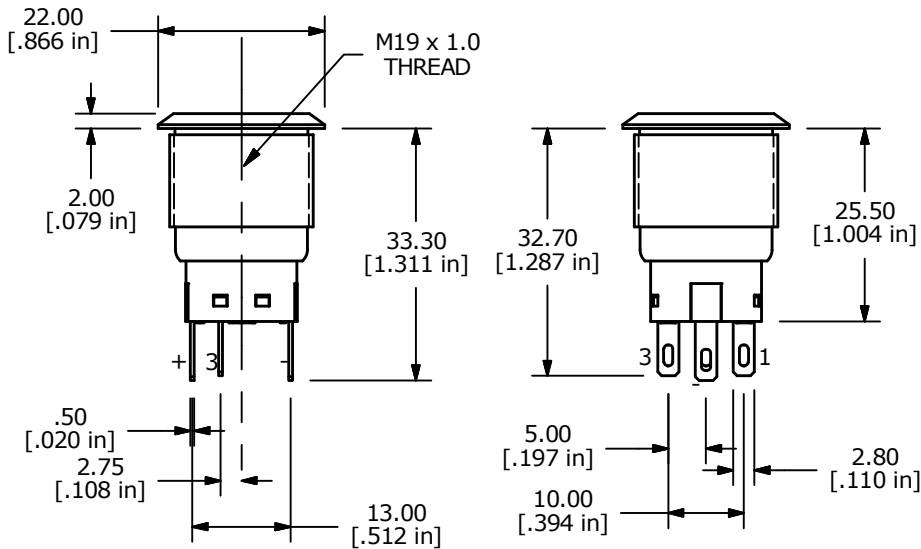
www.e-switch.com

800.867.2717

1

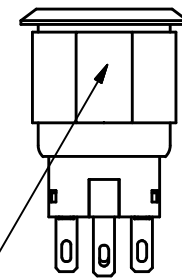
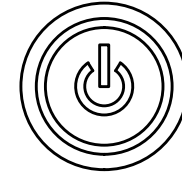
# ULV4 SERIES ANTI-VANDAL SWITCH

## BODY DIMENSIONS - SPDT

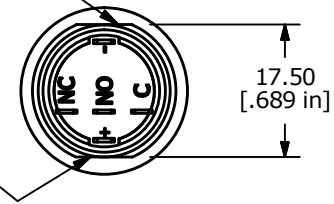


SPDT Illuminated Option Shown. The LED + and - terminals are not included on the non-illuminated options

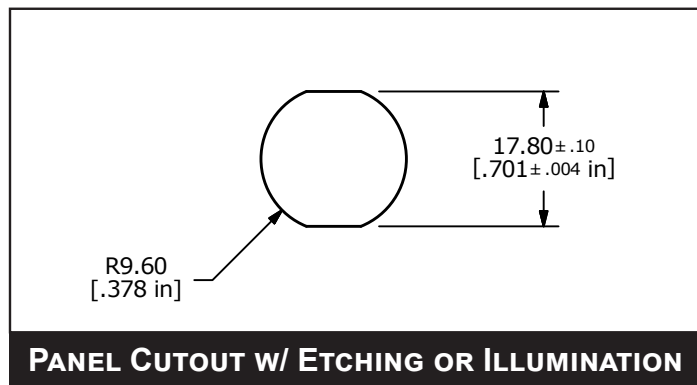
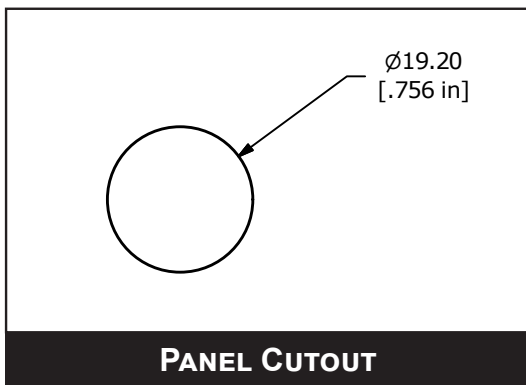
SPDT SWITCH DIMENSIONS



ORIENTATION FEATURE ON SWITCHES WITH GRAPHICS OR ILLUMINATED POWER SYMBOL



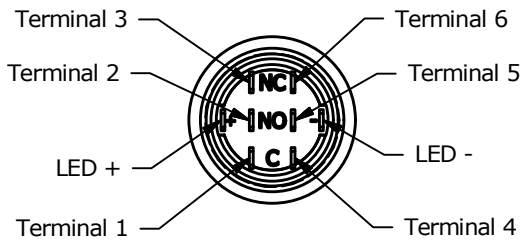
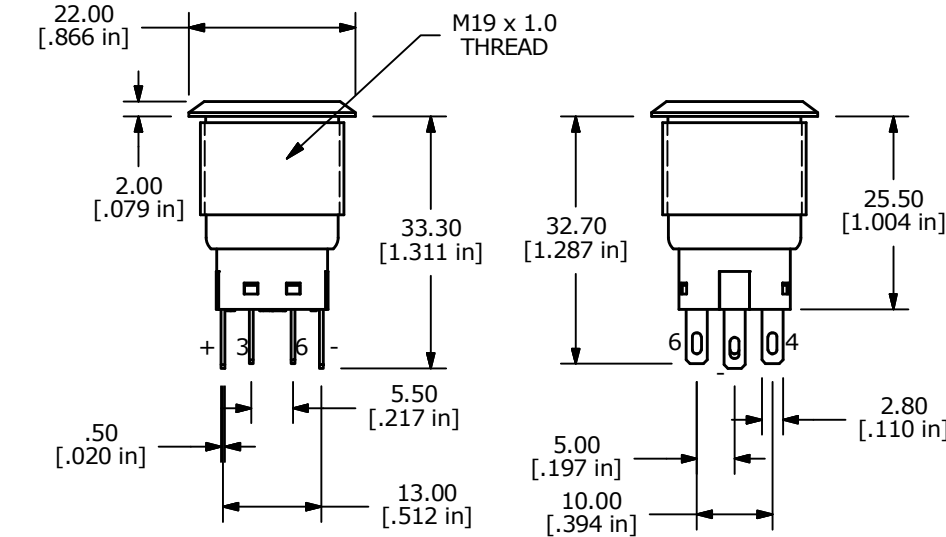
GRAPHIC OPTIONS



- ANTI-VANDAL SWITCHES
- DETECTOR SWITCHES
- DIP SWITCHES
- KEYLOCK SWITCHES
- NAVIGATION SWITCHES
- PUSHBUTTON SWITCHES
- ROCKER SWITCHES
- ROTARY SWITCHES
- SLIDE SWITCHES
- SNAP ACTION SWITCHES
- TACTILE SWITCHES
- TOGGLE SWITCHES
- CAP OPTIONS

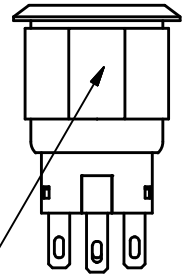
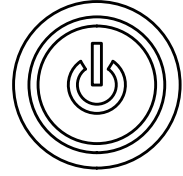
# ULV4 SERIES ANTI-VANDAL SWITCH

## BODY DIMENSIONS - DPDT

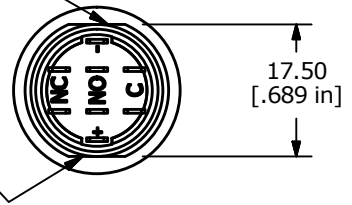


DPDT Illuminated Option Shown.  
The LED + and - terminals are not included on the non-illuminated options

DPDT SWITCH DIMENSIONS

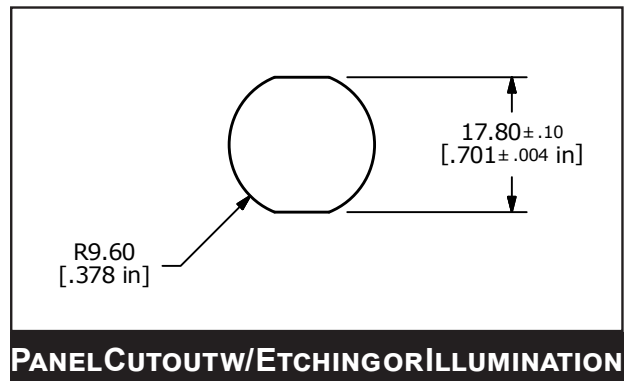
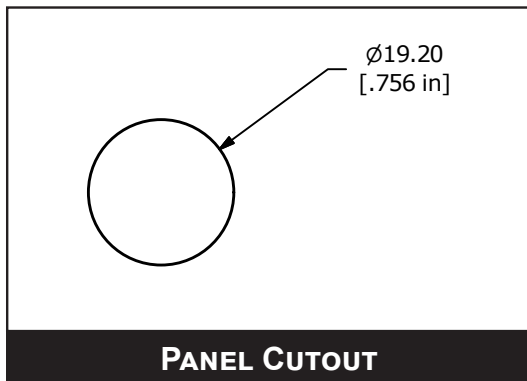


ORIENTATION FEATURE ON SWITCHES WITH GRAPHICS OR ILLUMINATED POWER SYMBOL



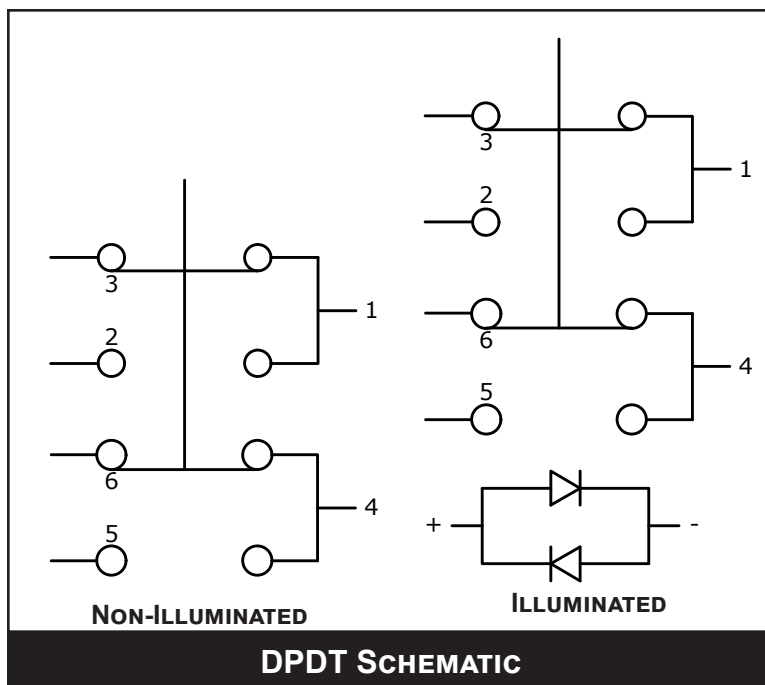
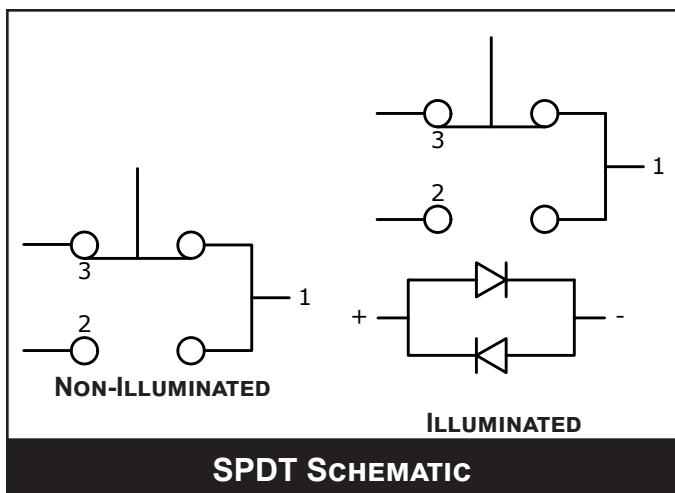
17.50 [.689 in]

GRAPHIC OPTIONS

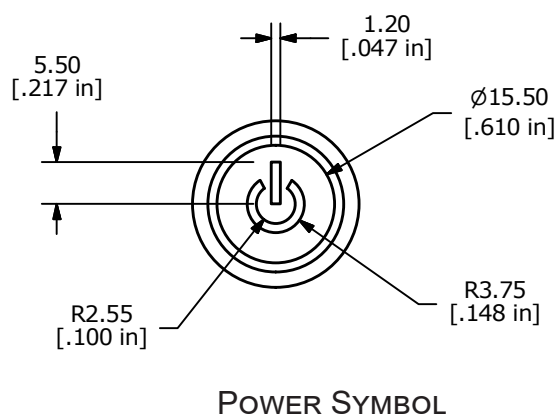
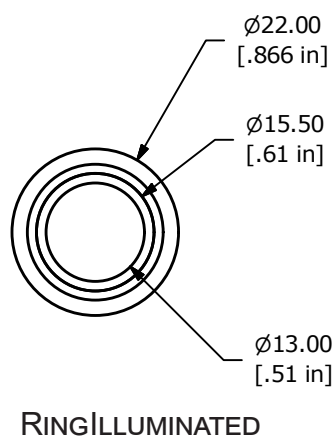
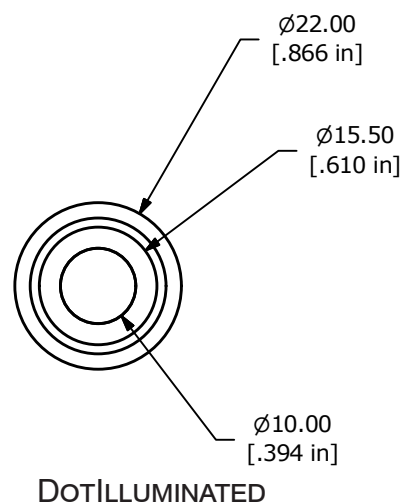
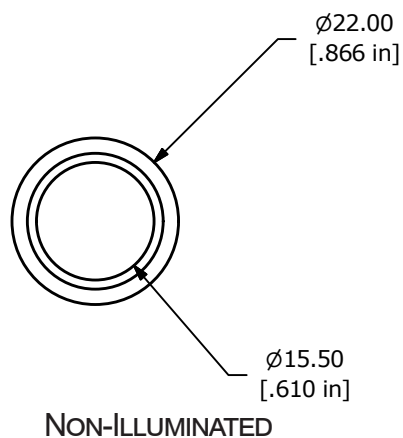


# ULV4 SERIES ANTI-VANDAL SWITCH

## SCHEMATICS



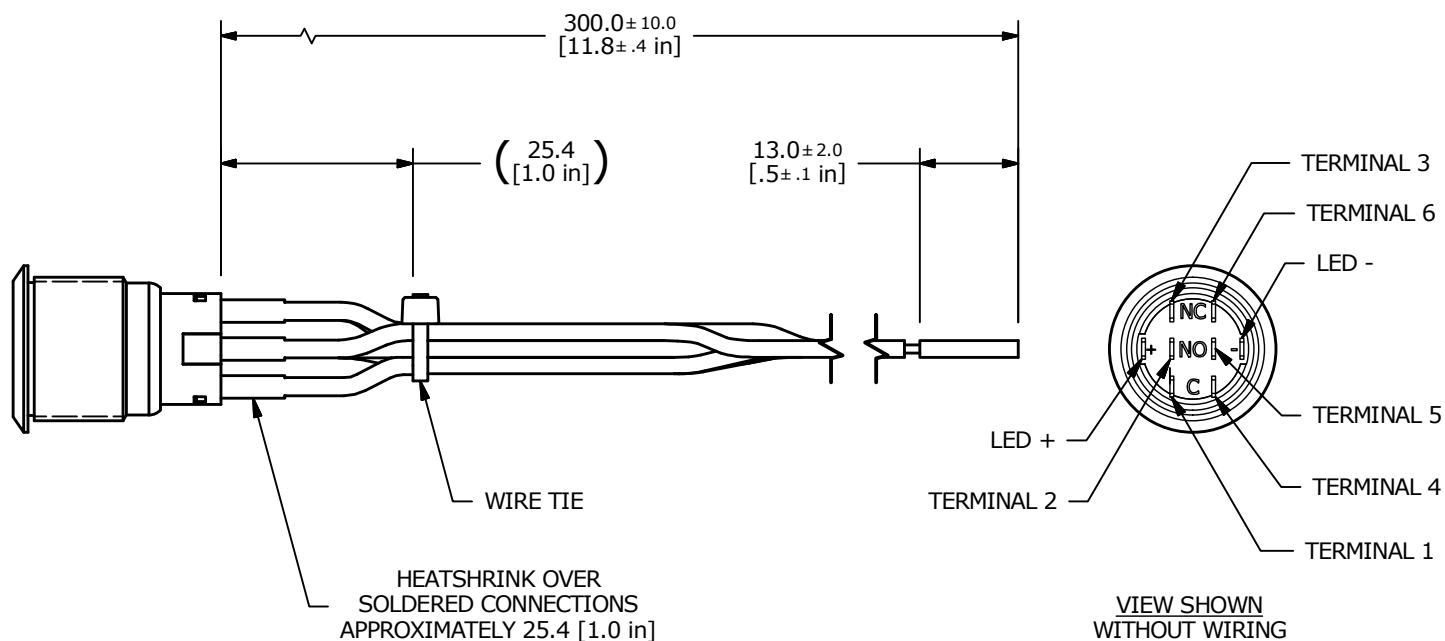
## ACTUATOR OPTIONS



## WIRE LEADS

SWITCH	WIRE	LENGTH
SW1-1	WIRE, 24AWG AWM UL1015, BLUE	300.0 [11.8 in]
SW1-2	WIRE, 24AWG AWM UL1015, PURPLE	300.0 [11.8 in]
SW1-3	WIRE, 24AWG AWM UL1015, GREEN	300.0 [11.8 in]
SW1-4	WIRE, 24AWG AWM UL1015, WHITE	300.0 [11.8 in]
SW1-5	WIRE, 24AWG AWM UL1015, ORANGE	300.0 [11.8 in]
SW1-6	WIRE, 24AWG AWM UL1015, YELLOW	300.0 [11.8 in]
SW1- (-)	WIRE, 24AWG AWM UL1015, BLACK	300.0 [11.8 in]
SW1- (+)	WIRE, 24AWG AWM UL1015, RED	300.0 [11.8 in]

\*\* WIRE LEADS PROVIDED ARE DEPENDANT ON THE FUNCTION SELECTED \*\*



## X-ON Electronics

Largest Supplier of Electrical and Electronic Components

*Click to view similar products for [Pushbutton Switches](#) category:*

*Click to view products by [E-Switch](#) manufacturer:*

Other Similar products are found below :

[8940K2012](#) [LW1L-M1C10V-A](#) [LW1L-M1C70-A](#) [LW2L-A1C20M-GD](#) [LW2L-M1C20M-A](#) [60324L](#) [M22-D-R-GB0/K11](#) [M7E-HRN2](#)  
[67021K512](#) [67081K512X](#) [701PB580](#) [7190K101](#) [7199K101](#) [810K12910](#) [810KSV30B](#) [MML21EA2ADK](#) [MML21KA3ABK](#)  
[MML23KA3AC05K-001](#) [MML23KW3AA01W](#) [8418K2](#) [8442K3](#) [8450K1](#) [860K11911T01A](#) [861901](#) [861K11911T01A07](#)  
[861K13810T00A14](#) [861K13911](#) [8646AB6X718UL](#) [8646ABUL](#) [9001KXRK](#) [907AYY100](#) [PMHD155A1](#) [95-313.000](#)  
[9533CD4+U574+U4922](#) [95-414.000](#) [99-450.837](#) [99-453.837](#) [PV3H2B0NN-341](#) [1203MRA](#) [A22NZBGANGA](#) [A22NZBMMNGA](#)  
[A22NZBNANGA](#) [A22NZMPATRA](#) [A2PMA1X03EC56](#) [A3A-5123-02](#) [A3A-7140](#) [A3A-7310](#) [A3A-7340](#) [A3U-TMW-A2C-5M](#) [A595](#)