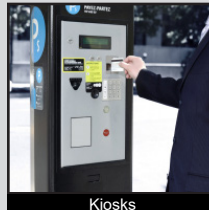


ULV7 SERIES ANTI-VANDAL SWITCH

ANTI-VANDAL SWITCHES
DETECTOR SWITCHES
DIP SWITCHES
KEYLOCK SWITCHES
NAVIGATION SWITCHES
PUSHBUTTON SWITCHES
ROCKER SWITCHES
ROTARY SWITCHES
SLIDE SWITCHES
SNAP ACTION SWITCHES
TACTILE SWITCHES
TOGGLE SWITCHES
CAP OPTIONS



APPLICATIONS / MARKETS



RoHS

SPECIFICATIONS

Electrical Rating: 3A, 125/250VAC
Mechanical Life: 1,000,000 cycles (momentary); 500,000 cycles (latching)
Electrical Life: 50,000 Cycles
Contact Resistance: 50mΩ Max. at 1A 12VDC
Insulation Resistance: 1,000MΩ min. @ 500 VDC
Dielectric Strength: 2,000V RMS at sea level
Operating/Storage Temperature: -20°C to 55°C
Travel: 3.2mm
Moisture Protection: IP67
Contact Arrangement: SPDT or DPDT
Actuation Force: SPDT: 2.5N; DPDT: 3.5N, Molded Back: SPDT & DPDT: 5.5N
Panel Thickness: 1-10mm
Hex Nut Torque: 5-14Nm
Mechanical Impact Protection: IK10 (Stainless)
Agency Approvals: cURus

FEATURES & BENEFITS

- 22mm diameter panel cutout
- Ring or Ring/Power symbol illumination
- Multiple switch functions available
- Multiple illumination voltage options
- IP67 rated
- SPDT or DPDT
- UL Certified
- Custom graphics available
- Soldered wire leads (300mm long) optional
- Detachable socket w/ wire leads (500mm long) optional
- Molded back w/ wire leads (500mm long) optional

PART NUMBER CONFIGURATOR

Series	Actuator	Terminal	Function	Body Finish	Actuator Finish	Contact Material	Lens Style	LED Color	Illumination Voltage	Graphic Options
ULV7	F - Flat	2 - Solder Lug W - Wire Leads 300mm long P - Detachable Socket w/ Wire Leads 500mm long M - Molded Back w/ Wire Leads 500mm long	3 - 1P ON-ON B - 1P ON-(ON)* G - 2P ON-ON H - 2P ON-(ON)*	S - Stainless Steel 1 - Black Anodized	S - Stainless Steel 1 - Black Anodized L - Silver for Graphic	None - Silver G - Gold	3 - Ring Illumination, movable with actuator 6 - Ring / Power Symbol Illumination, movable with actuator (Stainless Steel only) L - Graphic Illumination (Only Available with L Actuator Finish)	0 - White 1 - Red 2 - Orange 3 - Green 4 - Blue 5 - Yellow F - Red / Orange G - Red / Green H - Red / Blue J - Red / Yellow K - Orange / Green N - Blue / Green P - Green / Yellow Q - Blue / Yellow	1 - 3V 3 - 6V 4 - 12V 5 - 24V 6 - 110V 7 - 220V	L17 - Bluetooth L18 - Wifi L20 - START L21 - OFF L22 - ON L35 - STOP For more standard options reference the Graphic Options pages of Data Sheet

NOTES:
 * () denotes function is momentary
 Call us for custom graphic options 800-867-2717

Specifications subject to change without notice 12.16.2021



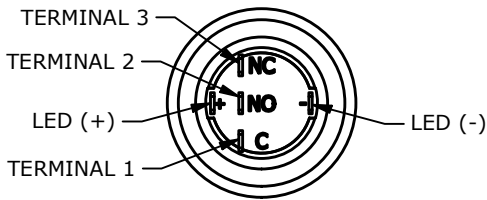
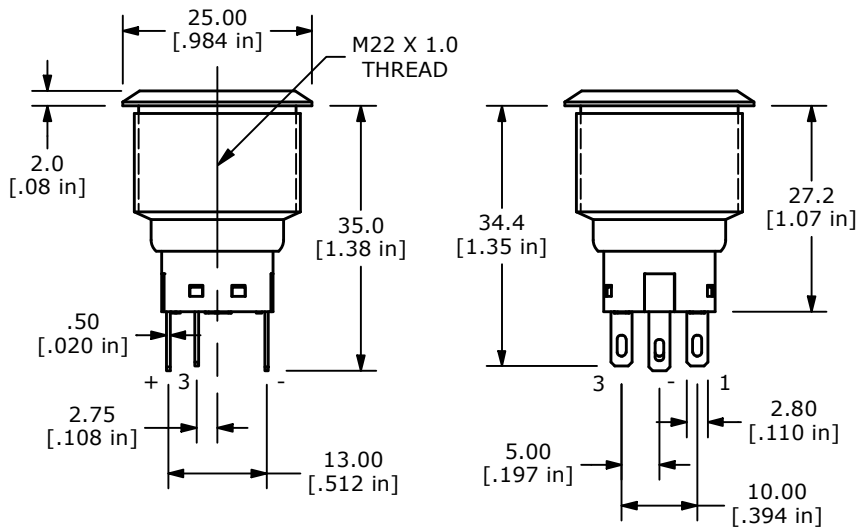
E-SWITCH®

www.e-switch.com

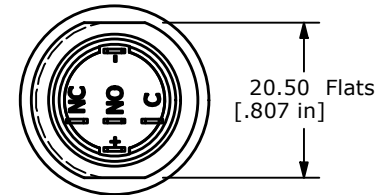
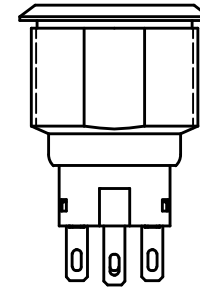
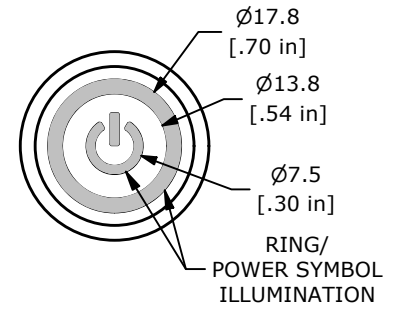
800.867.2717

ULV7 SERIES ANTI-VANDAL SWITCH

BODY DIMENSIONS - SPDT



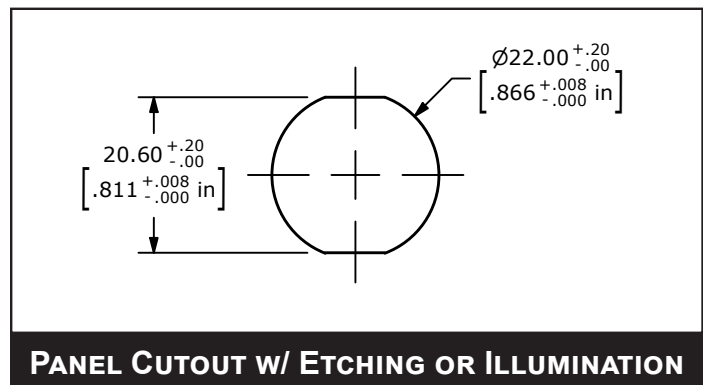
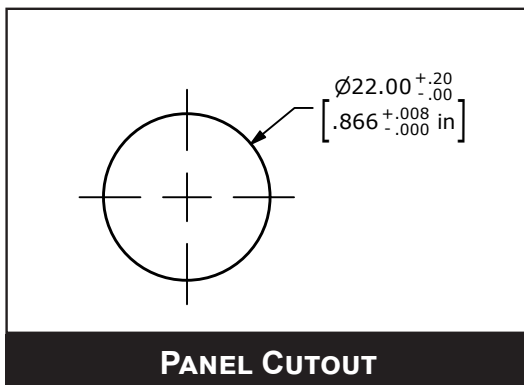
SPDT SWITCH DIMENSIONS



HOUSING WITH FLATS (SPDT OR DPDT) USED ON SWITCHES WITH RING/POWER SYMBOL OR OTHER CUSTOM GRAPHICS (SPDT SHOWN)

(SEE STANDARD SPDT OR DPDT DIMENSIONAL LAYOUT FOR OTHER DIMENSIONS)

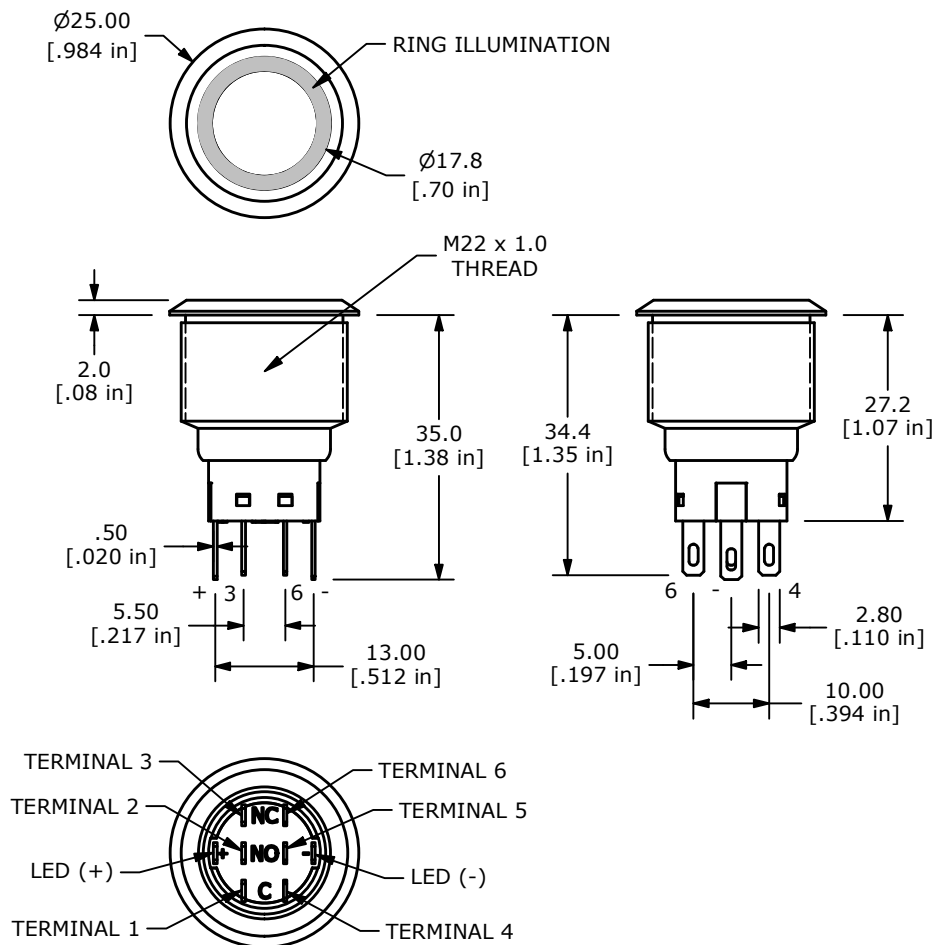
GRAPHIC OPTIONS



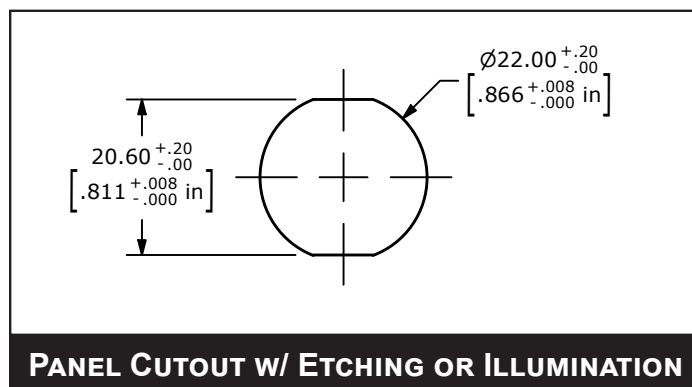
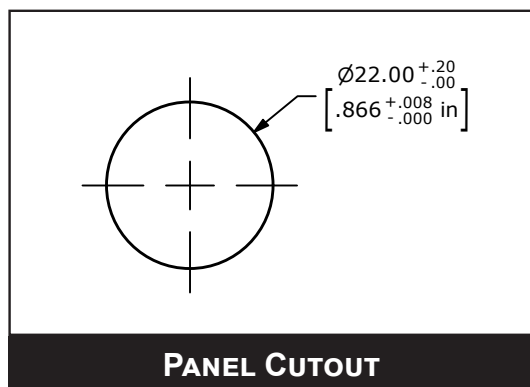
ANTI-VANDAL SWITCHES
DETECTOR SWITCHES
DIP SWITCHES
KEYLOCK SWITCHES
NAVIGATION SWITCHES
PUSHBUTTON SWITCHES
ROCKER SWITCHES
ROTARY SWITCHES
SLIDE SWITCHES
SNAP ACTION SWITCHES
TACTILE SWITCHES
TOGGLE SWITCHES
CAP OPTIONS

ULV7 SERIES ANTI-VANDAL SWITCH

BODY DIMENSIONS - DPDT

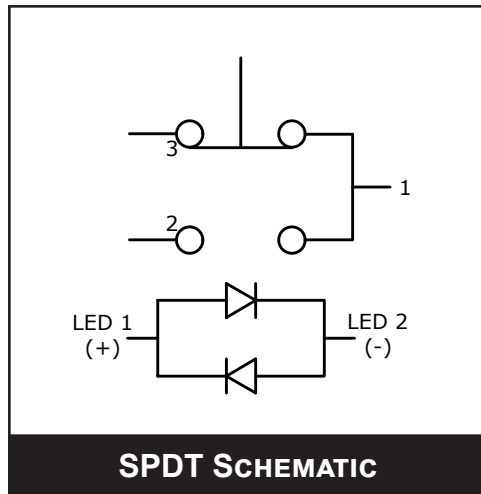


DPDT SWITCH DIMENSIONS

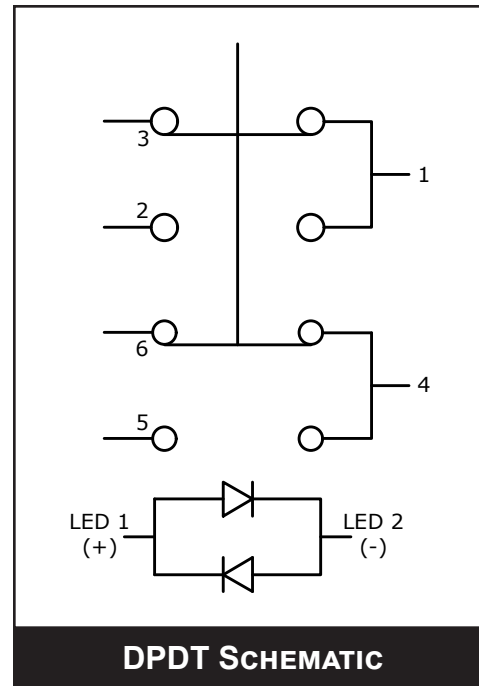


ULV7 SERIES ANTI-VANDAL SWITCH

SCHEMATICS

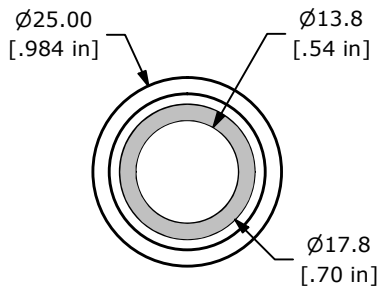


SPDT SCHEMATIC

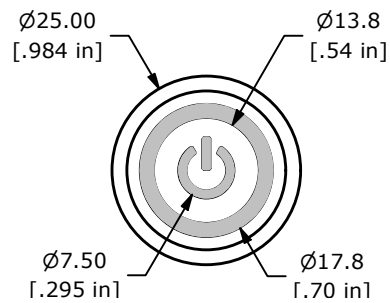


DPDT SCHEMATIC

ACTUATOR OPTIONS



RING ILLUMINATED



RING / POWER SYMBOL ILLUMINATED



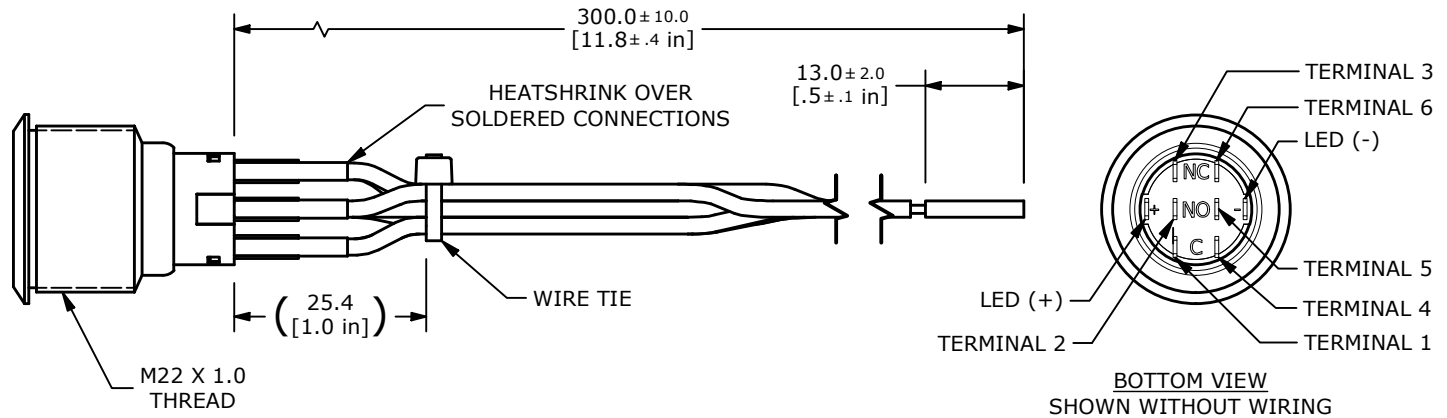
ULV7 SERIES ANTI-VANDAL SWITCH

WIRE OPTIONS

W - Wire Leads
300mm long

SWITCH	WIRE	LENGTH
SW1-1	WIRE, 24AWG AWM UL1015, BLUE	300.0 [11.8 in]
SW1-2	WIRE, 24AWG AWM UL1015, PURPLE	300.0 [11.8 in]
SW1-3	WIRE, 24AWG AWM UL1015, GREEN	300.0 [11.8 in]
SW1-4	WIRE, 24AWG AWM UL1015, WHITE	300.0 [11.8 in]
SW1-5	WIRE, 24AWG AWM UL1015, ORANGE	300.0 [11.8 in]
SW1-6	WIRE, 24AWG AWM UL1015, YELLOW	300.0 [11.8 in]
SW1- (-)	WIRE, 24AWG AWM UL1015, BLACK	300.0 [11.8 in]
SW1- (+)	WIRE, 24AWG AWM UL1015, RED	300.0 [11.8 in]

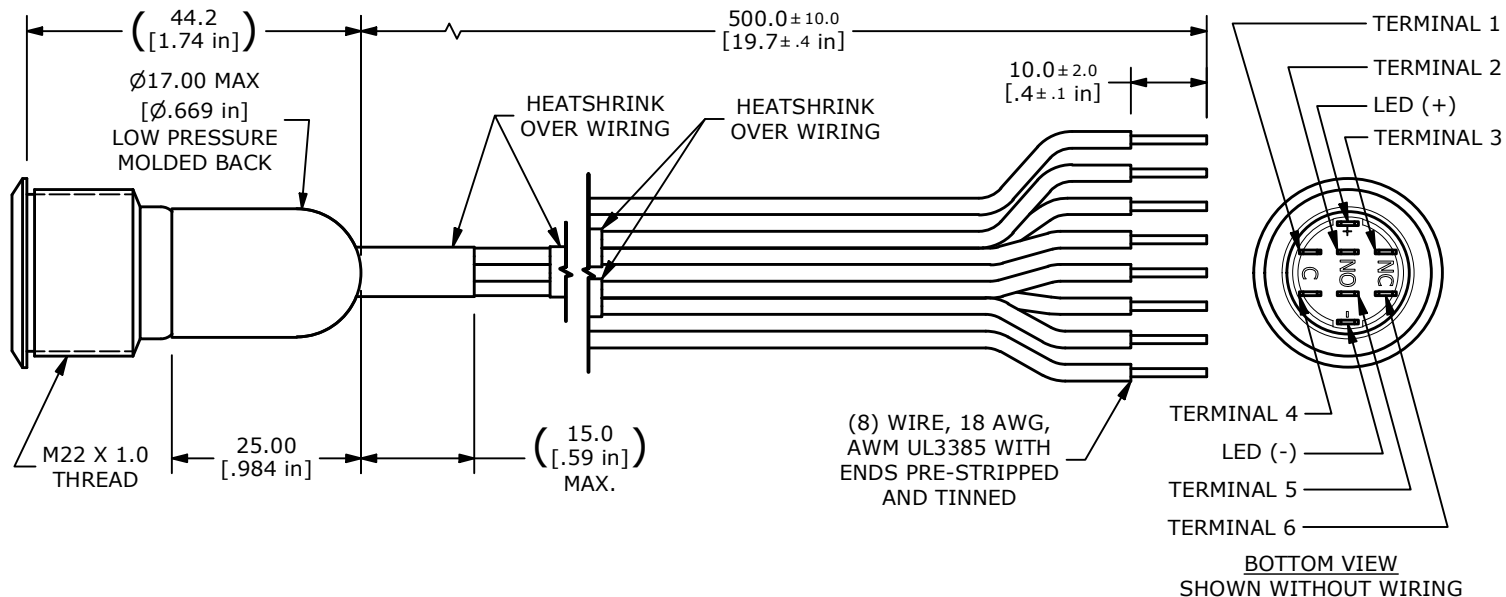
** WIRE LEADS PROVIDED ARE DEPENDENT ON THE FUNCTION SELECTED **



M - Molded Back
w/ Wire Leads
500mm long

SWITCH	WIRE	LENGTH
SW1-1	WIRE, 18 AWG AWM UL3385, YELLOW	500.0 [19.7 in]
SW1-2	WIRE, 18 AWG AWM UL3385, PURPLE	500.0 [19.7 in]
SW1-3	WIRE, 18 AWG AWM UL3385, GREEN	500.0 [19.7 in]
SW1-4	WIRE, 18 AWG AWM UL3385, YELLOW	500.0 [19.7 in]
SW1-5	WIRE, 18 AWG AWM UL3385, PURPLE	500.0 [19.7 in]
SW1-6	WIRE, 18 AWG AWM UL3385, GREEN	500.0 [19.7 in]
SW1- (-)	WIRE, 18 AWG AWM UL3385, BLACK	500.0 [19.7 in]
SW1- (+)	WIRE, 18 AWG AWM UL3385, RED	500.0 [19.7 in]

** WIRE LEADS PROVIDED ARE DEPENDENT ON THE FUNCTION SELECTED **



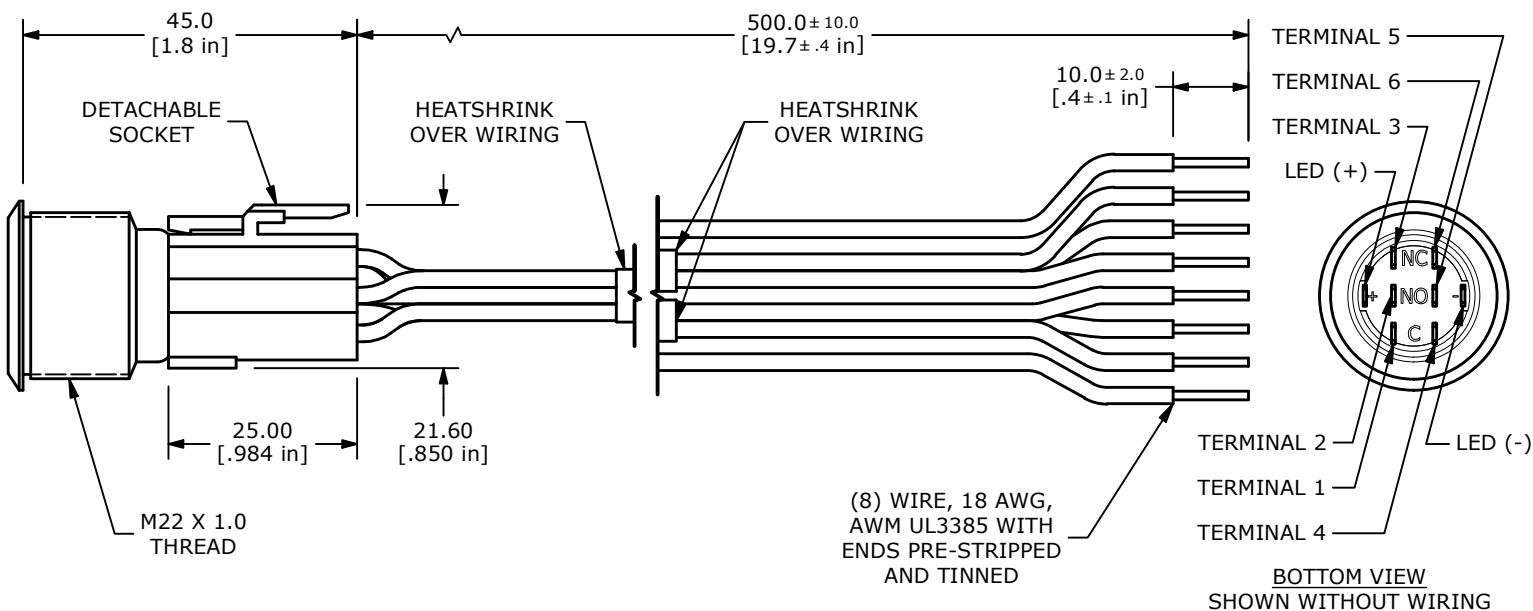
ULV7 SERIES ANTI-VANDAL SWITCH

WIRE OPTIONS

P - Detachable Socket
w/ Wire Leads
500mm long

SWITCH	WIRE	LENGTH
SW1-1	WIRE, 18 AWG AWM UL3385, GREEN	500.0 [19.7 in]
SW1-2	WIRE, 18 AWG AWM UL3385, PURPLE	500.0 [19.7 in]
SW1-3	WIRE, 18 AWG AWM UL3385, YELLOW	500.0 [19.7 in]
SW1-4	WIRE, 18 AWG AWM UL3385, GREEN	500.0 [19.7 in]
SW1-5	WIRE, 18 AWG AWM UL3385, PURPLE	500.0 [19.7 in]
SW1-6	WIRE, 18 AWG AWM UL3385, YELLOW	500.0 [19.7 in]
SW1- (-)	WIRE, 18 AWG AWM UL3385, BLACK	500.0 [19.7 in]
SW1- (+)	WIRE, 18 AWG AWM UL3385, RED	500.0 [19.7 in]

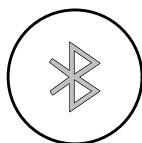
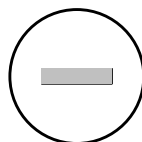
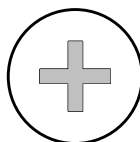
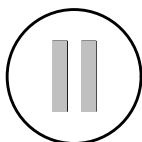
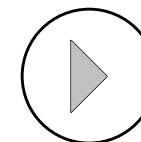
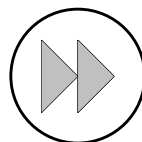
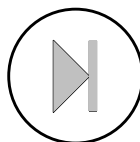
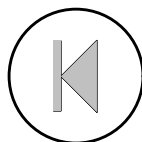
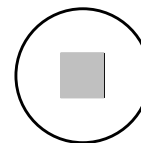
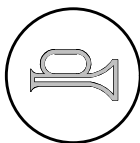
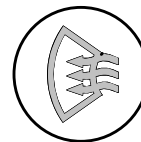
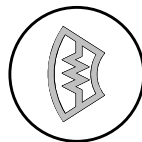
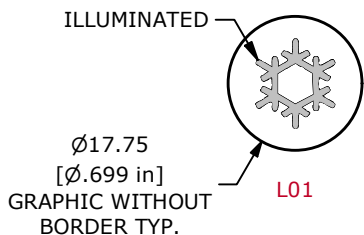
** WIRE LEADS PROVIDED ARE DEPENDENT ON THE FUNCTION SELECTED **



ULV7 SERIES ANTI-VANDAL SWITCH

GRAPHIC OPTIONS

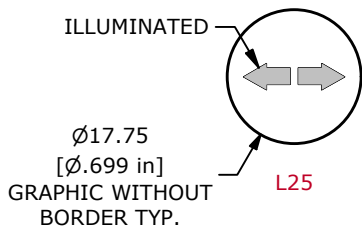
** REFER TO BODY DIMENSION PAGES 2 & 3 FOR GRAPHIC ORIENTATION **



ULV7 SERIES ANTI-VANDAL SWITCH

GRAPHIC OPTIONS (CONT.)

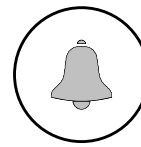
** REFER TO BODY DIMENSION PAGES 2 & 3 FOR GRAPHIC ORIENTATION **



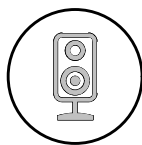
L26



L27



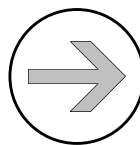
L28



L29



L30



L31



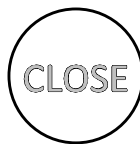
L32



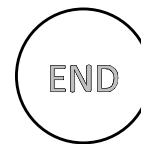
L35



L36



L37



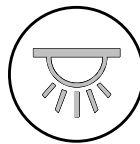
L38



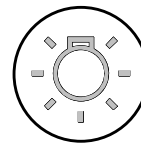
L42



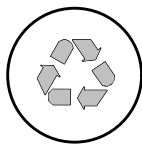
L43



L44



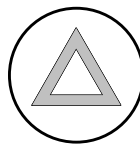
L45



L46



L47



L48

ANTI-VANDAL
SWITCHES

DETECTOR
SWITCHES

DIP
SWITCHES

KEYLOCK
SWITCHES

NAVIGATION
SWITCHES

PUSHBUTTON
SWITCHES

ROCKER
SWITCHES

ROTARY
SWITCHES

SLIDE
SWITCHES

SNAP ACTION
SWITCHES

TACTILE
SWITCHES

TOGGLE
SWITCHES

CAP
OPTIONS



E-SWITCH®

www.e-switch.com

800.867.2717

8

X-ON Electronics

Largest Supplier of Electrical and Electronic Components

Click to view similar products for [Pushbutton Switches](#) category:

Click to view products by [E-Switch](#) manufacturer:

Other Similar products are found below :

[8940K2012](#) [LW1L-M1C10V-A](#) [LW1L-M1C70-A](#) [LW2L-A1C20M-GD](#) [LW2L-M1C20M-A](#) [60324L](#) [M22-D-R-GB0/K11](#) [M7E-HRN2](#)
[67021K512](#) [67081K512X](#) [701PB580](#) [7190K101](#) [7199K101](#) [810K12910](#) [810KSV30B](#) [MML21EA2ADK](#) [MML21KA3ABK](#)
[MML23KA3AC05K-001](#) [MML23KW3AA01W](#) [8418K2](#) [8442K3](#) [8450K1](#) [860K11911T01A](#) [861901](#) [861K11911T01A07](#)
[861K13810T00A14](#) [861K13911](#) [8646AB6X718UL](#) [8646ABUL](#) [9001KXRK](#) [907AYY100](#) [PMHD155A1](#) [95-313.000](#)
[9533CD4+U574+U4922](#) [95-414.000](#) [99-450.837](#) [99-453.837](#) [PV3H2B0NN-341](#) [1203MRA](#) [A22NZBGANGA](#) [A22NZBMMNGA](#)
[A22NZBNANGA](#) [A22NZMPATRA](#) [A2PMA1X03EC56](#) [A3A-5123-02](#) [A3A-7140](#) [A3A-7310](#) [A3A-7340](#) [A3U-TMW-A2C-5M](#) [A595](#)