

ULV7 SERIES ANTI-VANDAL SWITCH

ANTI-VANDAL SWITCHES
DETECTOR SWITCHES
DIP SWITCHES
KEYLOCK SWITCHES
NAVIGATION SWITCHES
PUSHBUTTON SWITCHES
ROCKER SWITCHES
ROTARY SWITCHES
SLIDE SWITCHES
SNAP ACTION SWITCHES
TACTILE SWITCHES
TOGGLE SWITCHES
CAP OPTIONS



APPLICATIONS / MARKETS



RoHS

SPECIFICATIONS

Electrical Rating: 3A, 125/250VAC
Mechanical Life: 1,000,000 cycles (momentary); 500,000 cycles (latching)
Electrical Life: 50,000 Cycles
Contact Resistance: 50mΩ
Insulation Resistance: 1000 MΩ @ 500VDC
Dielectric Strength: 2,000VAC
Operating/Storage Temperature: -20°C to 55°C
Travel: 3.2mm
Moisture Protection: IP67
Contact Arrangement: SPDT or DPDT
Actuation Force: Single Pole: 2.5N; Double Pole: 3.5N
Panel Thickness: 1-10mm
Hex Nut Torque: 5-14Nm
Mechanical Impact Protection: IK08
Agency Approvals: cURus

FEATURES & BENEFITS

- 22mm diameter panel cutout
- Ring or Ring/Power symbol illumination
- Multiple switch functions available
- Multiple illumination voltage options
- IP67 rated
- SPDT or DPDT
- UL Certified
- Custom graphics available
- Soldered wire leads (300mm long) optional
- Detachable socket w/ wire leads (500mm long) optional
- Molded back w/ wire leads (500mm long) optional

PART NUMBER CONFIGURATOR

Series	Actuator	Terminal	Function	Body Finish	Actuator Finish	Contact Material	Lens Style	LED Color	Illumination Voltage
<input type="text" value="ULV7"/>	<input type="text" value="F - Flat"/>	<input type="text" value="2 - Solder Lug
W - Wire Leads
300mm long
P - Detachable
Socket w/ Wire
Leads 500mm
long
M - Molded Back
w/ Wire Leads
500mm long"/>	<input type="text" value="3 - 1P ON-ON
B - 1P ON-(ON)*
G - 2P ON-ON
H - 2P ON-(ON)*"/>	<input type="text" value="S - Stainless
Steel
1 - Black
Anodized"/>	<input type="text" value="S - Stainless
Steel
1 - Black
Anodized"/>	<input type="text" value="None - Silver
G - Gold"/>	<input type="text" value="3 - Ring,
moveable with
actuator
6 - Ring /
Power
Symbol,
moveable with
actuator
(Stainless
Steel only)"/>	<input type="text" value="0 - White
1 - Red
2 - Orange
3 - Green
4 - Blue
5 - Yellow
G - Red / Green
P - Green / Yellow"/>	<input type="text" value="1 - 3V
3 - 6V
4 - 12V
5 - 24V
6 - 110V
7 - 220V"/>

NOTES:
 *() denotes function is momentary

Specifications subject to change without notice 2.20.2020



E-SWITCH®

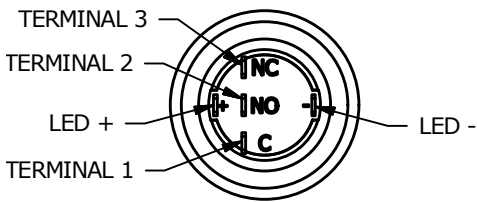
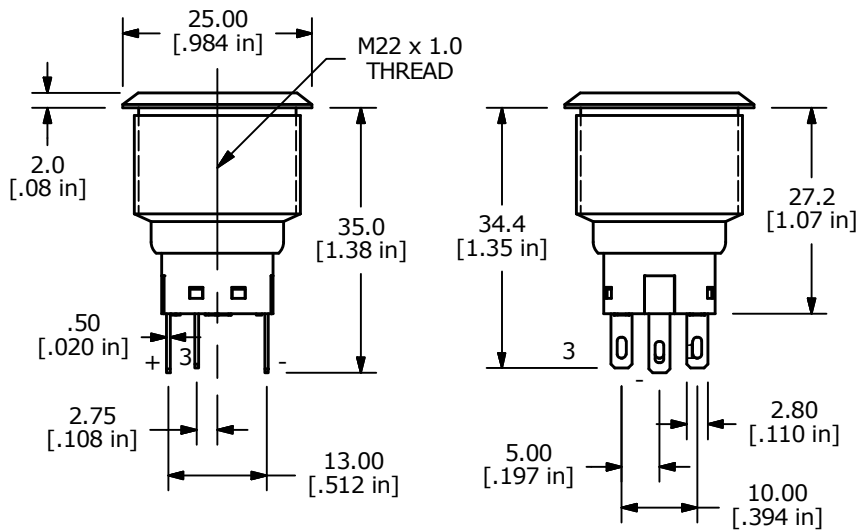
www.e-switch.com

800.867.2717

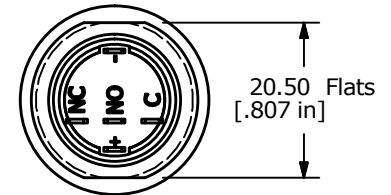
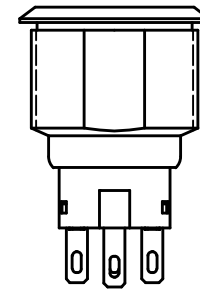
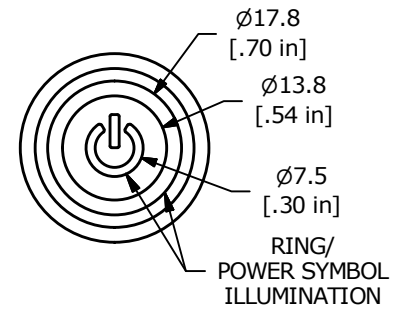
1

ULV7 SERIES ANTI-VANDAL SWITCH

BODY DIMENSIONS - SPDT



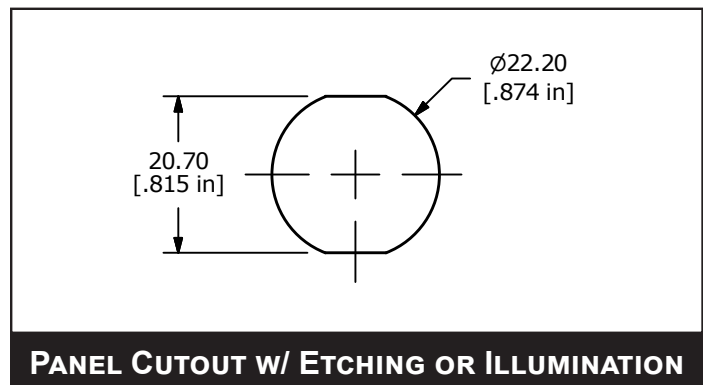
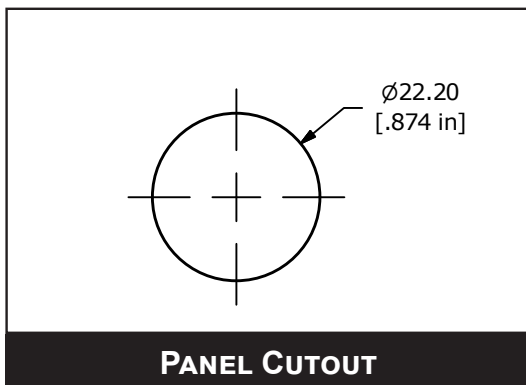
SPDT SWITCH DIMENSIONS



HOUSING WITH FLATS (SPDT OR DPDT) USED ON SWITCHES WITH RING/POWER SYMBOL OR OTHER CUSTOM GRAPHICS (SPDT SHOWN)

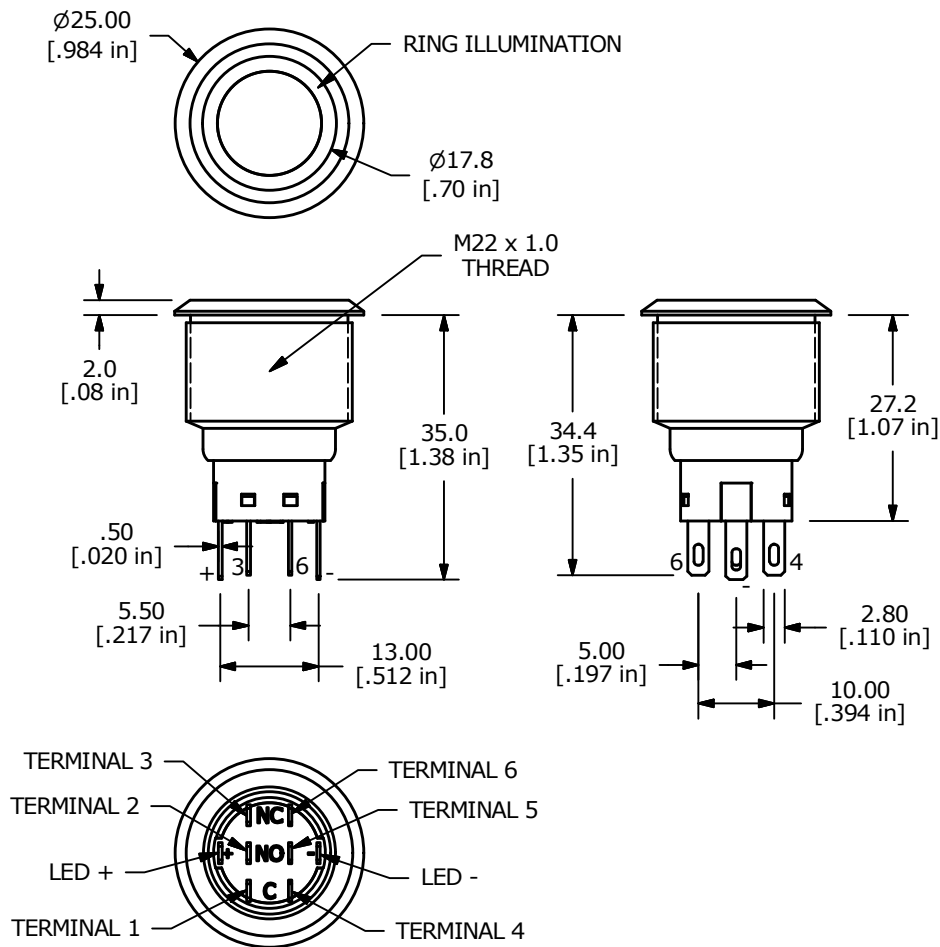
(SEE STANDARD SPDT OR DPDT DIMENSIONAL LAYOUT FOR OTHER DIMENSIONS)

GRAPHIC OPTIONS

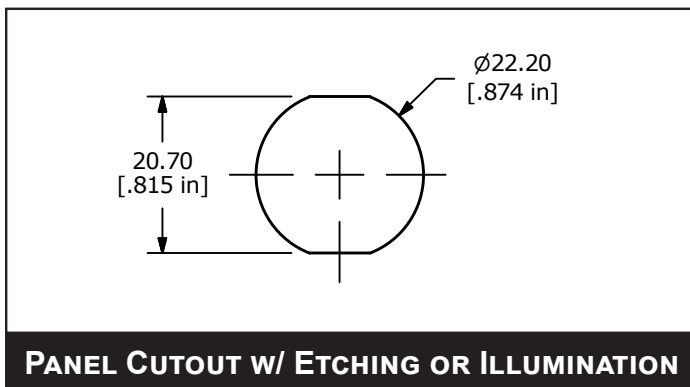
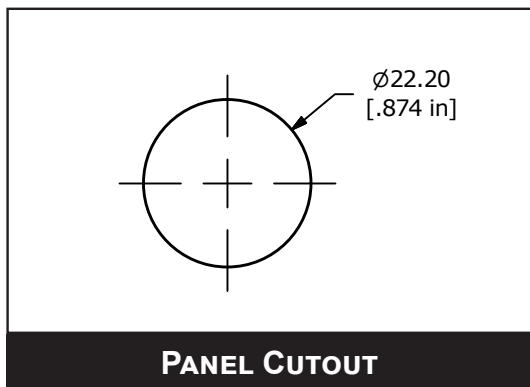


ULV7 SERIES ANTI-VANDAL SWITCH

WIRE OPTIONS

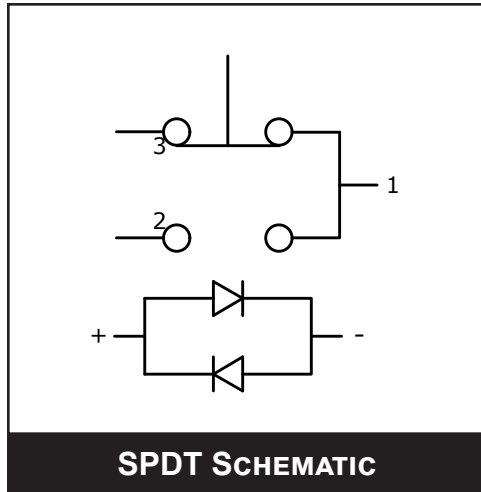


DPDT SWITCH DIMENSIONS

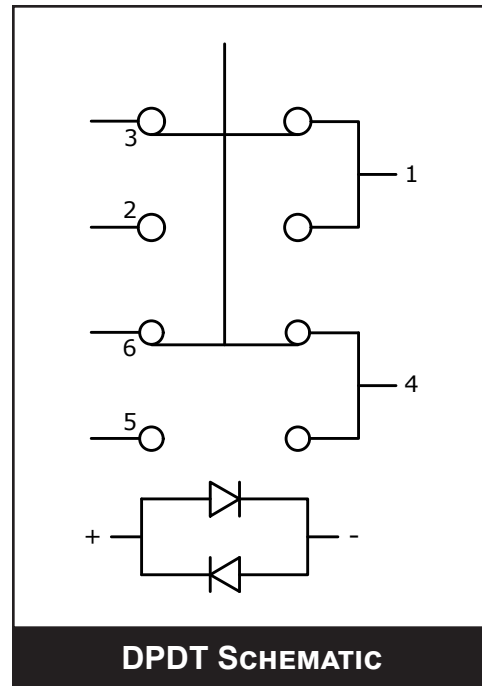


ULV7 SERIES ANTI-VANDAL SWITCH

WIRE OPTIONS

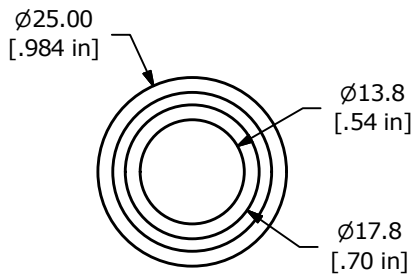


SPDT SCHEMATIC

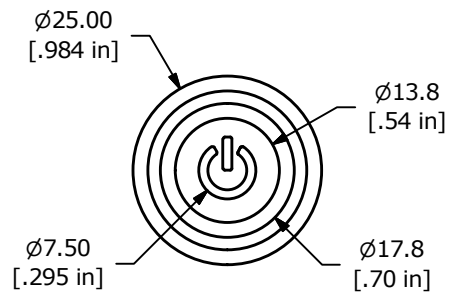


DPDT SCHEMATIC

ACTUATOR OPTIONS



RING ILLUMINATED



RING/POWER SYMBOL ILLUMINATED



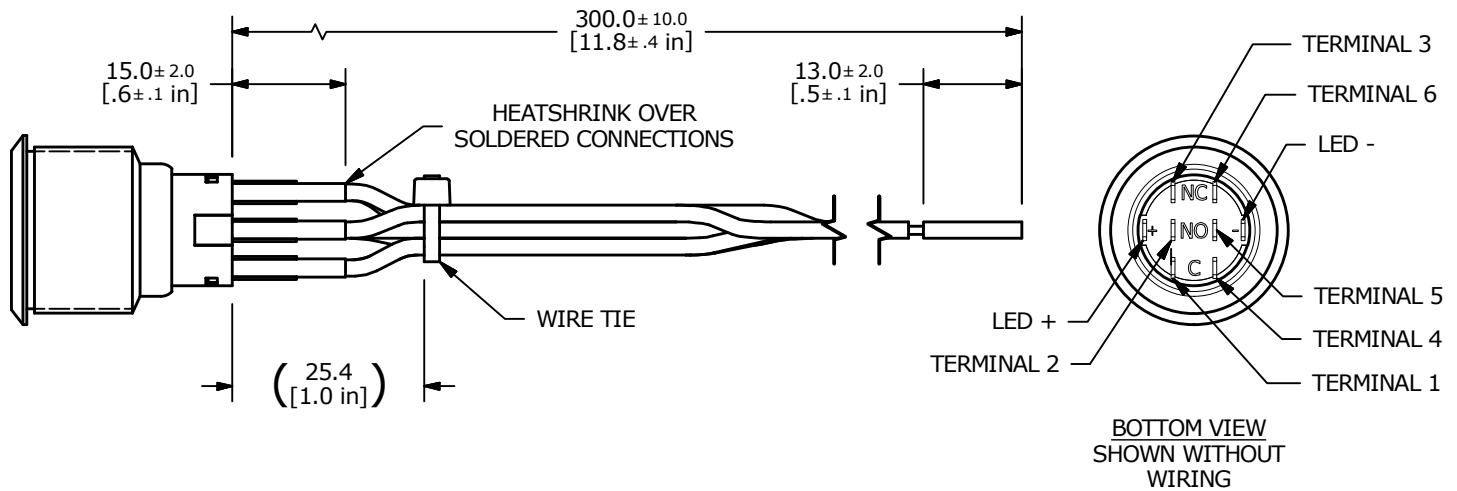
ULV7 SERIES ANTI-VANDAL SWITCH

WIRE OPTIONS

W - Wire Leads
300mm long

SWITCH	WIRE	LENGTH
SW1-1	WIRE, 24AWG AWM UL1015, BLUE	300.0 [11.8 in]
SW1-2	WIRE, 24AWG AWM UL1015, PURPLE	300.0 [11.8 in]
SW1-3	WIRE, 24AWG AWM UL1015, GREEN	300.0 [11.8 in]
SW1-4	WIRE, 24AWG AWM UL1015, WHITE	300.0 [11.8 in]
SW1-5	WIRE, 24AWG AWM UL1015, ORANGE	300.0 [11.8 in]
SW1-6	WIRE, 24AWG AWM UL1015, YELLOW	300.0 [11.8 in]
SW1- (-)	WIRE, 24AWG AWM UL1015, BLACK	300.0 [11.8 in]
SW1- (+)	WIRE, 24AWG AWM UL1015, RED	300.0 [11.8 in]

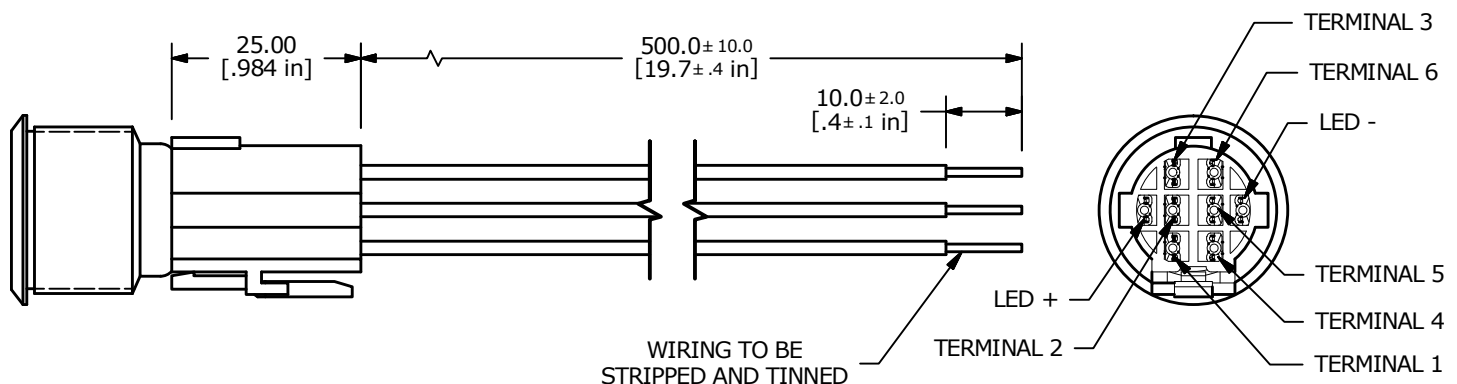
** WIRE LEADS PROVIDED ARE DEPENDANT ON THE FUNCTION SELECTED **



P - Detachable Socket
w/ Wire Leads
500mm long

SWITCH	WIRE	LENGTH
SW1-1	WIRE, 18 AWG AWM UL3385, GREEN	500.0 [18.0 in]
SW1-2	WIRE, 18 AWG AWM UL3385, PURPLE	500.0 [18.0 in]
SW1-3	WIRE, 18 AWG AWM UL3385, YELLOW	500.0 [18.0 in]
SW1-4	WIRE, 18 AWG AWM UL3385, GREEN	500.0 [18.0 in]
SW1-5	WIRE, 18 AWG AWM UL3385, PURPLE	500.0 [18.0 in]
SW1-6	WIRE, 18 AWG AWM UL3385, YELLOW	500.0 [18.0 in]
SW1- (-)	WIRE, 18 AWG AWM UL3385, BLACK	500.0 [18.0 in]
SW1- (+)	WIRE, 18 AWG AWM UL3385, RED	500.0 [18.0 in]

** WIRE LEADS PROVIDED ARE DEPENDANT ON THE FUNCTION SELECTED **



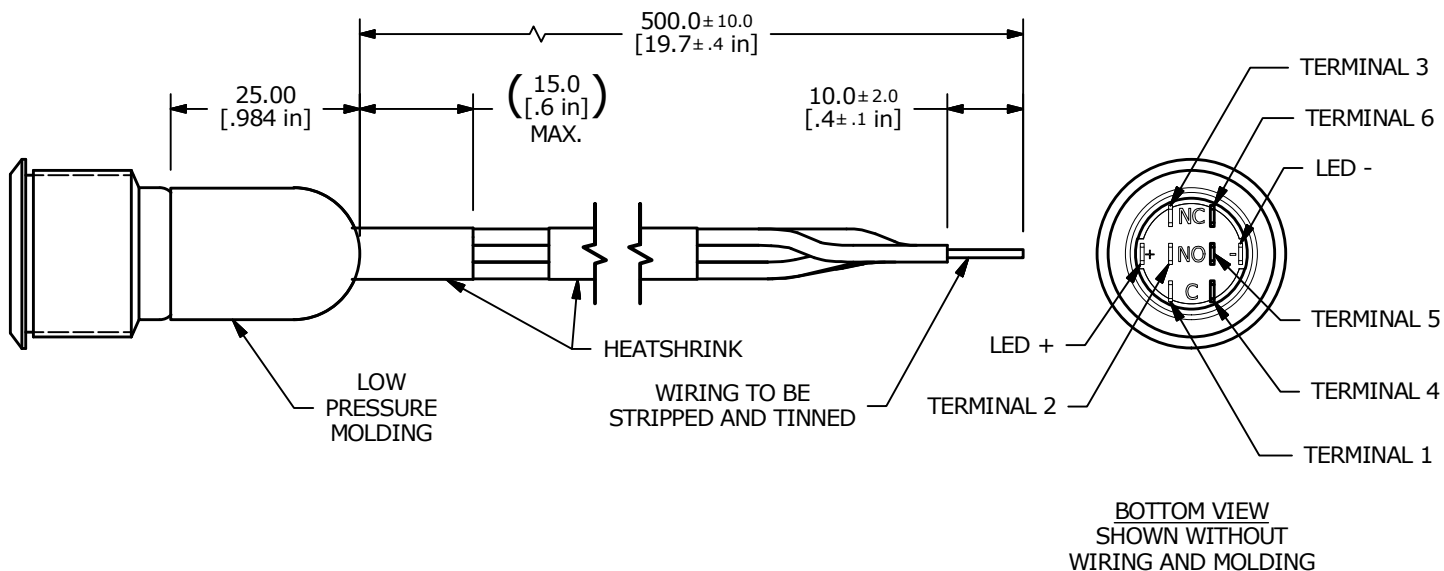
ULV7 SERIES ANTI-VANDAL SWITCH

WIRE OPTIONS

M - Molded Back
w/ Wire Leads
500mm long

SWITCH	WIRE	LENGTH
SW1-1	WIRE, 18 AWG AWM UL3385, GREEN	500.0 [18.0 in]
SW1-2	WIRE, 18 AWG AWM UL3385, PURPLE	500.0 [18.0 in]
SW1-3	WIRE, 18 AWG AWM UL3385, YELLOW	500.0 [18.0 in]
SW1-4	WIRE, 18 AWG AWM UL3385, GREEN	500.0 [18.0 in]
SW1-5	WIRE, 18 AWG AWM UL3385, PURPLE	500.0 [18.0 in]
SW1-6	WIRE, 18 AWG AWM UL3385, YELLOW	500.0 [18.0 in]
SW1- (-)	WIRE, 18 AWG AWM UL3385, BLACK	500.0 [18.0 in]
SW1- (+)	WIRE, 18 AWG AWM UL3385, RED	500.0 [18.0 in]

** WIRE LEADS PROVIDED ARE DEPENDANT ON THE FUNCTION SELECTED **



X-ON Electronics

Largest Supplier of Electrical and Electronic Components

Click to view similar products for [Pushbutton Switches](#) category:

Click to view products by [E-Switch](#) manufacturer:

Other Similar products are found below :

[8971K1133](#) [LW2L-M1C20M-A](#) [M22-D-R-GB0/K11](#) [701PB580](#) [7199K101](#) [810K12910](#) [810KSV30B](#) [FLT 2U EE 01A](#) [MML21EA2ADK](#)
[MML21KA3ABK](#) [MML23KA3AC05K-001](#) [MML23KW3AA01W](#) [8418K2](#) [8442K3](#) [8450K1](#) [860K11911T01A](#) [861901](#) [861K11911T01A07](#)
[861K13810T00A14](#) [861K13911](#) [8646AB6X718UL](#) [9533CD4+U574+U4922](#) [99-450.837](#) [99-453.837](#) [A2PMA1X03EC56](#) [A3A-7310](#) [A3A-](#)
[7340](#) [12037A2ULCSA](#) [1203A2UL](#) [ABGW410-R](#) [ABN400-R](#) [121382](#) [1213C3](#) [HE3B-M2](#) [121194](#) [1212MRA](#) [1241.1183.7047](#) [121489](#)
[1223A2ULCSA](#) [1241.1183.8000](#) [1241.1183.8029](#) [D5P-MT4](#) [13435AG](#) [13445AD29GX768](#) [AG23-L2](#) [AH165-2SGLG1TE3](#) [AH165-](#)
[TGFY22](#) [AH165-TGL5Y11E3](#) [AH165-TGLR11AA3](#) [AH165-TL5Y22E](#)