

# ULV7 SERIES ANTI-VANDAL SWITCH

ANTI-VANDAL SWITCHES  
DETECTOR SWITCHES  
DIP SWITCHES  
KEYLOCK SWITCHES  
NAVIGATION SWITCHES  
PUSHBUTTON SWITCHES  
ROCKER SWITCHES  
ROTARY SWITCHES  
SLIDE SWITCHES  
SNAP ACTION SWITCHES  
TACTILE SWITCHES  
TOGGLE SWITCHES  
CAP OPTIONS



## APPLICATIONS / MARKETS



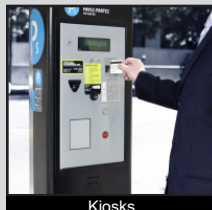
Audio / Visual



Security Devices



Industrial Controls



Kiosks



Electrical Housewares



Medical Equipment



RoHS

## SPECIFICATIONS

**Electrical Rating:** 3A, 125/250VAC  
**Mechanical Life:** 1,000,000 cycles (momentary); 500,000 cycles (latching)  
**Electrical Life:** 50,000 Cycles  
**Contact Resistance:** 50mΩ  
**Insulation Resistance:** 1000 MΩ @ 500VDC  
**Dielectric Strength:** 2,000VAC  
**Operating/Storage Temperature:** -20°C to 55°C  
**Travel:** 3.2mm  
**Moisture Protection:** IP67  
**Contact Arrangement:** SPDT or DPDT  
**Actuation Force:** Single Pole: 2.5N; Double Pole: 3.5N  
**Panel Thickness:** 1-10mm  
**Hex Nut Torque:** 5-14Nm  
**Mechanical Impact Protection:** IK08  
**Agency Approvals:** cURus

## FEATURES & BENEFITS

- 22mm diameter panel cutout
- Ring illumination
- Multiple switch functions available
- Multiple illumination voltage options
- IP67 rated
- SPDT or DPDT
- UL Certified
- Custom graphics available
- Soldered wire leads (300mm long) optional

## PART NUMBER CONFIGURATOR

Series	Actuator	Terminal	Function	Body Finish	Actuator Finish	Contact Material	Lens Style	LED Color	Illumination Voltage
<input type="text" value="ULV7"/>	<input type="text" value="F - Flat"/>	<input type="text" value="2 - Solder&lt;br/&gt;W - Wire Leads&lt;br/&gt;300mm long"/>	<input type="text" value="3 - 1P ON-ON&lt;br/&gt;B - 1P ON-(ON)*&lt;br/&gt;G - 2P ON-ON&lt;br/&gt;H - 2P ON-(ON)*"/>	<input type="text" value="S - Stainless Steel&lt;br/&gt;1 - Black Anodized"/>	<input type="text" value="S - Stainless Steel&lt;br/&gt;1 - Black Anodized"/>	<input type="text" value="None - Silver&lt;br/&gt;G - Gold"/>	<input type="text" value="3 - Ring, moveable with actuator&lt;br/&gt;6 - Ring / Power Symbol, moveable with actuator (Stainless Steel only)"/>	<input type="text" value="0 - White&lt;br/&gt;1 - Red&lt;br/&gt;2 - Orange&lt;br/&gt;3 - Green&lt;br/&gt;4 - Blue&lt;br/&gt;5 - Yellow&lt;br/&gt;G - Red / Green&lt;br/&gt;P - Green / Yellow"/>	<input type="text" value="1 - 3V&lt;br/&gt;3 - 6V&lt;br/&gt;4 - 12V&lt;br/&gt;5 - 24V&lt;br/&gt;6 - 110V&lt;br/&gt;7 - 220V"/>

NOTES:  
 \*( ) denotes function is momentary

Specifications subject to change without notice 3.19.2019



E-SWITCH®

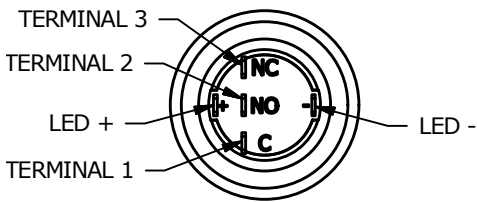
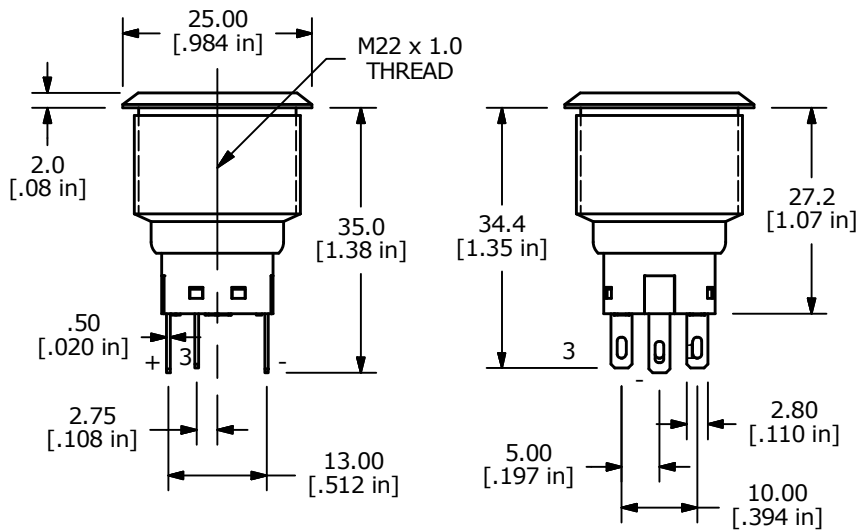
www.e-switch.com

800.867.2717

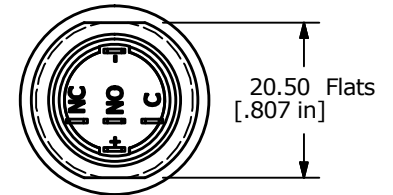
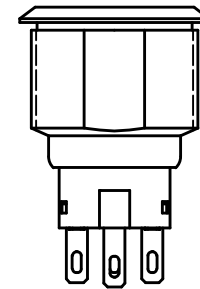
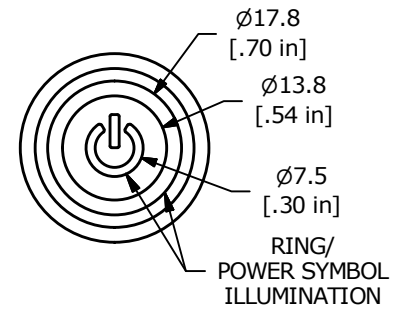
1

# ULV7 SERIES ANTI-VANDAL SWITCH

## BODY DIMENSIONS - SPDT



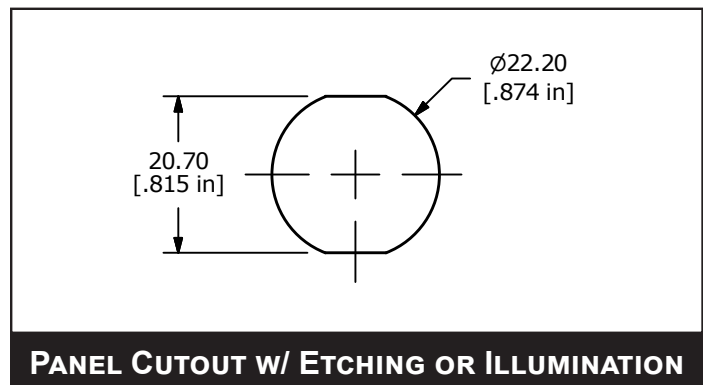
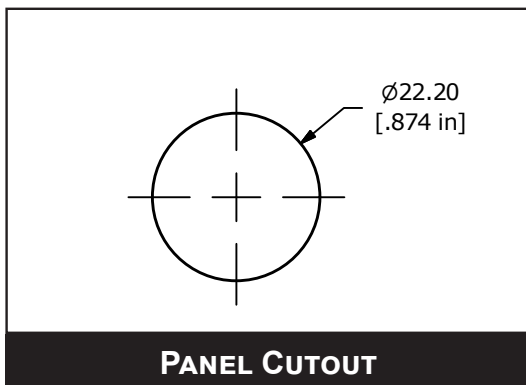
SPDT SWITCH DIMENSIONS



HOUSING WITH FLATS (SPDT OR DPDT) USED ON SWITCHES WITH RING/POWER SYMBOL OR OTHER CUSTOM GRAPHICS (SPDT SHOWN)

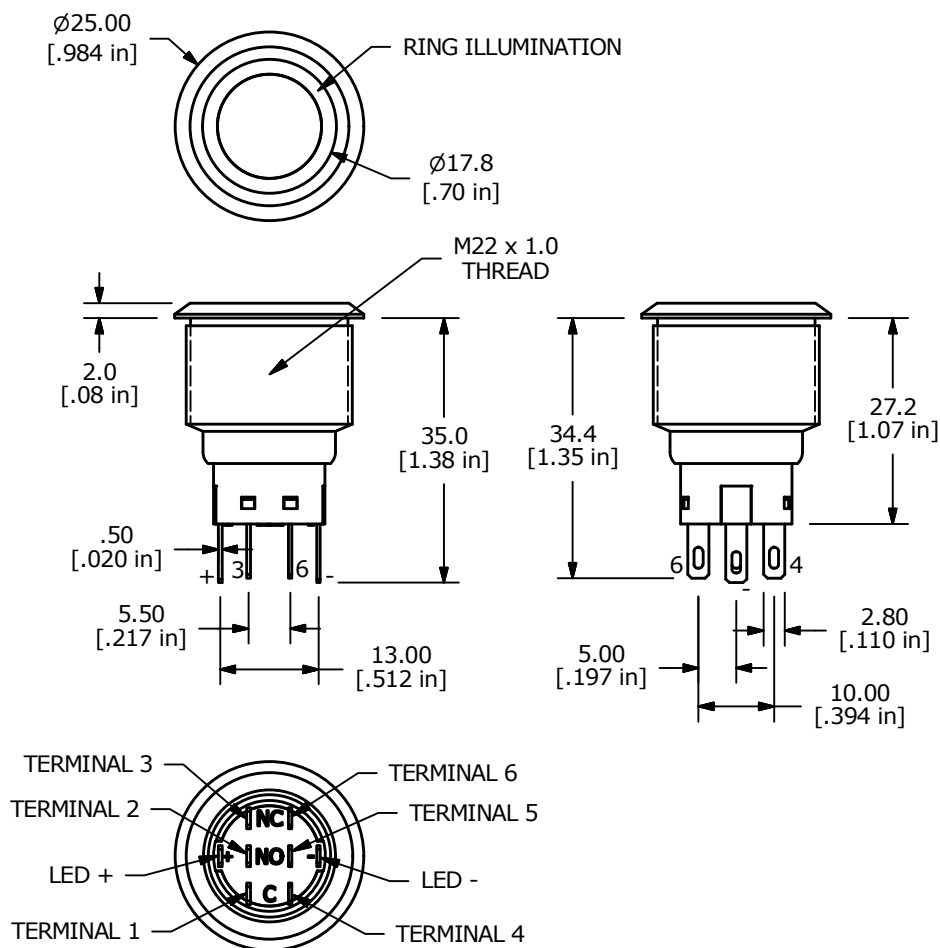
(SEE STANDARD SPDT OR DPDT DIMENSIONAL LAYOUT FOR OTHER DIMENSIONS)

## GRAPHIC OPTIONS

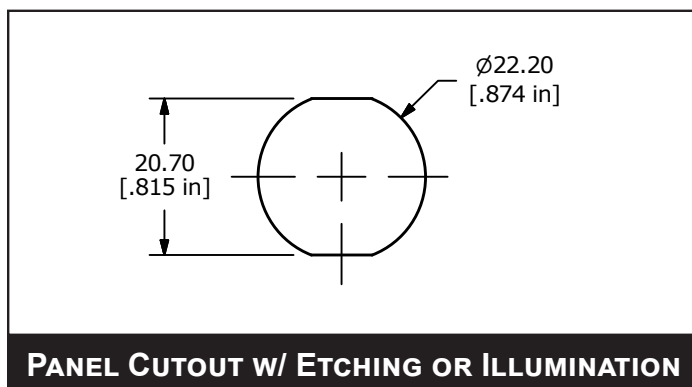
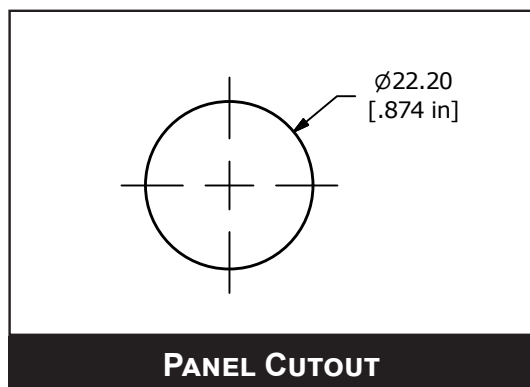


# ULV7 SERIES ANTI-VANDAL SWITCH

## BODY DIMENSIONS - DPDT

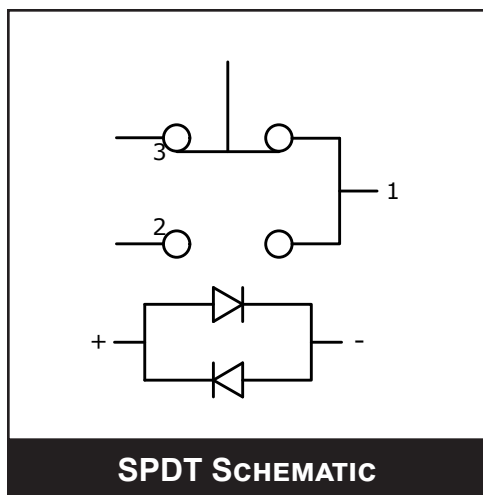


DPDT SWITCH DIMENSIONS

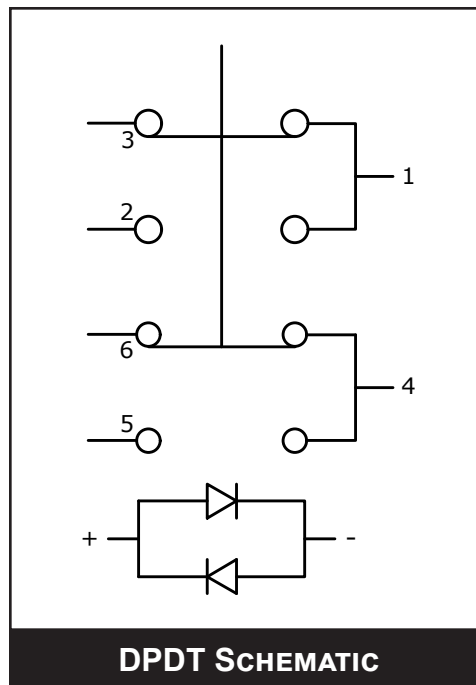


# ULV7 SERIES ANTI-VANDAL SWITCH

## SCHEMATICS

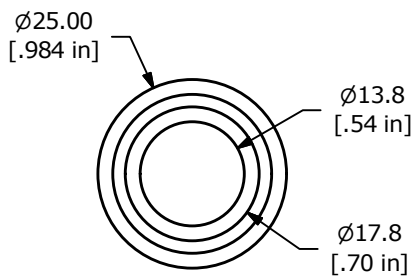


**SPDT SCHEMATIC**

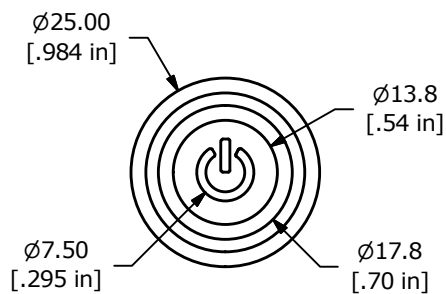


**DPDT SCHEMATIC**

## ACTUATOR OPTIONS



**RING ILLUMINATED**



**RING/POWER SYMBOL ILLUMINATED**

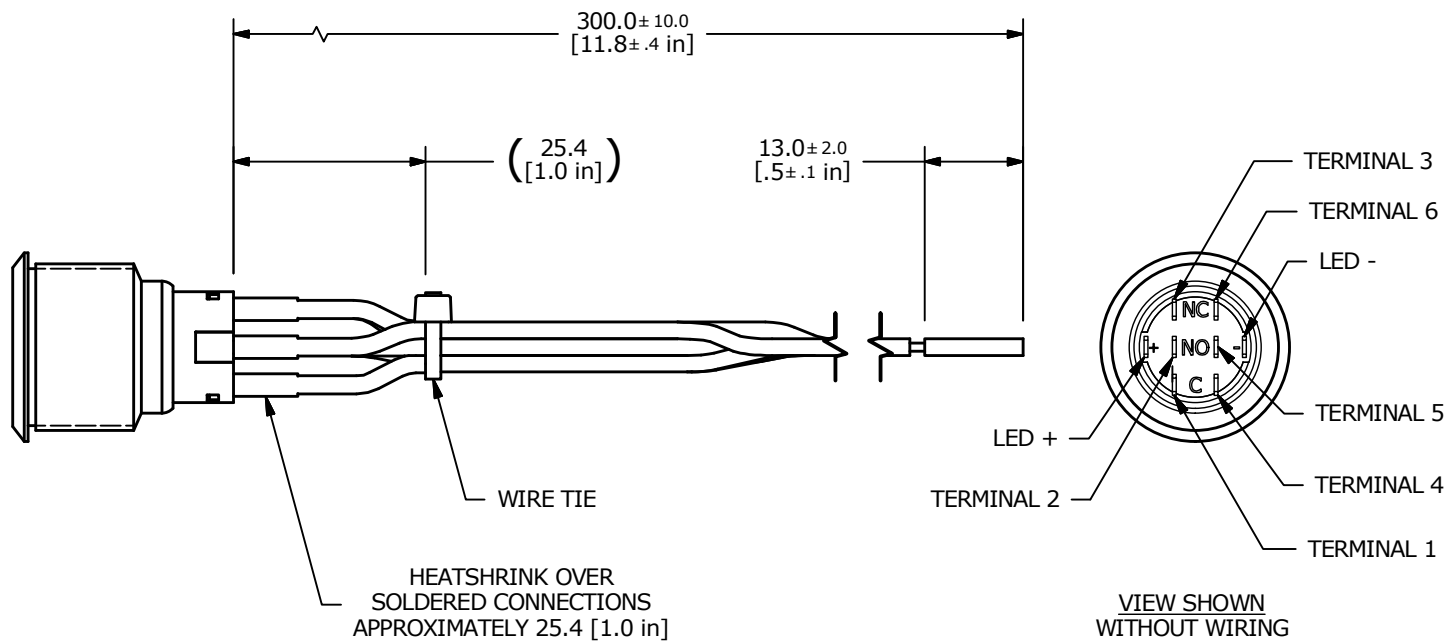


# ULV7 SERIES ANTI-VANDAL SWITCH

## WIRE LEADS

SWITCH	WIRE	LENGTH
SW1-1	WIRE, 24AWG AWM UL1015, BLUE	300.0 [11.8 in]
SW1-2	WIRE, 24AWG AWM UL1015, PURPLE	300.0 [11.8 in]
SW1-3	WIRE, 24AWG AWM UL1015, GREEN	300.0 [11.8 in]
SW1-4	WIRE, 24AWG AWM UL1015, WHITE	300.0 [11.8 in]
SW1-5	WIRE, 24AWG AWM UL1015, ORANGE	300.0 [11.8 in]
SW1-6	WIRE, 24AWG AWM UL1015, YELLOW	300.0 [11.8 in]
SW1- (-)	WIRE, 24AWG AWM UL1015, BLACK	300.0 [11.8 in]
SW1- (+)	WIRE, 24AWG AWM UL1015, RED	300.0 [11.8 in]

\*\* WIRE LEADS PROVIDED ARE DEPENDANT ON THE FUNCTION SELECTED \*\*



## X-ON Electronics

Largest Supplier of Electrical and Electronic Components

*Click to view similar products for [Pushbutton Switches](#) category:*

*Click to view products by [E-Switch](#) manufacturer:*

Other Similar products are found below :

[8940K2012](#) [LW1L-M1C10V-A](#) [LW1L-M1C70-A](#) [LW2L-A1C20M-GD](#) [LW2L-M1C20M-A](#) [60324L](#) [M22-D-R-GB0/K11](#) [M7E-HRN2](#)  
[67021K512](#) [67081K512X](#) [701PB580](#) [7190K101](#) [7199K101](#) [810K12910](#) [810KSV30B](#) [MML21EA2ADK](#) [MML21KA3ABK](#)  
[MML23KA3AC05K-001](#) [MML23KW3AA01W](#) [8418K2](#) [8442K3](#) [8450K1](#) [860K11911T01A](#) [861901](#) [861K11911T01A07](#)  
[861K13810T00A14](#) [861K13911](#) [8646AB6X718UL](#) [8646ABUL](#) [9001KXRK](#) [907AYY100](#) [PMHD155A1](#) [95-313.000](#)  
[9533CD4+U574+U4922](#) [95-414.000](#) [99-450.837](#) [99-453.837](#) [PV3H2B0NN-341](#) [1203MRA](#) [A22NZBGANGA](#) [A22NZBMMNGA](#)  
[A22NZBNANGA](#) [A22NZMPATRA](#) [A2PMA1X03EC56](#) [A3A-5123-02](#) [A3A-7140](#) [A3A-7310](#) [A3A-7340](#) [A3U-TMW-A2C-5M](#) [A595](#)