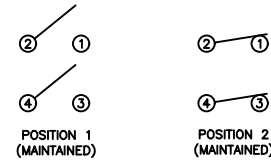


**SCHEMATIC**



**SPECIFICATIONS**

**FUNCTION:**  
2P1T OFF-ON

**RATINGS:**  
ANSI/UL 1054, CN/CSA 22.2 No. 55 (E194579):  
20A 125VAC 50/60Hz [cURus]  
20A 250VAC 50/60Hz [cURus]  
2HP 125/250VAC 50/60Hz [cURus]

EN 61058-1:2002 (50153550):  
18(12)A 250V~ 50Hz 5E4 T85/55 [TÜV]

**CONTACT RESISTANCE:**  
Initial: 50mΩ Max.

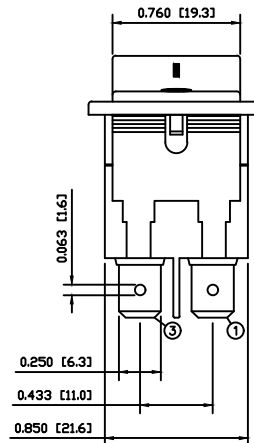
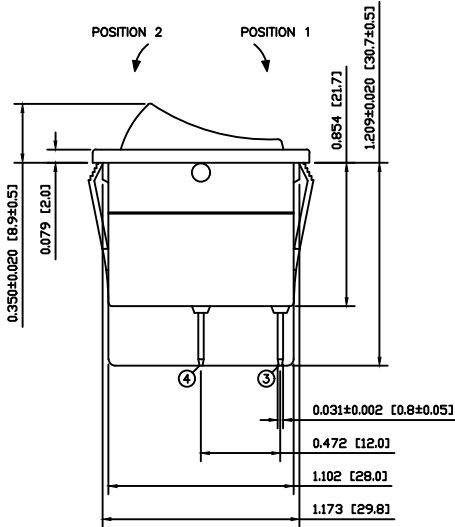
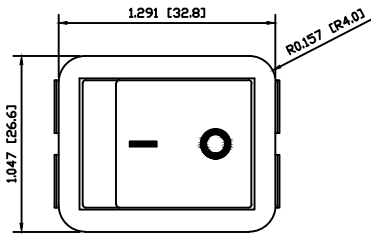
**INSULATION RESISTANCE:**  
500MΩ Min. at 500VDC

**DIELECTRIC STRENGTH:**  
1,500VAC For 1 Minute

**TEMPERATURE:**  
Operating: -20°C to 65°C [cURus]  
Operating: -20°C to 85°C [TÜV]

**INGRESS PROTECTION:**  
IP55

**APPROVALS:**



**COLORS AND MARKINGS**

**BODY:**  
Black

**ACTUATOR:**  
Black

**MOUNTING EARS:**  
White

**MARKINGS:**  
I/O Vertical (1)

**MARKING COLOR:**  
White

**MATERIALS**

**BODY:**  
Polyamide 6/6 (PA66), UL94 V-0

**ACTUATOR:**  
Polyamide 6/6 (PA66), UL94 V-2

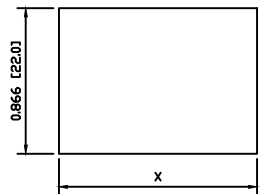
**MOUNTING EARS:**  
Polyamide 6/6 (PA66), UL94 V-2

**CONTACTS:**  
Silver Alloy

**TERMINALS:**  
Silver Plated Copper

**RUBBER SEAL:**  
Ethylene Propylene Thermoplastic Rubber (EPTR)

**SUGGESTED PANEL CUTOUT**



PANEL THICKNESS	X
1.5 - 2.0mm	30.2mm +0.1/-0
2.0 - 2.5mm	30.4mm +0.1/-0

ACTUATOR	A	06/07/21	CAB
BODY	-	8/21/2019	MW
COLORS	A	06/07/21	CAB
MATERIALS	B	10/12/10	CAB
SPECIFICATIONS	-	8/21/2019	MW
REFERENCE	REV.	DATE	

C	correct term. numbers, 4 to 3, 5 to 4	24009	8/21/19	MW
B	CORRECTED TERMINAL PLATING TO SILVER	19461	10/12/10	CAB
A	INITIAL RELEASE	PCRO0051	06/06/05	CAB
REV.	DESCRIPTION	PCR	DATE	DRAWN BY

DIMENSIONS		INCHES [MILLIMETERS]
GENERAL TOLERANCES		
±0.008 [±0.2] / ±1*		
SCALE	DRAWING NOT TO SCALE	PROJECTION

TITLE			
WB242D1121			
ITEM NUMBER	DATE	REVISION	
34-WB242D1121	DECEMBER 10, 2010	C	

## X-ON Electronics

Largest Supplier of Electrical and Electronic Components

*Click to view similar products for [Rocker Switches](#) category:*

*Click to view products by [E-Switch](#) manufacturer:*

Other Similar products are found below :

[LTI LA6E-1S-WH-RC-FN12VXCR1](#) [6-1571986-9](#) [8007K26N324V52](#) [8055K32Z7V](#) [8055K52Z7V](#) [8138K20E6M50](#) [84206L](#) [84312LX](#)  
[PREDD5-07F-BB0GW](#) [999-16716-002](#) [999-16716-003](#) [999-16716-004](#) [A101J1V3Q004](#) [A101J2ZQ004](#) [A101J4ZQ004](#) [A101J51CB0004](#)  
[A103J1ZQ004](#) [A201J1AQ004](#) [A201J3ZB004](#) [A201J50ZQ004](#) [A203J51ZQ0004](#) [A435S1YZQ](#) [H8500XBBBBL-A](#) [H8653VBBG2577W](#)  
[HB130CHNWWNAAC](#) [R13112ABB-602W](#) [1251.0303](#) [AE205J60V3B004](#) [1352.0107](#) [1500G51E](#) [1571099-3](#) [1571987-4](#) [1571987-5](#)  
[1571989-7](#) [1571988-5](#) [B123J77V7B2](#) [B226J50W4Q22P](#) [B433J37ZQ22M](#) [160212E](#) [1634200-7](#) [1801.1164](#) [1839.1502](#) [PANEL-PLUG-VHP-](#)  
[BLACK](#) [PANEL-PLUG-VHP-WT](#) [K1ABBSCADN](#) [K2ABAAAAAA](#) [KG312A2DXD246X](#) [250011E714](#) [2600HM11E](#) [2600R21E](#)