

### Description

Single pole thermal reset circuit breaker

- Space-saving, slim design
- Ease of installation through snap-in frame
- Reliable, trip-free mechanism
- Approvals: UL1077, EN60934
- Attractively low price

### Typical applications

Power supply units, UPS equipment, battery chargers, oxygen treatment devices, office machines

### Order numbering code

#### Type No.

**1115** single pole thermal circuit breaker

#### Mounting method

**F1** snap-in mounting (panel thickness 1,8 ... 3 mm)

#### Number of poles

**1** 1 pole, thermally protected

#### Accessories, style

**1** black push button

#### Terminals

**P1** blade terminals A 6.3 x 0.8 mm

#### Characteristic curve

**T1** thermal 3...16 A



**T2** thermal 1...2.5 A

#### Current ratings

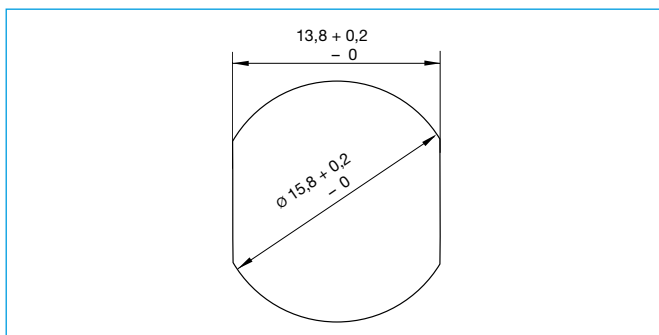
**1...16A**

**1115 - F1 1 1 - P1 T1 - 10 A** ordering example

### Approvals

Approval authority	Standard	Rated voltage	Current rating range	Approval mark
UL	UL1077 (E67320)	AC 250 V DC 32 V	1...16 A	
TÜV	EN 60934/ IEC 60934	AC 250 V	1...16 A	

### Cut-out dimensions



**1115**

### Technical Data

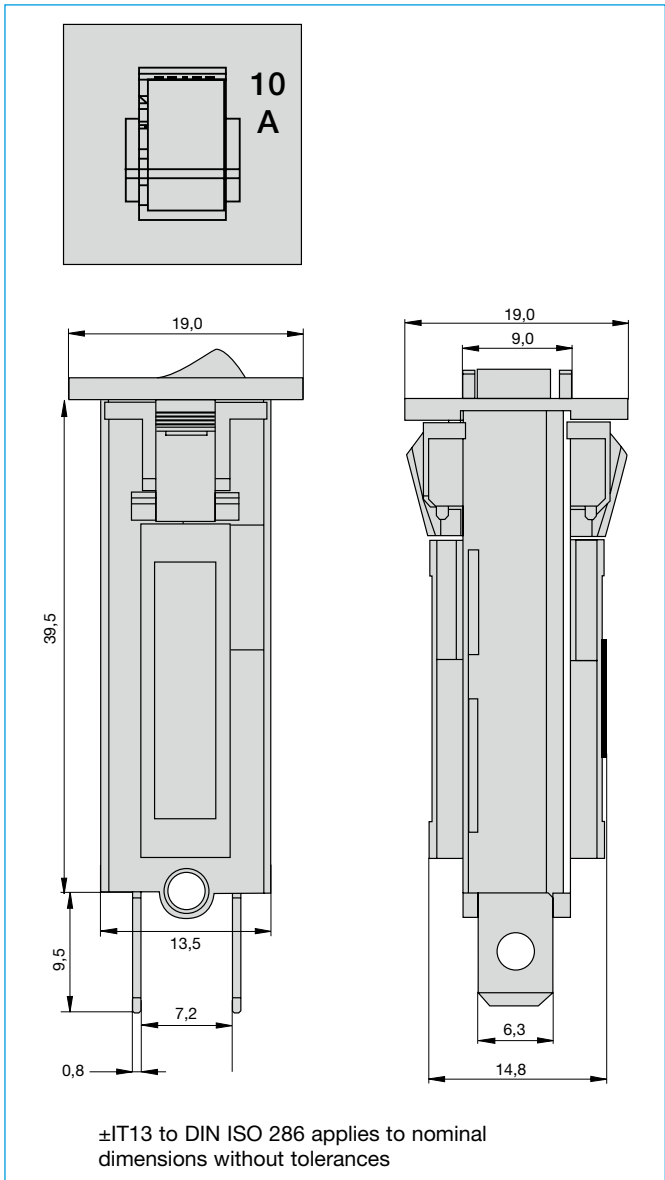
Rated voltage	AC 250 V; DC 32 V
Current rating range	1...16 A
Typical life	500 operations at 1.5 times rated current, resistive load, AC 125 V 50 operations at 2 times rated current, inductive load, AC 250 V
Rupture capacity UL1077	1.000 A (C, 1), AC 250 V 200 A (C, 1), DC 32 V
EN 60934	500 A (I <sub>NC1</sub> ), AC 250 V
Ambient temperature	-20°C ... + 60°C
Vibration	57 Hz acceleration 30m/s <sup>2</sup> (3g) in X, Y, Z directions (twice/min.)
Shock	300m/s <sup>2</sup> (30g) in X, Y, Z directions
Mass	approx. 8g

### Current ratings and typical voltage drop

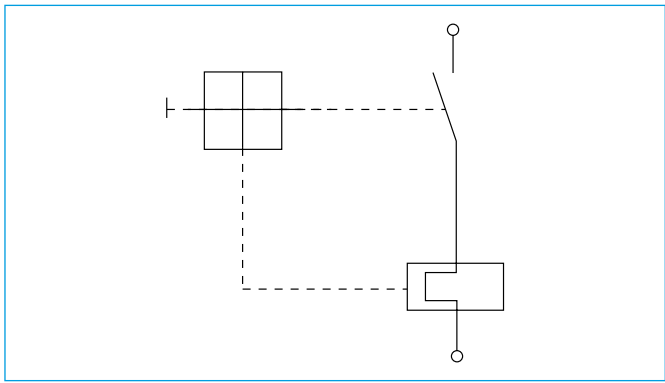
Current rating range (A)	Voltage drop (mV)	Current rating range (A)	Voltage drop (mV)
1	< 1000	8	< 250
1,5	< 500	9	< 250
2	< 500	10	< 250
2,5	< 500	11	< 250
3	< 250	12	< 250
3,5	< 250	13	< 250
4	< 250	14	< 250
5	< 250	15	< 250
6	< 250	16	< 250
7	< 250		

1

**Dimensions**

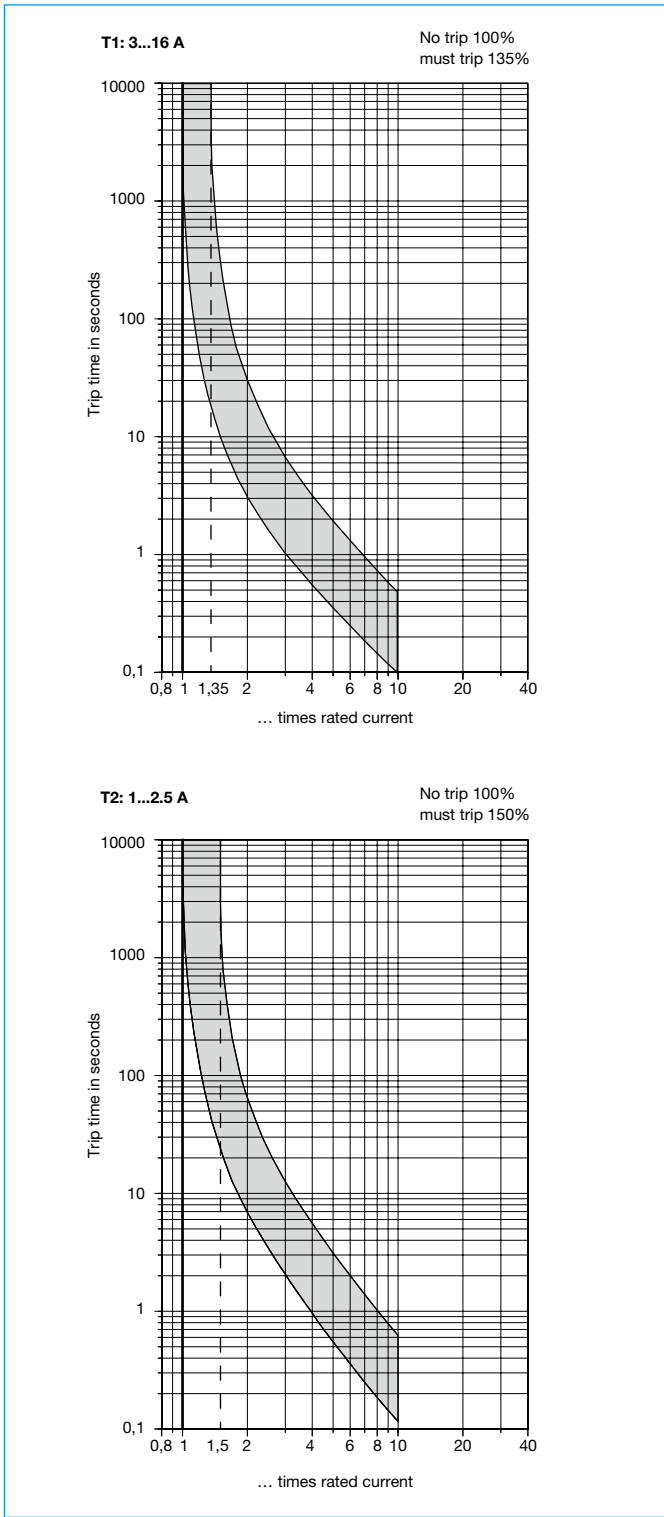


**Schematic diagram**



All dimensions without tolerances are for reference only. In the interest of improved design, performance and cost effectiveness, the right to make changes in these specifications without notice is reserved. Product markings may not be exactly as the ordering codes. Errors and omissions excepted.

**Time/current characteristics**



The time/current characteristic depends on the ambient temperature. In order to eliminate nuisance tripping, please multiply the current rating by a derating factor (see chapter Technical Information)

ambient temperature [°C]	-20	-10	0	+10	+25	+35	+40	+50	+60
Temperature factor	0,71	0,77	0,83	0,91	1	1,06	1,18	1,37	1,47

## X-ON Electronics

Largest Supplier of Electrical and Electronic Components

*Click to view similar products for [Circuit Breakers](#) category:*

*Click to view products by [ETA](#) manufacturer:*

Other Similar products are found below :

[LUGZX66-1-61-20.0-44](#) [M39019/01-221](#) [M39019/01-323](#) [M39019/01-336](#) [M39019/02-248](#) [M39019/02-311](#) [M39019/02-316](#) [M39019/04-249S](#) [M39019/05-246S](#) [M39019/06-254S](#) [M55629/1-016](#) [M55629/1-018](#) [M55629/1-021](#) [M55629/1-033](#) [M55629/1-036](#) [M55629/1-046](#) [M55629/1-048](#) [M55629/1-058](#) [M55629/1-067](#) [M55629/1-070](#) [M55629/1-079](#) [M55629/1-084](#) [M55629/1-085](#) [M55629/1-101](#) [M55629/1-109](#) [M55629/11-102](#) [M55629/1-120](#) [M55629/12-045](#) [M55629/12-046](#) [M55629/1-330](#) [M55629/1-366](#) [M55629/1-387](#) [M55629/1-401](#) [M55629/2-022](#) [M55629/2-030](#) [M55629/2-072](#) [M55629/2-082](#) [M55629/2-099](#) [M55629/2-101](#) [M55629/2-102](#) [M55629/21-BM-BM](#) [M55629/21-HM-HM](#) [M55629/21-NS-NS](#) [M55629/22-NR-NR-NR](#) [M55629/22-RS-RS-RS](#) [M55629/2-347](#) [M55629/2-401](#) [M55629/2-413](#) [M55629/3-030](#) [M55629/3-050](#)