

## Description

Wiring of load and signal lines in a space-saving manner will become ever more important for designers of electrical plants and systems, because all control cabinets and control boxes will have to be more and more compact due to the growing decentralisation of the entire automation technology. A significant cost reduction for the complete power distribution including wiring in the control cabinet will also play an important role.

The module 18plus holds a complete mounting and power distribution system for DIN rail mounting which has, together with the busbars, a fully-featured 80 A power distribution of the DC 24 V control voltage without additionally required terminals and connection lines. It allows a cost-effective realisation of e.g. an 11-way protection system, because you only have plug in the 11 required circuit breakers or protectors type 2210-S, ESS30 or ESX10 into the ready slots of the connection modules. Each connection module can be operated with max. 20A load current.

The signalling circuits of the individual devices for the group signalling by means of an integral auxiliary make contact are already pre-wired in this system. Line entry of the DC 24 V supply for LINE+, 0 Volt and functional earth FE is by means of plug-in type busbars. If no FE potential is supplied, all FE terminals may also be used as additional 0-Volt distribution.

All electrical connections are made by means of push-in terminals with the following properties:

- All conductors can be plugged in easily and without tools
- Reliable contact making
- Firm connection of the conductors due to high pull-out forces
- Ease of operation with any tool
- Contact reliability in the event of shock and vibration
- Gas-tight connection
- Maintenance-free

All pushers were designed in four different colours (red, blue, orange, grey) so as to easily distinguish the different voltage potentials and functions of the device.

Red =	conductor: supply 24V/LINE+	or protected load output/LOAD+
Blue =	return conductor: supply 0 Volt	or load/0 Volt
Orange =	functional earth supply FE	or load/FE
Grey =	signalling circuits:	
	supply 24V/terminal 13	or signal output terminal 14, LED load terminal 17

Module 18plus can be used in combination with the following plug-in type overcurrent protection devices:

- **Thermal-magnetic circuit breaker 2210-S**
- **Electronic circuit breakers ESS30-S003**
- **Electronic circuit protectors ESX10-103, ESX10-S103**

Module 18plus consists of three different basic modules:

- **supply module 18plus-EM-...**  
terminal 1 (LINE +), terminal 3 (0 V), terminal 4 (FE)  
terminal 13 (aux. contact input)
- **connection module 18plus-AM-...**  
terminal 2.1/2.2 (LINE +), terminal 3.1/3.2 (0 V), terminal 4.1/4.2 (FE)
- **signalling module type 18plus-SM-...**  
terminal 14 (aux. contact output)  
terminal 17 (GND for integral signal load 10mA with LED indication)

The connection module 18plus-AM has been designed to accommodate single pole circuit breakers and other overcurrent protection devices. Those will be plugged into the connection modules 18plus-AM. The single-way AM modules can be mounted side by side, enabling bigger distribution systems with up to 30 slots. Each AM module is fitted with 4 mm<sup>2</sup> push-in terminals for double connection



18plus

of DC 24 V loads via L+, 0V and FE, the max. load current is 20 A per slot.

By mounting the individual connection modules 18plus-AM side-by-side, all internal wiring connections are established for the group signalling. The make contacts of the plugged in electro-mechanical or electronic circuit breakers are connected in series on this occasion. In addition, a 10 mA load is included in the signalling module 18plus-SM holding a green LED indication. This also enables the connection of PLC or ET200 inputs with a high internal resistance value.

### Module 18plus fitted with 2210-S:

The integral auxiliary contact (make contact) of the thermal-magnetic circuit breakers 2210-S can be used for the group signalling. All required terminals (make contacts opening in the event of a failure) in the Module 18plus are connected in series for this purpose. Group signalling is realised via terminal 13 integrated in the supply module, the signal output is located in the signal module 18plus-SM, terminal 14. An additional signal load of 10 mA can be realised via the 0 V terminal of the control at terminal 17.

### Module 18plus fitted with ESS30-S003:

The 0V reference potential of the connection module 18plus-AM for the ESS30-S is already directly connected to the 0V potential of the supply terminal 18plus-EM and is then looped through to the next AM element over the blade terminals on the side. This means: The side-by-side mounting (plug together) of the individual AM modules simultaneously establishes all internal wirings for the 0 V potential and for the group fault indication (series connection of make contacts).

The ESS30-S003 has an integral auxiliary contact (change over contact). The contact SC-S0 is used for the group fault indication. For this purpose the contacts for this signalling are already connected in series in the 18plus modules. These are connected via two terminals – 13 (supply in 18plus-EM) and 14 (output in 18plus-SM).

### Module 18plus fitted with ESX10-103/ESX10-S103:

The 0 V reference potential of the connection module 18plus-AM for the ESX10-103 or the ESX10-S103 is already directly connected to the 0 V potential of the supply terminal 18plus-EM and is then looped through to the next AM element over the blade terminals on the side. This means: The side-by-side mounting (plug together) of the individual AM modules simultaneously establishes all internal wirings for the 0 V potential and for the group fault indication (series connection of make contacts).

The ESX10-103 or ESX10-S103 have an integral auxiliary contact (change over contact). The contact SC-S0 is used for the group fault indication. For this purpose the contacts for this signalling are already connected in series in the 18plus modules. These are connected via two terminals – 13 (supply in 18plus-EM) and 14 (output in 18plus-SM).

**Technical Data**

<b>Plug-in type circuit breakers</b>	2210-S; ESS30-S003; ESX10-103; ESX10-S103;
<b>Rated voltage</b>	AC 250 V; DC 24 V (optional to DC 80 V) IEC 60947-7-1 300 V / 30 V (UL 1059)
<b>Rated insulation voltage</b>	AC 250 V
<b>Main circuit, rated current I<sub>N</sub></b>	
supply module	80 A (IEC 60947-7-1) 65 A (UL1059)
connection module	20 A (IEC 60947-7-1) 16 A (UL1059)
<b>Signal circuits, rated current I<sub>N</sub></b>	
min. current (terminals 13 – 14)	min. 10 mA at DC 10 V
max. current	max. 1 A at DC 24 V
integral current load (terminals 13 – 17)	typically 12 mA at DC 24 V
<b>Busbar for power distribution</b>	
insulated busbar	I <sub>max</sub> 80 A (65 A UL 1059)
<b>Ambient temperature</b>	-30 °C ... +60 °C
<b>Installation temperature</b>	+5 °C ... +60 °C
<b>Storage temperature</b>	-40 °C ... +70 °C
<b>Mounting position</b>	as desired
<b>Creepage resistance</b>	PTI 600
<b>Mounting</b>	symmetrical rail EN 50022-35x7.5 symmetrical rail EN 50022-35x15/1.5
<b>EM supply module terminals (1; 3; 4)</b>	push-in terminal PT 16 0.5 – 16 mm <sup>2</sup> ; rigid (without) wire end ferrule* 20 – 6; AWG 0.5 – 16 mm <sup>2</sup> ; flexible (without) wire end ferrule* 20 – 6; AWG 0.5 – 16 mm <sup>2</sup> ; flexible with wire end ferrule* without plastic sleeve 0.5 – 16 mm <sup>2</sup> ; flexible with wire end ferrule* with plastic sleeve
<b>terminals (13; 15; 16)</b>	push-in terminal PT 4 0.2 – 6 mm <sup>2</sup> ; rigid (without) wire end ferrule* 24 – 12; AWG 0.2 – 4 mm <sup>2</sup> ; flexible (without) wire end ferrule* 24 – 12; AWG 0.25 – 4 mm <sup>2</sup> ; flexible with wire end ferrule* without plastic sleeve 0.25 – 4 mm <sup>2</sup> ; flexible with wire end ferrule* with plastic sleeve
<b>AM connection module terminals (2.1; 2.2; 3.1; 3.2; 4.1; 4.2)</b>	push-in terminal PT 4 0.2 – 6 mm <sup>2</sup> ; rigid (without) wire end ferrule* 24 – 12; AWG 0.2 – 4 mm <sup>2</sup> ; flexible (without) wire end ferrule* 24 – 12; AWG 0.25 – 4 mm <sup>2</sup> ; flexible with wire end ferrule* without plastic sleeve 0.25 – 4 mm <sup>2</sup> ; flexible with wire end ferrule* with plastic sleeve
<b>SM signalling module terminals (14; 15; 16)</b>	push-in terminal PT 4 0.2 – 6 mm <sup>2</sup> ; rigid (without) wire end ferrule* 24 – 12; AWG 0.2 – 4 mm <sup>2</sup> ; flexible (without) wire end ferrule* 24 – 12; AWG 0.25 – 4 mm <sup>2</sup> ; flexible with wire end ferrule* without plastic sleeve 0.25 – 4 mm <sup>2</sup> ; flexible with wire end ferrule* with plastic sleeve

**Technical Data**

<b>Wire stripping length</b>		
Push-in terminal PT 16	18 mm	
Push-in terminal PT 4	11 mm	
<b>Insulation co-ordination (IEC 60664-1)</b>		
Main circuit	rated impulse voltage	4kV
	pollution degree	3
	Overvoltage category III	
Auxiliary circuit	rated impulse voltage	0,8 kV
	pollution degree	3
	Overvoltage category III	
<b>Dielectric strength</b>		
Main circuit to main circuit		1500 V
Main circuit to auxiliary circuit		1500 V
Auxiliary circuit to auxiliary circuit		1500 V
<b>Insulation resistance</b> > 100 MΩ (DC 500 V)		
<b>Typical internal resistance values</b>		
Main circuit (EM1 – AM2.1/2.2);	without device	5 mΩ
Auxiliary circuit (1 x EM, 4 x AM, 1 x SM); (13 – 14 / make contact)	without device	60 mΩ;
	(+5 mΩ for each added AM)	
<b>Typical mounting values (circuit breaker)</b>		
Typical push-in force		approx. 130 N
Typical pull-out force		approx. 150 N
<b>Number of push-on operations</b>		
devices		50
busbar		20
<b>Mass</b>		
Module 18plus EM		approx. 70 g
Module 18plus AM		approx. 60 g
Module 18plus SM		approx. 45 g
<b>Vibration (sinusoidal)</b>		
test to IEC 60068-2-6, test Fc		5 g (57-500Hz), ± 0,38 mm (10-57 Hz)
<b>Shock</b>		
test to IEC 60068-2-27, test Ea		25 g (11 ms)
<b>Humidity</b>		
test to IEC 60068-2-78, test Cab		240 hrs. in 95% RH
<b>Corrosion</b>		
Test to DIN IEC 60068-2-11, test Ka		96 hours in 5% salt mist

\*) Application note: We recommend a square crimp shape when using wire end ferrules.

## Approvals

Approval authority	Standard	File-Certificate Nr.	Rated voltage	Rated voltage
UL	UL1059, CSA C22.2, No. 158	E335289 V1 S3	300 V / 30 V (signal)	65 A / 16 A / 1 A (signal)

## CE logo

CE logo according to EN 60947-7-1

## Features and Benefits

- Complete mounting and power distribution system for rail mounting
- Together with the busbars it holds a fully-fledged 80A potential distribution of the DC24V control voltage without additionally required connection terminals or connecting cables
- All electrical connections are implemented via screwless push-in terminals. All pushers were designed in four different colours (red, blue, orange, grey) so as to easily distinguish the different voltage potentials and functions of the device.

Supply terminals PLUS connecting terminals PLUS signalling terminals PLUS integral wiring harness PLUS flexible circuit breaker population ...  
... mutually complete their effects

- Modular compact system for rail mounting as a complete package, containing
- Load wiring with integral terminals without additional potential distribution
- Plug-in type overcurrent protection for all requirements in the DC 24 V area
- Integral power distribution up to 80 A
- Integral group signal wiring, make contacts
- Future bus connection for **ControlPlex®** applications
- Push-in terminals for reliable wiring, even with shock and vibration

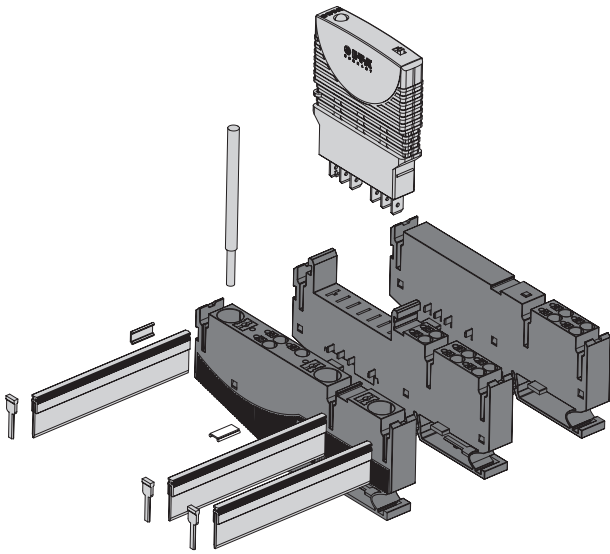
## User benefits

- Saves component costs for wiring and for additional parts because the cable harness and the potential distribution are already included
- Reduces costs through ease of electrical planning, of mounting in system and plant service, of procurement etc.
- Perfectly matches centralised and decentralised power distribution concepts
- Saves expenses in logistics through use of only few, standardised components
- High application flexibility through population with different circuit breaker models

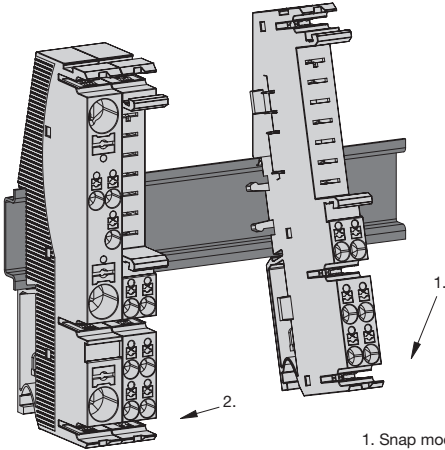
## Available versions

18plus-EM02-00-PT01-01	18plus supply module, compact version with group signalling make contact
18plus-AM02-00-PT01-01	18plus connection module for circuit breaker types 2210-S, ESS30-S003, ESX10-103/ESX10-S103, compact version with group signalling make contact
18plus-SM02-01-PT01-01	18plus signalling module for compact version with group signalling make contact, with integral signal load 10 mA
18plus-SM00	18plus spacer / empty housings

**Mounting**

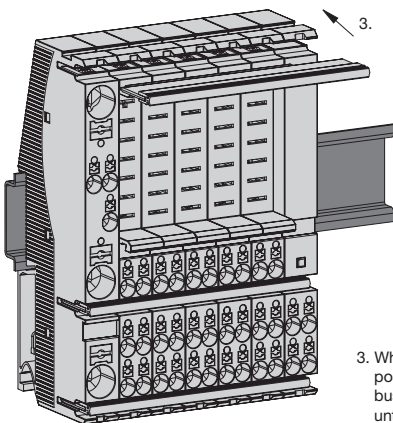


Mounting the modules:



1. Snap module onto rail
2. Push modules on the rail until they catch on audibly

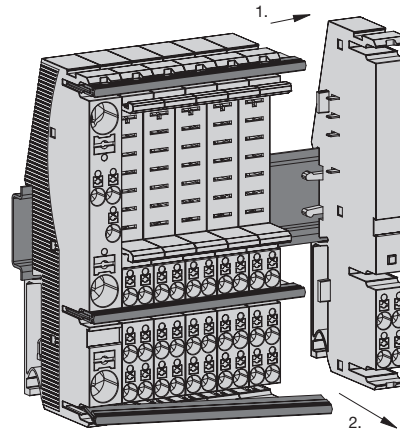
Mounting the busbars:



3. When all modules are positioned correctly, insert busbars in correct position until stop

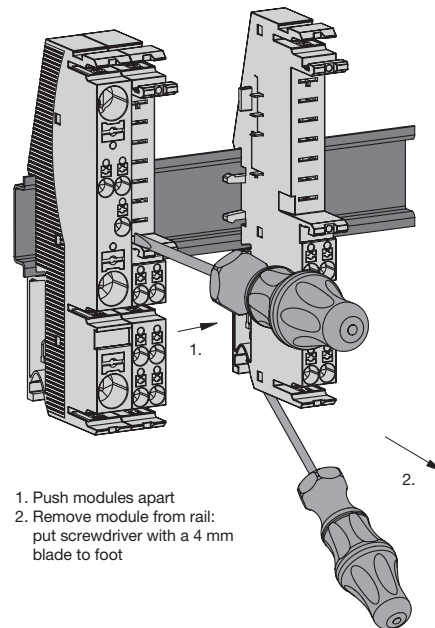
**Disassembly**

Removing the busbars:



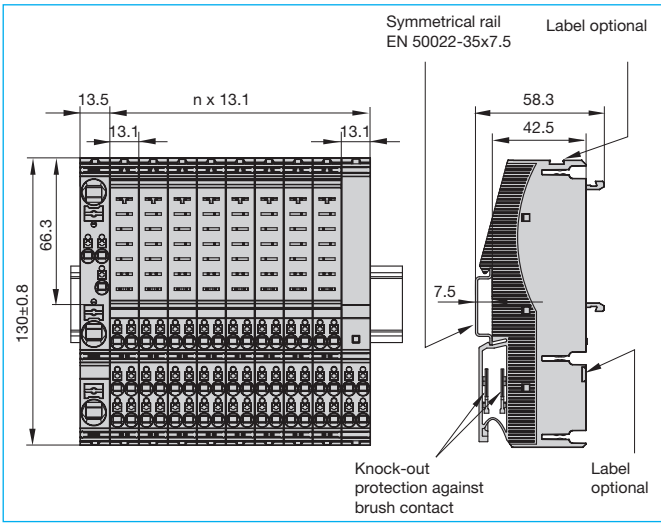
1. Push away signalling module to remove busbar
2. Pull busbar out of the groove

Removing the modules:

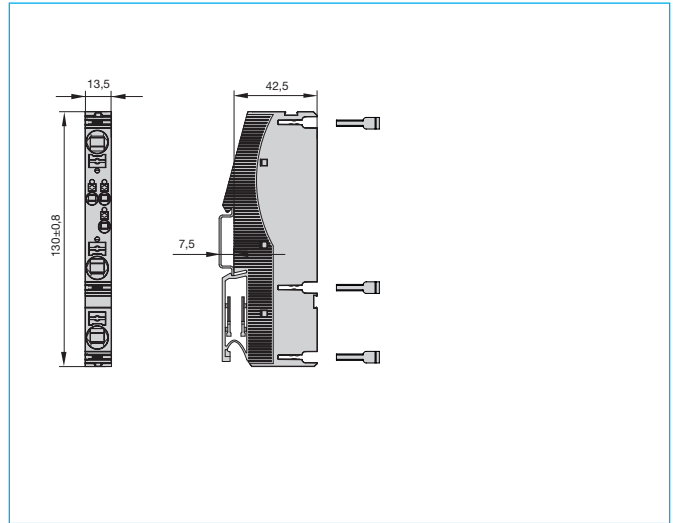


1. Push modules apart
2. Remove module from rail: put screwdriver with a 4 mm blade to foot

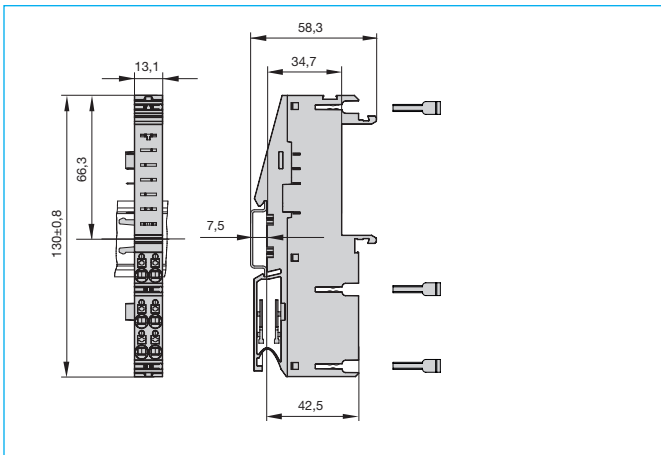
**Dimensions of socket system**



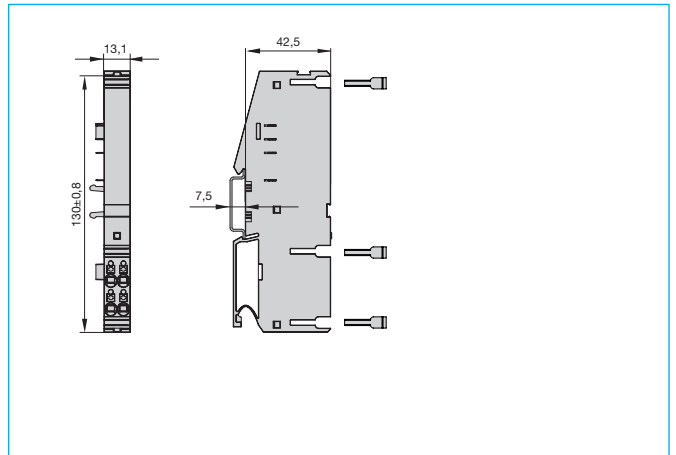
**Dimensions EM**



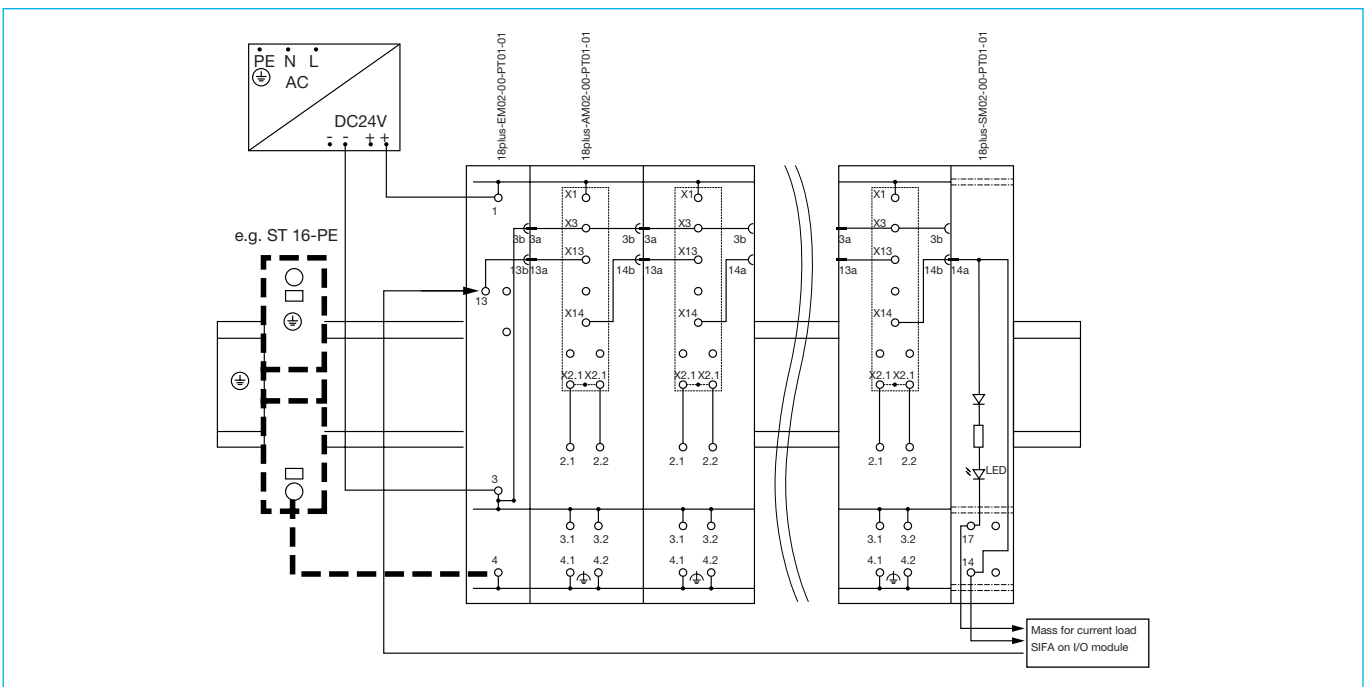
**Dimensions AM**



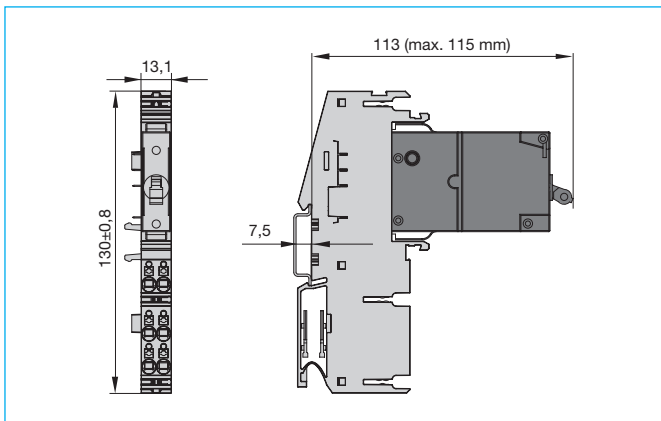
**Dimensions SM**



**Wiring diagram, without circuit breakers**



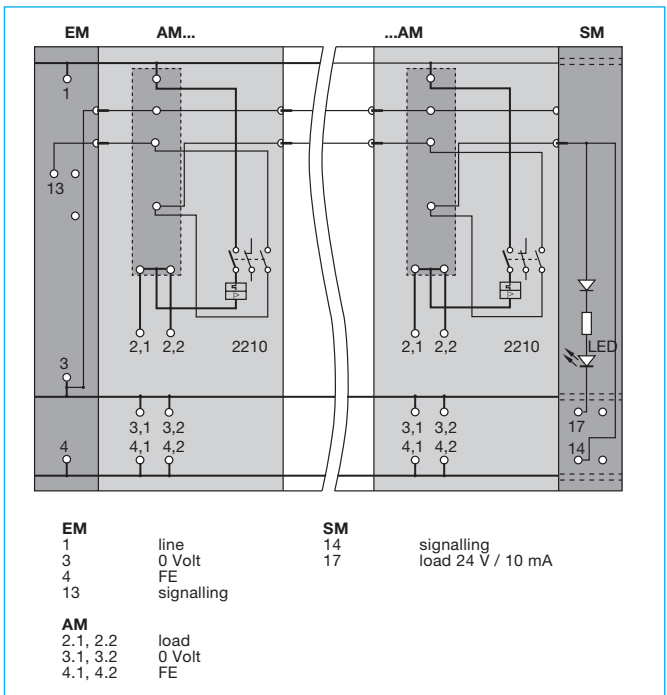
**Dimensions, with 2210-S**



**Pin assignment, with 2210-S**

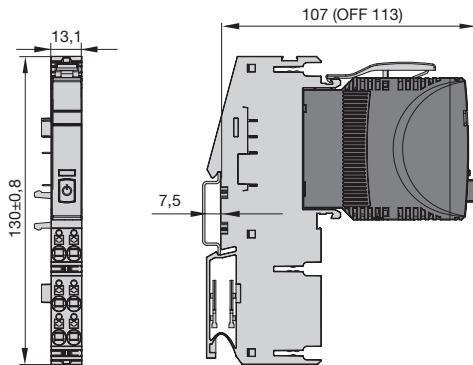
2210-S..	module 18plus compact	
1	1	—
11 (n.a.)	3	—
23	13	—
24	14	—
12 (n.a.)		—
2	2.1, 2.2	—

**Schematic diagram, with 2210-S**

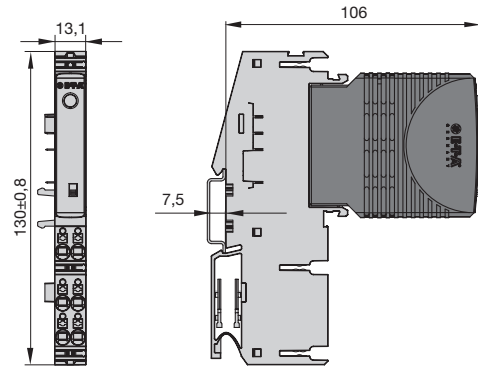


**Dimensions, with ESS30-S003**

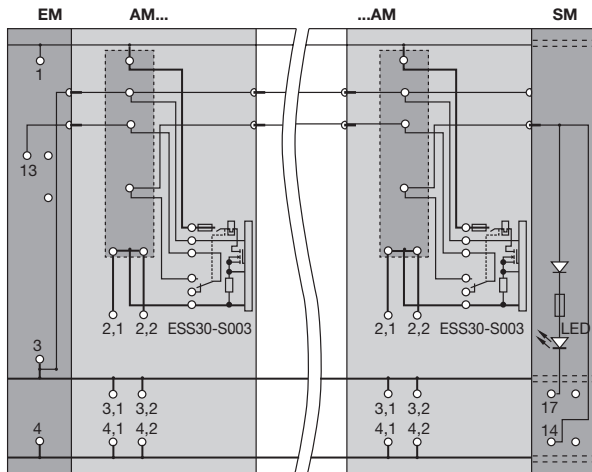
With optional retaining clip:



**Dimensions, with ESX10-103 / ESX10-S103**

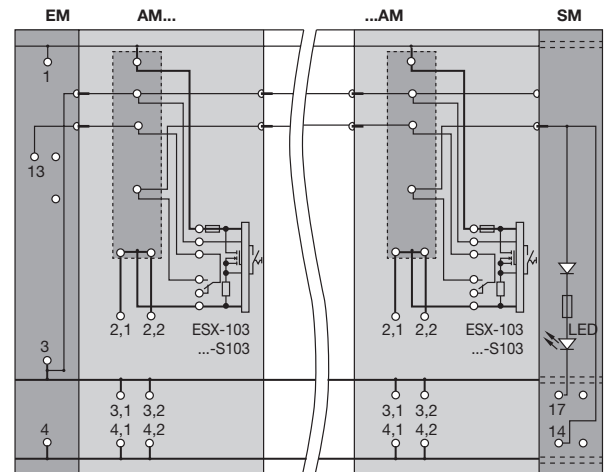


**Schematic diagram, with ESS30-003**



<b>EM</b>		<b>SM</b>	
1	line	14	signalling
3	0 Volt	17	load 24 V / 10 mA
4	FE		
13	signalling		
<b>AM</b>			
2.1, 2.2	load		
3.1, 3.2	0 Volt		
4.1, 4.2	FE		

**Schematic diagram, with ESX10-103 / ESX10-S103**



<b>EM</b>		<b>SM</b>	
1	line	14	signalling
3	0 Volt	17	load 24 V / 10 mA
4	FE		
13	signalling		
<b>AM</b>			
2.1, 2.2	load		
3.1, 3.2	0 Volt		
4.1, 4.2	FE		

**Pin assignment, with ESS30-S003**

<b>ESS30-S003</b>	<b>module 18plus compact</b>	
LINE (+)	1	—
GND	3	—
SC	13	—
SO	14	—
SI (n.a.)		—
LOAD (+)	2.1, 2.2	—

**Pin assignment, with ESX10-103 / ESX10-S103**

<b>ESX10-103</b> <b>ESX10-S103</b>	<b>module 18plus compact</b>	
LINE (+)	1	—
GND	3	—
SC	13	—
SO	14	—
SI (n.a.)		—
LOAD (+)	2.1, 2.2	—

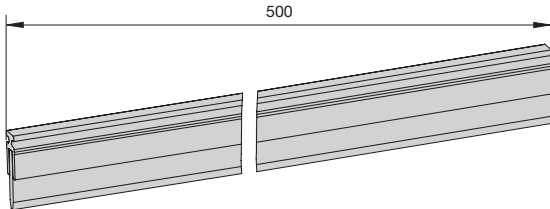
## Accessories

### Busbar

**X 222 611 02** busbar for LINE, 0 V, FE, grey insulation, 500 mm

### FTG-Busbar

**X 223 571 01** busbar for LINE, 0 V, FE, grey insulation, 500 mm



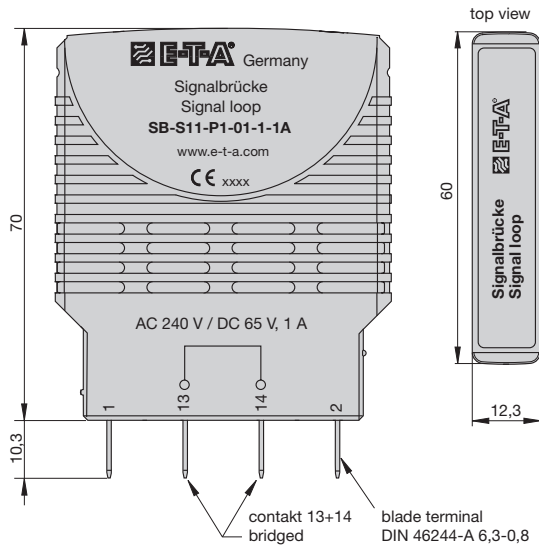
### X 222 977 50

white marking label, unmarked, packaging unit = 50 pcs, (10 strips, 1 strip consists of 5 labels)

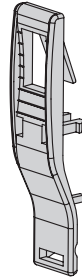


### Jumper

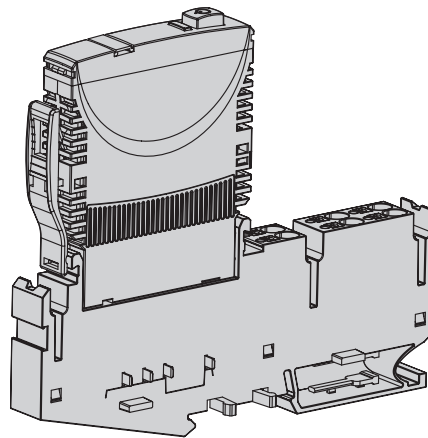
**SB-S11-P1-01-1-1A**



### Retaining clip Y 311 978 01

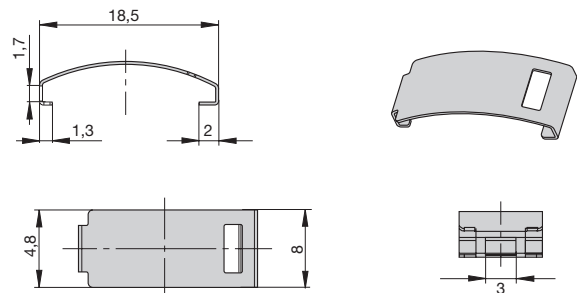


Installation example with ESS30-S with optional retaining clip



### Retaining clip Y 307 754 01

Retaining clip for ESS20 / ESX10 / SB-S11-P1-01-1-1A



6

All dimensions without tolerances are for reference only. E-T-A reserves the right change specifications at any time in the interest of improved design, performance and cost effectiveness, the right to make changes in these specifications without notice is reserved. Product markings may not be exactly as the ordering codes. Errors and omissions excepted.



## X-ON Electronics

Largest Supplier of Electrical and Electronic Components

*Click to view similar products for [Circuit Breakers](#) category:*

*Click to view products by [ETA](#) manufacturer:*

Other Similar products are found below :

[LUGZX66-1-61-20.0-44](#) [M39019/01-201S](#) [M39019/01-221](#) [M39019/01-323](#) [M39019/01-333](#) [M39019/01-336](#) [M39019/02-248](#) [M39019/02-311](#) [M39019/02-316](#) [M39019/04-249S](#) [M39019/05-246S](#) [M39019/06-254S](#) [M55629/1-016](#) [M55629/1-018](#) [M55629/1-021](#) [M55629/1-033](#) [M55629/1-036](#) [M55629/1-046](#) [M55629/1-048](#) [M55629/1-058](#) [M55629/1-067](#) [M55629/1-070](#) [M55629/1-079](#) [M55629/1-084](#) [M55629/1-085](#) [M55629/1-101](#) [M55629/1-109](#) [M55629/11-102](#) [M55629/1-120](#) [M55629/12-045](#) [M55629/12-046](#) [M55629/1-330](#) [M55629/1-366](#) [M55629/1-387](#) [M55629/1-401](#) [M55629/1-450](#) [M55629/2-022](#) [M55629/2-030](#) [M55629/2-072](#) [M55629/2-082](#) [M55629/2-099](#) [M55629/2-101](#) [M55629/2-102](#) [M55629/21-BM-BM](#) [M55629/21-HM-HM](#) [M55629/21-NS-NS](#) [M55629/22-NR-NR-NR](#) [M55629/22-RS-RS-RS](#) [M55629/2-347](#) [M55629/2-401](#)