

Description

Miniaturised single pole thermal-magnetic circuit breakers with trip-free mechanism and toggle actuation (S-type TM CBE to EN 60934). Two designs provide the option of either printed circuit board or threadneck panel mounting. A separate shunt tap terminal and auxiliary contacts are available. Fast acting, medium or long delay characteristics can be specified for both models.

Suitable for use in distribution rails – see section Power Distribution Systems.

Complies with CBE standard EN 60934 (IEC 60935).

Typical applications

Control equipment, communications systems, instrumentation.
Suitable for mounting on Euro cards.

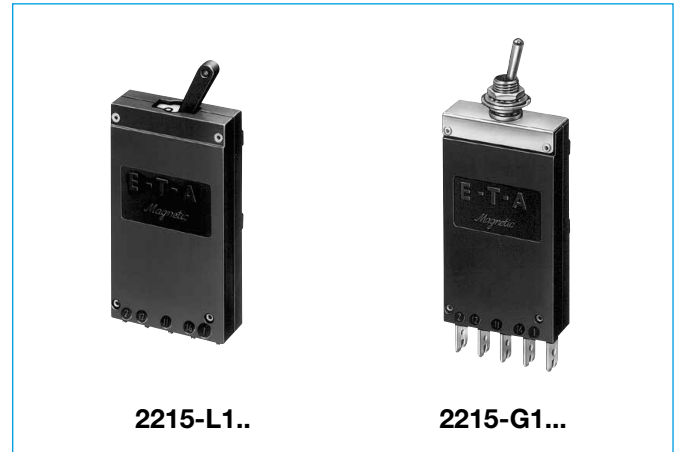
Ordering information 2215-G1

Type No.			
2215	single pole thermal-magnetic circuit breaker		
Mounting			
G1	threadneck panel mounting		
Number of poles			
1	1-pole protected		
Mounting hardware			
1	2 hex nuts 1/4"-40 UNS-2A, serrated washer, location pin (-G1 only)		
Terminal design (main contacts)			
P1	blade terminals 6.3-0.8, without shunt terminal		
Characteristic curve			
F1	fast acting: 1.01-1.4xI _N ; magn. 2-4xI _N DC (DC only)		
M1	standard delay: therm. 1.01-1.4xI _N ; magn. 4.5-10.5xI _N DC; magn. 3.5-8xI _N AC		
T1	delayed: therm. 1.01-1.4xI _N ; DC magn. 8-17xI _N DC, 6-13xI _N AC		
Auxiliary contacts			
S0	without auxiliary contact		
S11	with auxiliary contact (change over) blade terminals 6.3x0.8 (QC .250)		
Current ratings			
0.05...10 A			
2215 - G1 1 1 - P1 F1 - S11 - 0.5 A ordering example			

Ordering information 2215-L1

Type No.			
2215	single pole thermal-magnetic circuit breaker		
Mounting			
L1	PCB mounting		
Number of poles			
1	1-pole protected		
Mounting hardware			
0	without accessories		
Terminal design (main contacts)			
L1	solder pins, without shunt terminal		
Characteristic curve			
F1	fast acting: 1.01-1.4xI _N ; magn. 2-4xI _N DC (DC only)		
M1	standard delay: therm. 1.01-1.4xI _N ; magn. 4.5-10.5xI _N DC; magn. 3.5-8xI _N AC		
Auxiliary contacts - terminal design			
S0	without auxiliary contact		
S12	with auxiliary contact (change over) solder pins		
Current ratings			
0.05...10 A			
2215 - L1 1 0 - L1 F1 - S12 - 0.5 A ordering example			

Please be informed that we have minimum ordering quantities to be observed.



Technical data

For further details please see: www.e-t-a.de/ti_e

Voltage rating	AC 250 V (50/60 Hz); DC 50 V (UL: AC 250 V; DC 75 V)		
Current rating range	0.05...10 A (higher current ratings to special order)		
Auxiliary circuit	1 A, AC 250 V / DC 28 V		
Typical life	10,000 operations at 1 x I _N		
Ambient temperature	-30...+60 °C (-22...+140 °F)		
Insulation co-ordination (IEC 60664 and 60664 A)	rated impulse withstand voltage 2.5 kV	pollution degree 2	reinforced insulation in operating area
Dielectric strength IEC 60664 and 60664A)	test voltage operating area AC 3,000 V main/aux. circuit AC 1,500 V		
Insulation resistance	> 100 MΩ (DC 500 V)		
Interrupting capacity I _{cn}	300 A		
Interrupting capacity (UL 1077)	I _N 0.05 A 0.1...6 A 8...10 A 0.05...10 A	U _N AC 250 V AC 250 V AC 250 V DC 50 V	200 A 1,000 A 2,000 A 1,000 A
Degree of protection (IEC 60529/DIN 40050)	operating area IP30 terminal area IP00		
Vibration	curve F1: 6 g (57-500 Hz), ± 0.46 mm (10-57 Hz) curves M1, T1: 8 g (57-500 Hz), ± 0.61 mm (10-57 Hz) to IEC 60068-2-6, test Fc 10 frequency cycles/axis		
Shock	curves F1, M1, T1: 30 g (11 ms), directions 1, 2, 3, 4, 5, curve F1: 10 g (11 ms), direction 6 curves M1, T1: 15 g (11 ms), direction 6 to IEC 60068-2-27, test Ea		
Corrosion	96 hours at 5 % salt mist to IEC 60068-2-11, test Ka		
Humidity	240 hours at 95 % RH to IEC 60068-2-78, test Cab		
Mass	approx. 25 g		

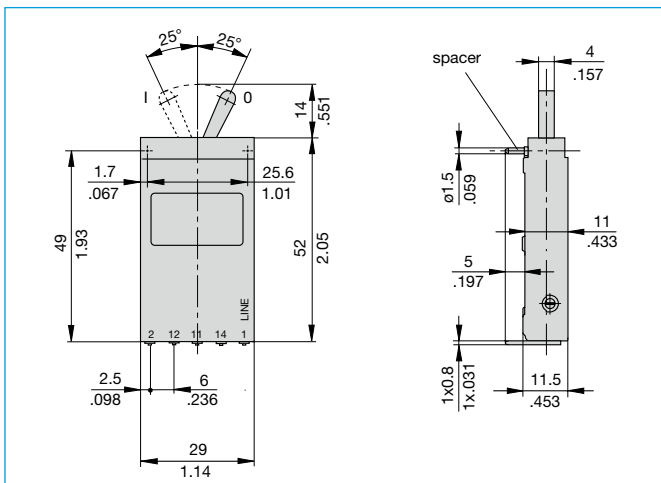
Approvals

Authority	Standard	Rated voltage	Current ratings
UL	UL 1077	AC 250 V DC 75 V	0.05 A...10 A 0.05 A...10 A (20 A)
CSA	C22.2 No. 235	AC 250 V DC 75 V	0.05 A...10 A 0.05 A...10 A (20 A)

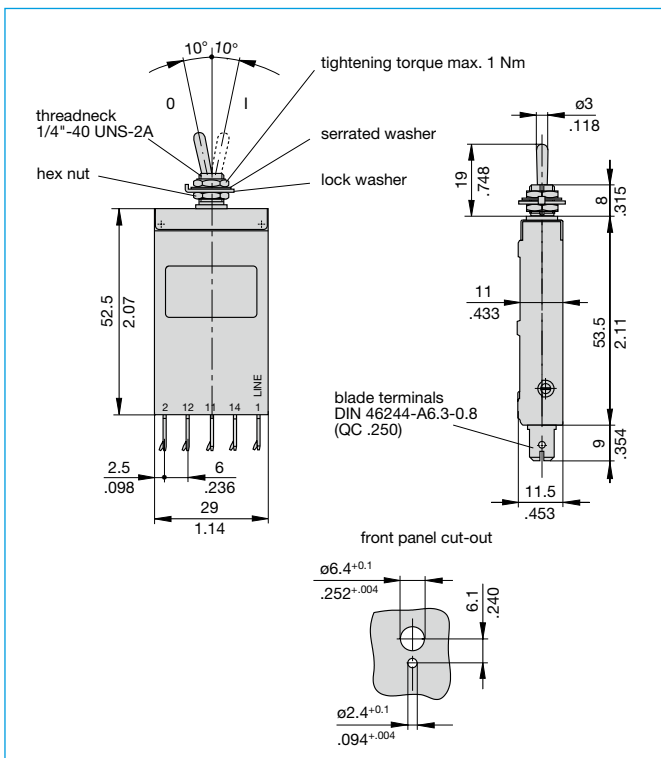
Standard current ratings and typical internal resistance values

Current ratings (A)	Internal resistance (Ω)	Current ratings (A)	Internal resistance (Ω)
0.05	440	1.5	0.55
0.1	108	2	0.34
0.2	29.9	2.5	0.21
0.3	14.2	3	0.15
0.4	7.9	4	0.084
0.5	5.0	5	0.057
0.6	3.5	6	0.043
0.8	1.8	8	≤ 0.02
1	1.2	10	≤ 0.02

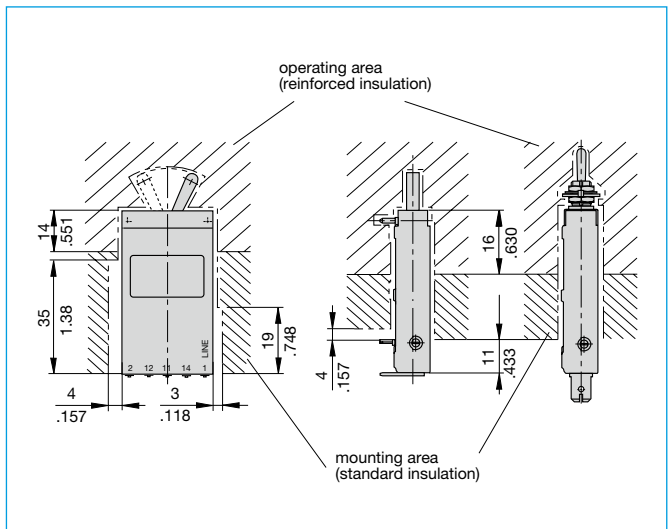
Dimensions 2215-L1..



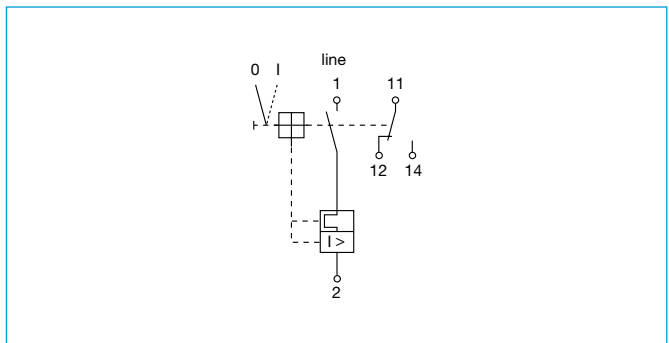
Dimensions 2215-G1..



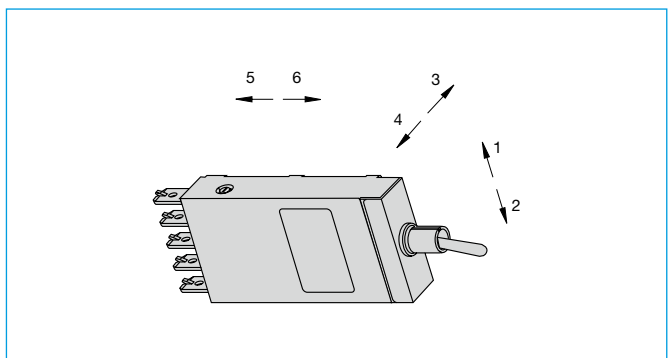
Installation drawing



Internal connection diagram

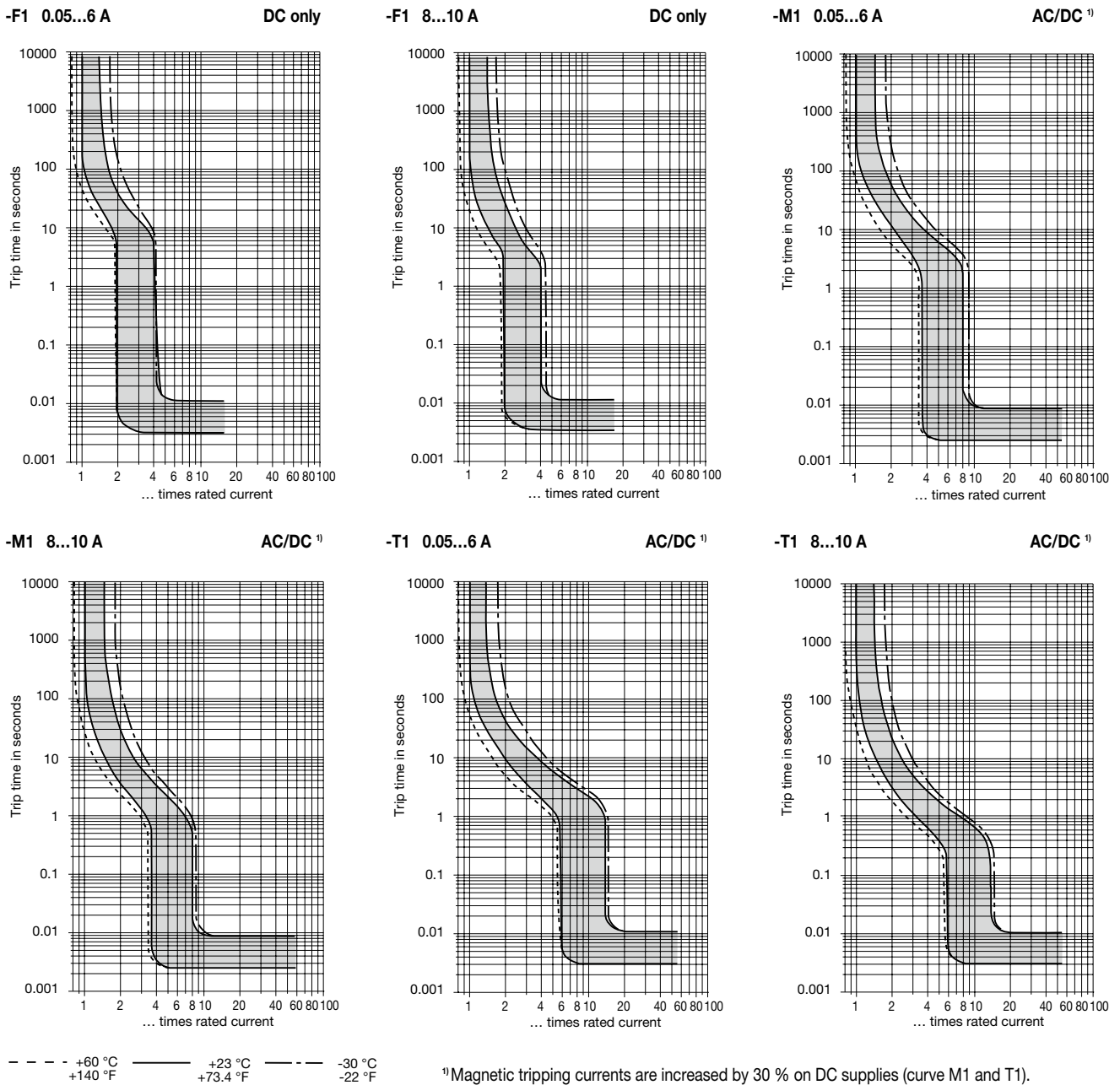


Shock directions



This is a metric design and millimeter dimensions take precedence ($\frac{\text{mm}}{\text{inch}}$)

Typical time/current characteristics



0.05...10 A:

Ambient °F temp. °C	-22 -30	-4 -20	+14 -10	+32 0	+73.4 +23	+86 +30	+104 +40	+122 +50	+140 +60
Derating factor	0.76	0.79	0.83	0.88	1	1.04	1.11	1.19	1.29

The time/current characteristic curve depends on the ambient temperature prevailing. In order to eliminate nuisance tripping, please multiply the circuit breaker current ratings by the derating factor shown below. See also section Technical information.

All dimensions without tolerances are for reference only. In the interest of improved design, performance and cost effectiveness the right to make changes in these specifications without notice is reserved. Product markings may not be exactly as the ordering codes. Errors and omissions excepted.

X-ON Electronics

Largest Supplier of Electrical and Electronic Components

Click to view similar products for [Circuit Breakers](#) category:

Click to view products by [ETA](#) manufacturer:

Other Similar products are found below :

[0185080.X](#) [0185100.XP](#) [0185150.XP](#) [0700005](#) [0700007](#) [0700010](#) [0700015](#) [0700020](#) [0700025](#) [0700030](#) [0700040](#) [0712107](#) [0712123](#)
[0712152](#) [0712194](#) [0712217](#) [0712233](#) [0712259](#) [0712275](#) [0712291](#) [0712314](#) [0900100](#) [0900113](#) [0900126](#) [0900207](#) [0900210](#) [0900317](#)
[0900333](#) [0900414](#) [0900618](#) [0900634](#) [0900812](#) [0901002](#) [0902030](#) [0902056](#) [0902072](#) [0902098](#) [0902108](#) [0902111](#) [0902124](#) [0902137](#)
[0902218](#) [0902221](#) [0902247](#) [0902263](#) [0902328](#) [0902331](#) [0902344](#) [0902409](#) [0902412](#)