

Description

Two pole rocker switch/thermal-magnetic circuit breaker with trip-free mechanism (S-type TM CBE to EN 60934). The addition of a magnetic tripping module to the type 3120 range described in catalogue section Thermal Overcurrent Circuit Breakers extends the choices available (thermal-magnetic protection in pole 1, thermal or no protection in pole 2). All are offered with rocker switch or push button control - two buttons for ON/OFF or one button press-to-reset only, in designs to suit one of three different panel cut-out sizes. Illumination is optional. Approved to CBE standard EN 60934 (IEC 60934).

Meets the requirements regarding fire resistance of EN 60335-1: 2007-02 Safety of household and similar electrical appliances.

Typical applications

Motors, machine tools, office equipment, appliances.

Standard current ratings and typical internal resistance values

Current ratings (A)	Internal resistance per pole (Ω)	
	thermal-magnetic	thermal
0.1	165	94
0.2	42.5	24
0.3	20.2	12
0.4	9.7	5.40
0.5	7.17	4.30
0.6	4.9	3
0.8	2.65	1.50
1	1.49	0.9
1.2	1.25	0.7
1.5	0.74	0.45
2	0.49	0.29
2.5	0.20	0.0785
3	0.14	0.0595
3.5	0.114	0.0565
4	0.092	0.0435
5	0.06	0.0325
6	0.043	0.0215
7	0.030	0.0215
8	0.029	0.02
10	0.021	0.02
12	< 0.02	< 0.02
14	< 0.02	< 0.02
15	< 0.02	< 0.02
16	< 0.02	< 0.02



3120-...-M...

Technical data

For further details please see: http://www.e-t-a.de/ti_e

Voltage rating	AC 240 V (50/60 Hz); DC 50 V		
Current ratings	0.1...16 A		
Typical life	0.1...16 A 50,000 operations at 1 x I _N , ind.		
Ambient temperature	-30...+60 °C (-22...+140 °F)		
Insulation co-ordination (IEC 60664 and 60664 A)	rated impulse withstand voltage	pollution degree 2	
	2.5 kV reinforced insulation in operating area		
Dielectric strength (IEC 60664 and 60664A)	test voltage		
	operating area	AC 3,000 V	
	current path/current path	AC 1,500 V	
Insulation resistance	> 100 MΩ (DC 500 V)		
Interrupting capacity I _{cn}	AC 0.1...2 A	100 x I _N	
	AC 2.5...16 A	250 A	
	DC 0.1...16 A	10 x I _N	
Interrupting capacity (UL 1077)	I _N	U _N	
	0.1...10 A	AC 250 V	I _{nc} 2,000 A
	0.1...16 A	DC 125 V	1,000 A
Degree of protection (IEC 60529/DIN 40050)	operating area IP40		
	(with water splash protection IP54) terminal area IP00		
Vibration	8 g (57-500 Hz) ± 0.61 mm (10-57 Hz) to IEC 60068-2-6, test Fc 10 frequency cycles/axis		
Shock	30 g (11 ms) to IEC 60068-2-27, test Ea		
Corrosion	96 hours at 5 % salt mist to IEC 60068-2-11, test Ka		
Humidity	240 hours at 95 % RH to IEC 60068-2-78, test Cab		
Mass	approx. 53 g (2-pole)		
	approx. 50 g (1-pole)		

Illumination voltage / Power consumption

Operating voltage	Power consumption		
	Y	R	G
230 V	2.2 mA	0.9 mA	0.9 mA

Ordering information 3120 with rocker switch

Type	3120 thermal-magnetic circuit breaker
Mounting	F snap-in frame
Size of frame	<p>3 Standard, to fit in cut-out 50.5 x 21.5 mm panel thickness 1 - 6.35 mm (.039-.250 in)</p> <p>5 Standard, to fit in cut-out 44.5 x 22 mm panel thickness 1 - 4 mm (.039-.157 in)</p> <p>7 Design, to fit in cut-out 45 x 22 mm panel thickness 1 - 4 mm (.039-.157 in)</p>
Number of poles	<p>2 2-pole switching and 2-pole protected (pole 1: thermal-magnetically protected, pole 2: thermally protected)</p> <p>5 2-pole switching and 1pole thermal-magnetically protected</p>
Mounting frame design	<p>1 collar height 1 mm (.039 in)</p> <p>3 collar height 9 mm (.354 in)</p> <p>4 collar height 2 mm (.079 in) with water splash protection (IP54)</p>
Mounting frame design (F7)	
R	black
T	black with snap-on splash cover
Terminal configuration	<p>P7 all 4 terminals 12(k), 22(k), 11, 21 blade terminals 2x2.8-0.8</p> <p>H7 12(k), 22 (k): blade terminals 2x2.8-0.8 11, 21: flat head screw M3.5, blade terminals 2x2.8-0.8</p> <p>G7 as H7, but terminals 12(i) and 22(i) are blade terminals 2x2.8-0.8 (shunt terminal)</p>
Characteristic curve	M1 standard delay, therm. 1.01-1.4 x I _N ; magn. 4-9 x I _N AC
Switch style	W standard rocker (F3 & F5)
A	specially designed rocker (F7)
Colour and illumination	<p>01 . rocker black opaque without illumination</p> <p>02 . rocker white opaque without illumination</p> <p>04 . rocker red opaque without illumination</p> <p>14 . R rocker red translucent with LED-illumination</p> <p>15 . Y rocker orange translucent with LED-illumination</p> <p>19 . G rocker green translucent with LED-illumination</p>
	Rocker markings for F3 and F5
A	
D	
F	
X	
	Rocker markings for F7
Q	l« and »O« moulded in
	Illumination voltage range
1	10 - 14 V DC
2	20 - 28 V DC
3	90 - 140 V AC
4	185 - 275 V AC
	Current ratings
	0,1...16 A

3120 -F 3 2 1 - P7 M1-W 14 A R 4 - 10 A ordering example

The exact part number required can be built up from the table of choices shown above. Ordering references for optional features should be omitted if not required.

Please be informed that we have minimum ordering quantities to be observed.

Ordering information 3120 with push buttons

Type	3120 thermal-magnetic circuit breaker
Mounting	F snap-in frame
Size of frame	3 to fit in cut-out 50.5 x 21.5 mm panel thickness 1 - 6.35 mm
Number of poles	<p>2 2-pole switching and 2-pole protected (pole 1: thermal-magnetically protected, pole 2: thermally protected)</p> <p>5 2-pole switching and 1pole thermal-magnetically protected</p>
Mounting frame design	<p>F frame with two push buttons</p> <p>G frame with one push button</p>
Terminal configuration	<p>P7 all 4 terminals 12(k), 22(k), 11, 21 blade terminals 2x2.8-0.8</p> <p>H7 12(k), 22 (k): blade terminals 2x2.8-0.8 11, 21: flat head screw M3.5, blade terminals 2x2.8-0.8</p>
Characteristic curve	M1 standard delay, therm. 1.01-1.4 x I _N ; magn. 4-9 x I _N AC
Actuator style / colour / illumination	<p>D 01X 1 push button* black opaque without illumination</p> <p>D 02X 1 push button* white opaque without illumination</p> <p>D 04X 1 push button* red opaque without illumination</p> <p>D 19XG 1 push button* green translucent with LED-illumination</p> <p>SGRX 2 push buttons green/red opaque without illumination</p> <p>SGRXG 2 push buttons green/red translucent with LED-illumination</p>
	Illumination voltage range
1	10 - 14 V DC
2	20 - 28 V DC
3	90 - 140 V AC
4	185 - 275 V AC
	Current ratings
	0.1...16 A

3120 -F 3 2 F - P7 M1 - SGRXG 4 - 10 A ordering example

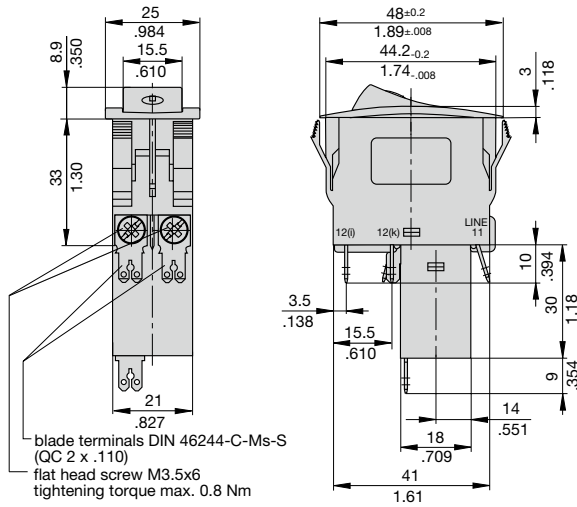
*Reset only
Other push button colours upon request

Approvals

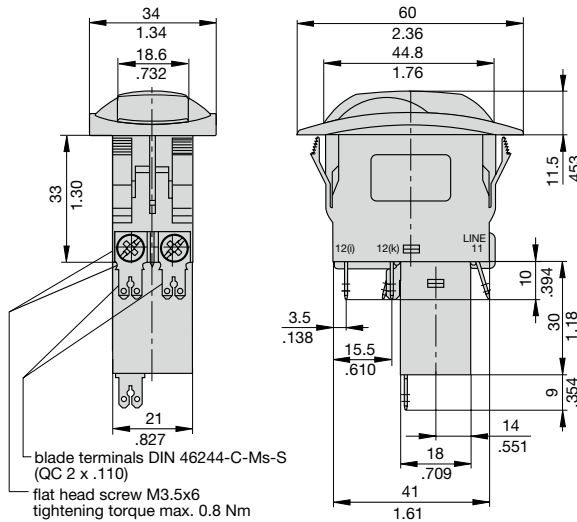
Authority	Standard	Rated voltage	Current ratings
VDE	IEC / EN 60934	AC 240 V DC 50 V	0.1...16 A 0.1...16 A
UL	UL 1077	AC 250 V AC 125 V	0.1...10 A 0.1...16 A
CSA	C22.2 No 235	AC 250 V DC 125 V	0.1...10 A 0.1...14 A
CQC (CCC)	GB 17701	AC 240 V DC 50 V	0.1...16 A 0.1...16 A

Dimensions

Mounting style -F7.R

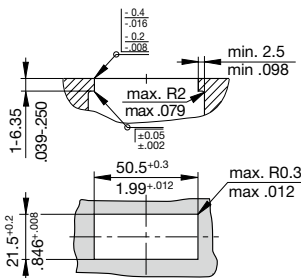


Mounting style -F7.T

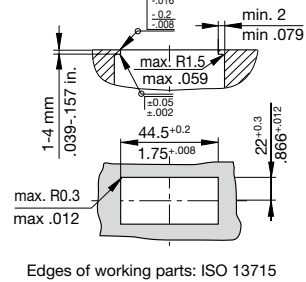


Cut-out dimensions

Cut-out for mounting style -F3 with rocker and push button

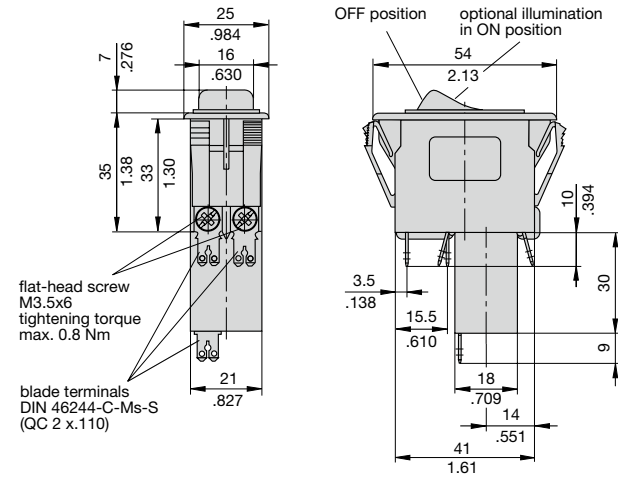


Cut-out for mounting style -F5 with rocker



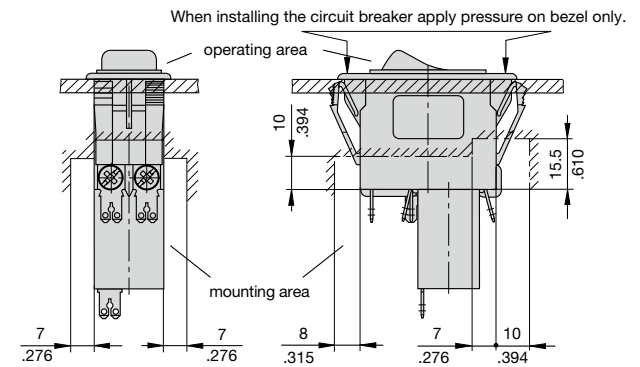
Dimensions

Mounting style -F3.1, with rocker – Collar height 1 mm



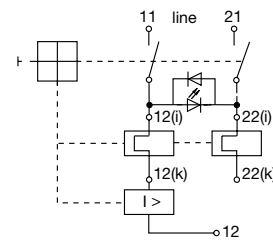
Installation drawing

Required safety distances for rocker and push button

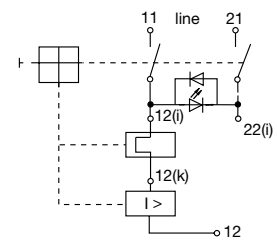


Internal connection diagrams

therm.-magn. protection on one pole thermally protected on the other pole

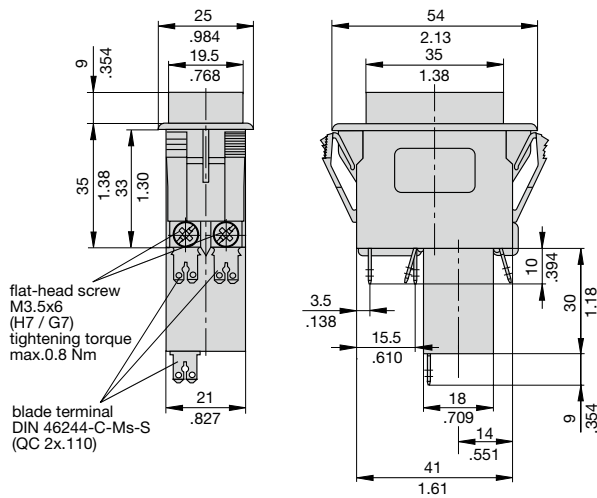


therm.-magn. protection on one pole unprotected on the other pole

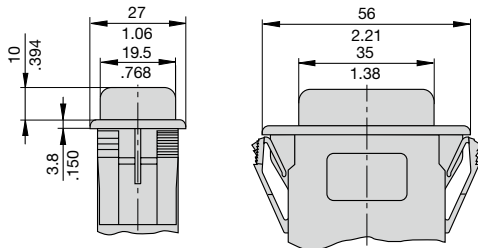


Mounting frame variants

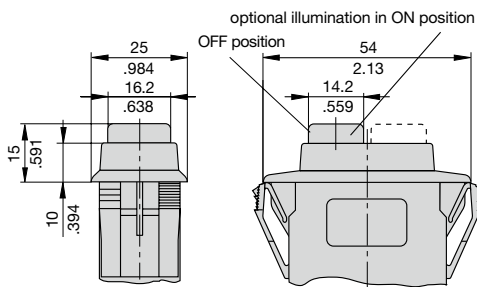
Mounting style F3.3 with rocker
collar height 9 mm (.354 in.)



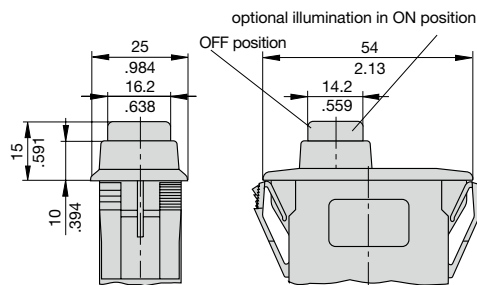
Mounting style F3.4 with rocker
collar height 2 mm (.079 in.), with water splash protection



Mounting style F3.F-...-S-...
with 2 push buttons



Mounting style F3.G-...-D-...
with 1 push button



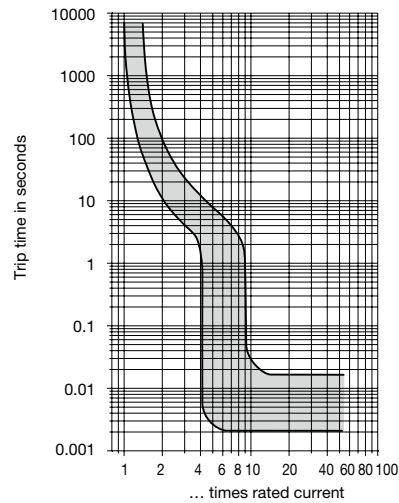
For mounting styles -F2., -F5., -F6.. please see section Thermal Overcurrent Circuit Breakers.

Typical time/current characteristics at +23°C/+73.4°F

Single or double pole load

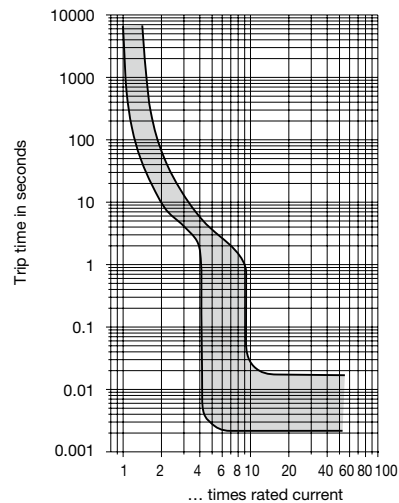
0.1...2 A

AC/DC ¹⁾



2.5...16 A

AC/DC ¹⁾



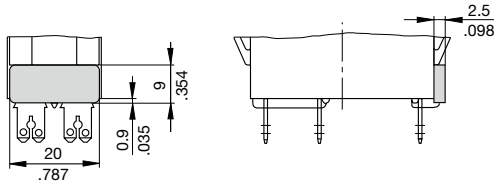
¹⁾ Magnetic tripping currents are increased by 25% on DC supplies.

The time/current characteristic curve depends on the ambient temperature prevailing. In order to eliminate nuisance tripping, please multiply the circuit breaker current ratings by the derating factor shown below. See also section Technical information.

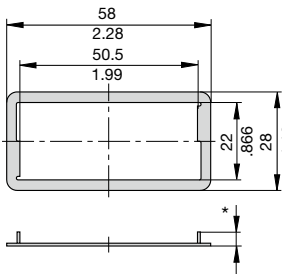
Ambient temperature	°F	-22	-4	+14	+32	+73.4	+104	+122	+140
°C	-30	-20	-10	0	+23	+40	+50	+60	
Derating factor		0.8	0.76	0.84	0.92	1	1.08	1.16	1.24

Accessories

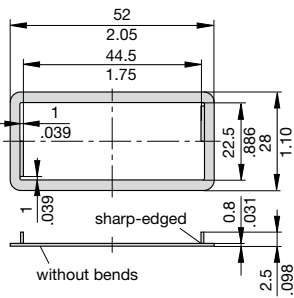
**Insulated cover
Y 303 068 01**



**Spacer for 3120-F3...
Y 303 675 01/02**

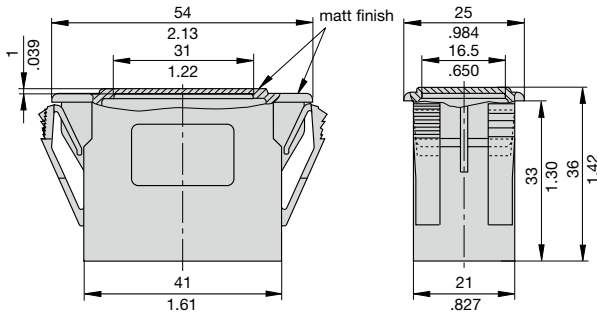


**Spacer for 3120-F5...
Y 303 676 01**

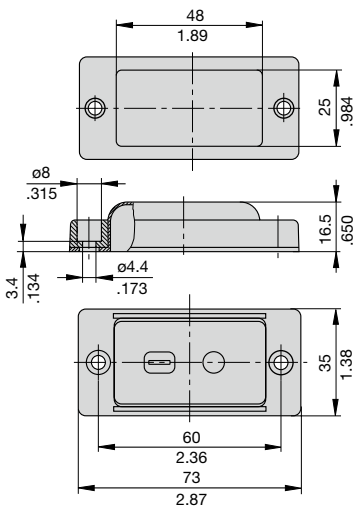


* Y 303 675 01 suitable for panel thickness < 2 mm (.079 in)
* Y 303 675 02 suitable for panel thickness < 4 mm (.157 in)

**Blanking piece in -F3... size mounting frame
Y 303 885 31**



**Separate water splash cover, transparent (IP66)
for use with -F5.. size mounting frames
X 221 619 01**



This is a metric design and millimeter dimensions take precedence ($\frac{mm}{inch}$)

All dimensions without tolerances are for reference only. In the interest of improved design, performance and cost effectiveness the right to make changes in these specifications without notice is reserved. Product markings may not be exactly as the ordering codes. Errors and omissions excepted.

1

X-ON Electronics

Largest Supplier of Electrical and Electronic Components

Click to view similar products for [Circuit Breakers](#) category:

Click to view products by [ETA](#) manufacturer:

Other Similar products are found below :

[LUGZX66-1-61-20.0-44](#) [M39019/01-201S](#) [M39019/01-221](#) [M39019/01-323](#) [M39019/01-333](#) [M39019/01-336](#) [M39019/02-248](#) [M39019/02-311](#) [M39019/02-316](#) [M39019/04-249S](#) [M39019/05-246S](#) [M39019/06-254S](#) [M55629/1-016](#) [M55629/1-018](#) [M55629/1-021](#) [M55629/1-033](#) [M55629/1-036](#) [M55629/1-046](#) [M55629/1-048](#) [M55629/1-058](#) [M55629/1-067](#) [M55629/1-070](#) [M55629/1-079](#) [M55629/1-084](#) [M55629/1-085](#) [M55629/1-101](#) [M55629/1-109](#) [M55629/11-102](#) [M55629/1-120](#) [M55629/12-045](#) [M55629/12-046](#) [M55629/1-330](#) [M55629/1-366](#) [M55629/1-387](#) [M55629/1-401](#) [M55629/1-450](#) [M55629/2-022](#) [M55629/2-030](#) [M55629/2-072](#) [M55629/2-082](#) [M55629/2-099](#) [M55629/2-101](#) [M55629/2-102](#) [M55629/21-BM-BM](#) [M55629/21-HM-HM](#) [M55629/21-NS-NS](#) [M55629/22-NR-NR-NR](#) [M55629/22-RS-RS-RS](#) [M55629/2-347](#) [M55629/2-401](#)