

# Three-position switch 3131

## Description

Single pole three-position switch with latching or momentary switch functions. Featuring a soft-touch contoured rocker actuator with optional illumination. The 3131 is sealed to provide IP66 rated front of panel water splash protection.

## Typical applications

Household appliances, electrical tools, mobile homes, watercraft, construction vehicles, medical equipment

## Ordering Information

### Type number

3131 Single pole switch (3 positions)

### Function

**B** 3-position switch single pole, switching function

**D** 3-position switch single pole, momentary switch function

### Mounting

**F** flange mounting

### Accessories

**1** with sealing IP66

### Terminal design

**N** blade terminals 2x2.8x0.8 EN 60934

### Characteristic curve

**Q** switch only,

### Actuator style

**0** without actuator

rocker X3131-W... must be ordered separately

### Actuator colour

**0** without actuator

### Rocker legends

**00** without

### Rocker marking

**0** without

### Orientation

**0** without

### Illumination

**2** two LEDs, full illumination in position 1 and 2, dimmed illumination in position 0

### Type of illumination

**T** blue LED

**Y** yellow LED

### Illumination voltage range

**0** without illumination

**2** 10 - 14 V DC

**3** 20 - 32 V DC

### Current ratings

**20 A**

3131 - B F 1 N Q - 0 0 00 0 0 - 2 Y 3 - 20A ordering example

## Illumination voltage / power consumption

operating voltage	power consumption (LED)
12 V	10 mA
24 V	10 mA

## Approvals

Authority	Standard	Rated voltage	Current ratings
UL	UL 1500 Ignition Protected	DC 32 V	20 A



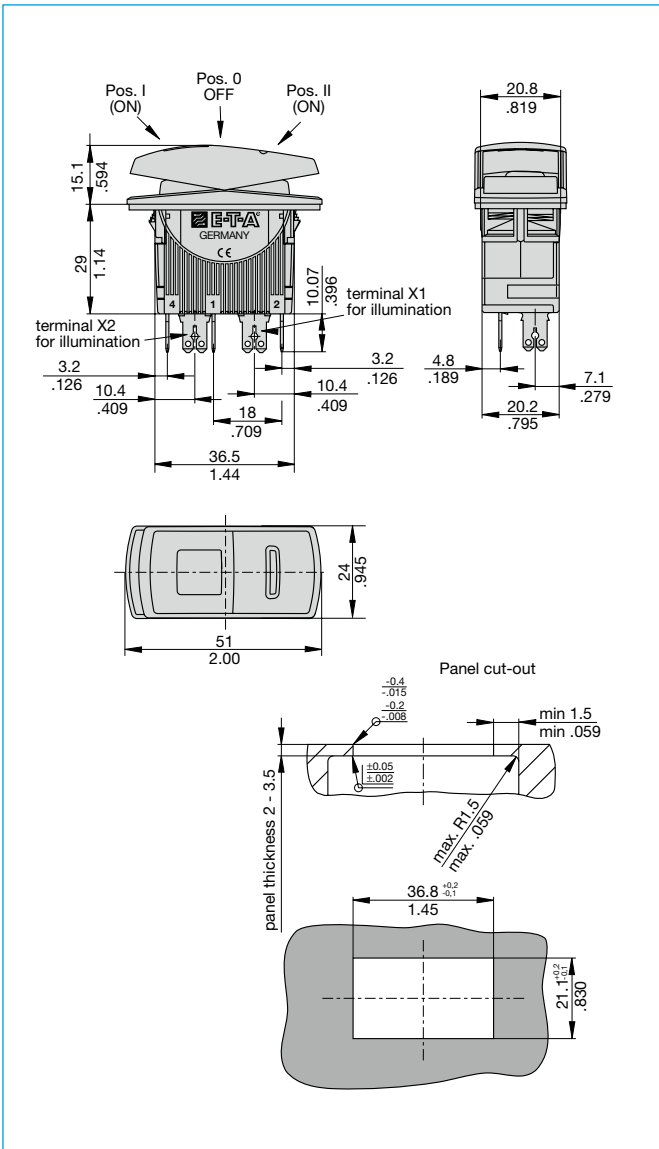
**3131**  
Three-position switch

## Technical data

For further details please see chapter: **Technical Information**

Voltage rating	DC 32 V
Current rating	20 A
Typical life	30,000 operations at 1 x I <sub>N</sub> , inductive
Ambient temperature	-20...+60 °C (-4...+140 °F)
Insulation co-ordination (IEC 60664)	2.5 kV/2 re-inforced insulation in the operating area
Dielectric strength	operating area test voltage AC 3,000 V current path/current path test voltage AC 1,500 V
Insulation resistance	> 100 MΩ (DC 500 V)
Protection class (IEC 60529)	operating area IP66 terminal area IP00
Vibration	5 g (57-500 Hz) ± 0.38 mm (10-57 Hz) test to IEC 60068-2-6, test Fc, 10 frequency cycles/axis
Shock	25 g (11 ms), test to IEC 60068-2-27, test Ea
Corrosion	96 hours at 5 % salt mist, test to IEC 60068-2-11, test Ka
Humidity	240 hours at 95 % RH, test to IEC 60068-2-78, test Cab
Mass	approx. 30 g

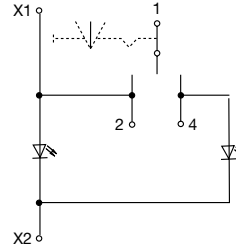
## Dimensions



## Internal connection diagrams

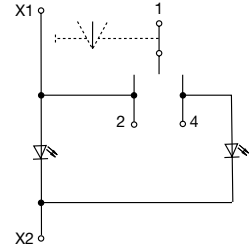
### latching switch

#### with illumination

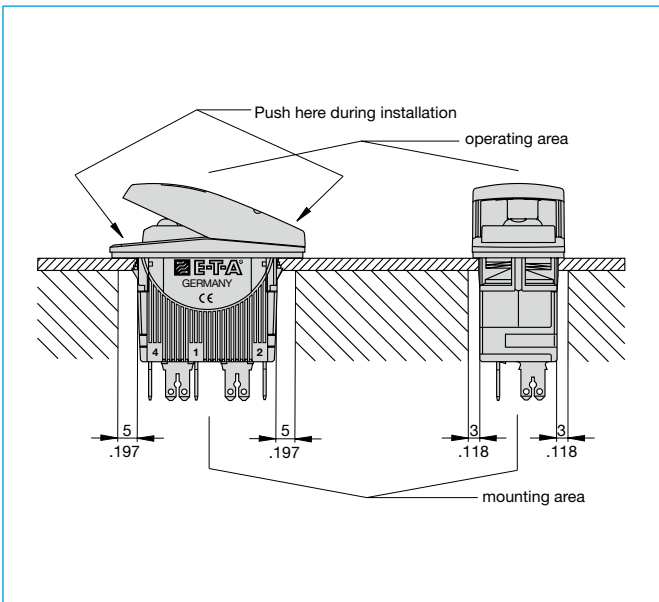


### momentary switch

#### with illumination









## Installation drawing



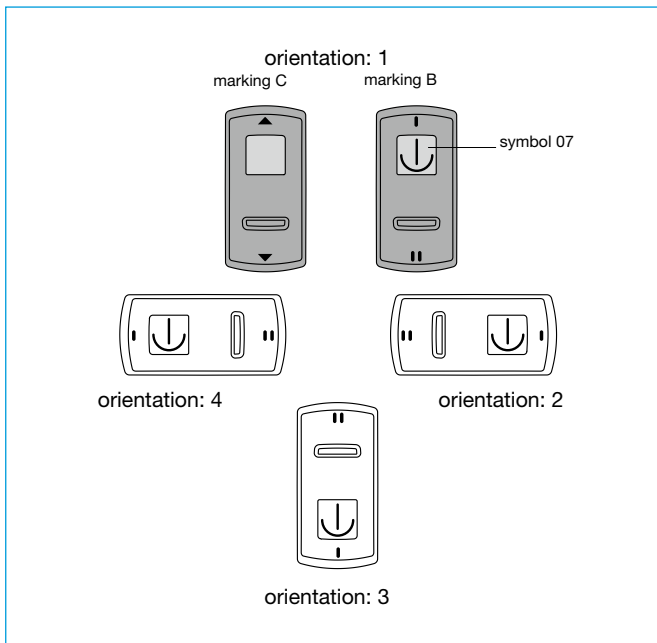
This is a metric design and millimeter dimensions take precedence ( $\frac{\text{mm}}{\text{inch}}$ )

## List of available legends

		Ordering information
Anchor		07
Windshield wiper		08
Bilge pump		09
Ventilation fan		12
Trim tabs		25
Mast lift		26
<b>Further symbols upon request</b>		

## Ordering Information X3131-...

<b>Type number</b>	
<b>X3131</b>	module for type 3131
<b>Actuator style</b>	
<b>W</b>	rocker soft-touch, two illumination windows
<b>Actuator colour</b>	
<b>A</b>	blue / white translucent
<b>B</b>	black / white translucent
<b>C</b>	skyblue / white translucent
<b>Rocker legends</b>	
<b>00</b>	without
<b>...</b>	see separate survey of legends
<b>Rocker marking</b>	
<b>0</b>	without
<b>B</b>	I and II
<b>C</b>	◀ and ▶ (orientation 1 only)
<b>Orientation</b>	
<b>0</b>	without orientation
<b>1</b>	orientation 1 (standard)
<b>2</b>	orientation 2
<b>3</b>	orientation 3
<b>4</b>	orientation 4
<b>X3131 - W A 07 0 1</b> ordering example	



## Accessories

### Mounting frame

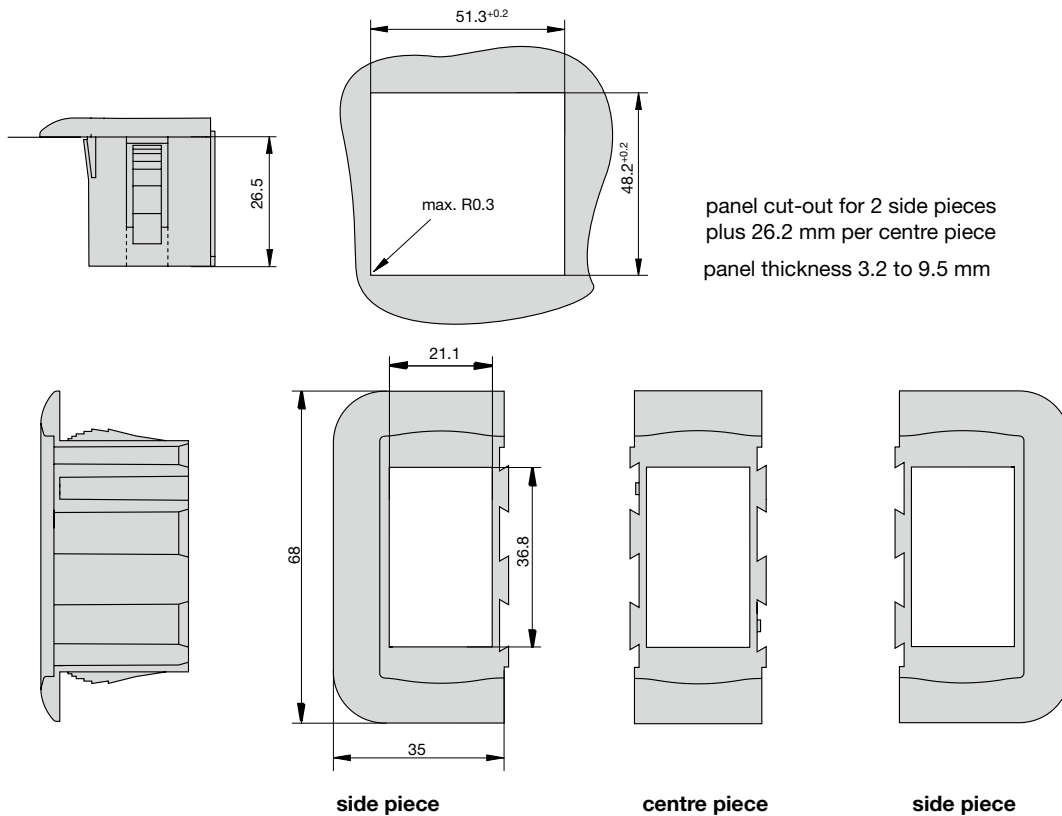
Consisting of a left- and right-side piece, can be expanded by a centre piece.

(Please order 2 side pieces per mounting frame)

The pieces firmly engage when stuck together.

**side piece Y 308 790 01**

**centre piece Y 308 791 01**



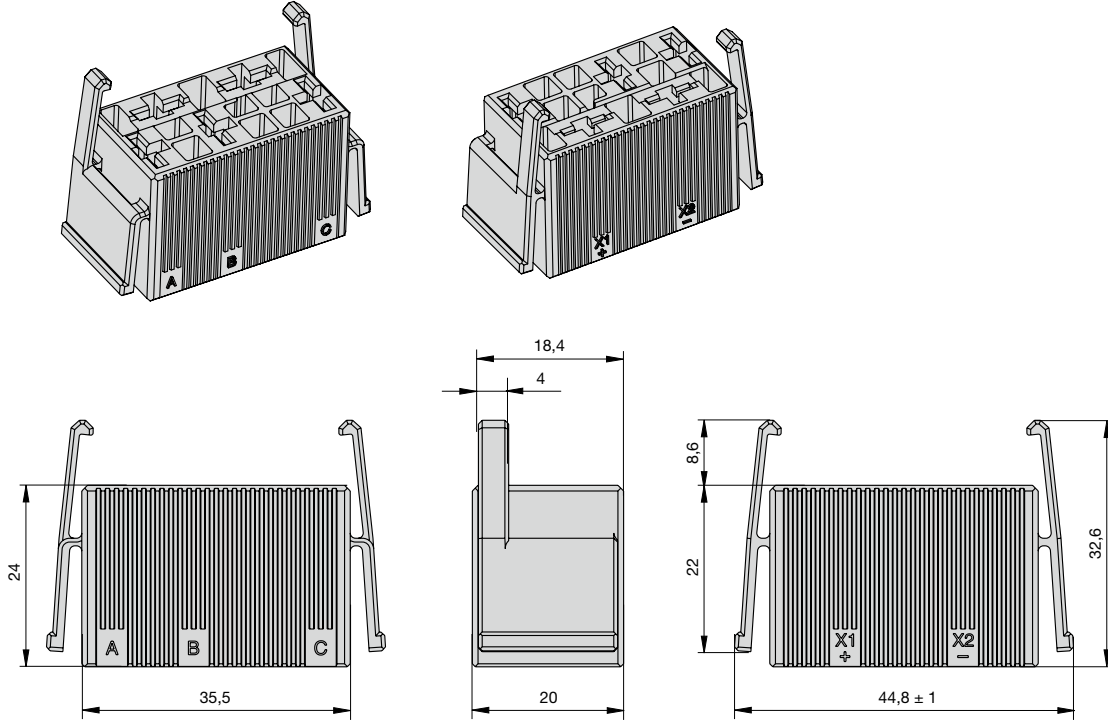
This is a metric design and millimeter dimensions take precedence (mm / inch)

All dimensions without tolerances are for reference only. In the interest of improved design, performance and cost effectiveness the right to make changes in these specifications without notice is reserved. Product markings may not be exactly as the ordering codes. Errors and omissions excepted.

## Accessories – Plug-in connector

### Plug-in connector Y31192901

Connecting cables can be pre-wired. Two retaining clips ensure a tight fit.



#### Benefits:

- Reduced installation time for final assembly
- Quick replacement of devices

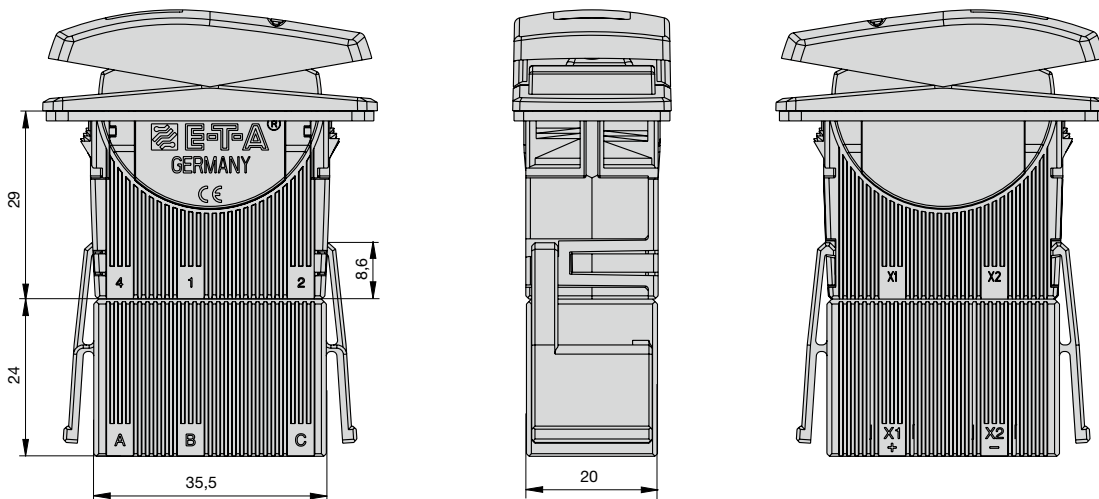
#### Note:

Delivery without receptacles.

Dimensions of receptacles (width 6.3 mm) are in accordance with DIN 46340 part 3, shape A.

Examples of suitable receptacles: Stocko RSB 7916 F6,3-1 / Klaucke type 2730 / Vogt type 3832d.67 / TE FASTON Terminals 250 Series / Delphi Packard 58 Series

Plug-in connector mounted on three-position switch:



1

## X-ON Electronics

Largest Supplier of Electrical and Electronic Components

*Click to view similar products for [Circuit Breakers](#) category:*

*Click to view products by [ETA](#) manufacturer:*

Other Similar products are found below :

[LUGZX66-1-61-20.0-44](#) [M39019/01-201S](#) [M39019/01-221](#) [M39019/01-323](#) [M39019/01-333](#) [M39019/01-336](#) [M39019/02-248](#) [M39019/02-311](#) [M39019/02-316](#) [M39019/04-249S](#) [M39019/05-246S](#) [M39019/06-254S](#) [M55629/1-016](#) [M55629/1-018](#) [M55629/1-021](#) [M55629/1-033](#) [M55629/1-036](#) [M55629/1-046](#) [M55629/1-048](#) [M55629/1-058](#) [M55629/1-067](#) [M55629/1-070](#) [M55629/1-079](#) [M55629/1-084](#) [M55629/1-085](#) [M55629/1-101](#) [M55629/1-109](#) [M55629/11-102](#) [M55629/1-120](#) [M55629/12-045](#) [M55629/12-046](#) [M55629/1-330](#) [M55629/1-366](#) [M55629/1-387](#) [M55629/1-401](#) [M55629/1-450](#) [M55629/2-022](#) [M55629/2-030](#) [M55629/2-072](#) [M55629/2-082](#) [M55629/2-099](#) [M55629/2-101](#) [M55629/2-102](#) [M55629/21-BM-BM](#) [M55629/21-HM-HM](#) [M55629/21-NS-NS](#) [M55629/22-NR-NR-NR](#) [M55629/22-RS-RS-RS](#) [M55629/2-347](#) [M55629/2-401](#)