



## AOFD-15

## 15W Din Rail Mount



### FEATURES:

- Universal AC input 90~264 VAC and 127~370 VDC
- Flexible Din Rail Mount
- Industrial Temp Range -25~+70°C range
- Rugged Design
- **Warranty: 3 years**
- Installation on DIN rail 30mm only
- PFC as standard (180W-240W)
- Over voltage protection
- Over current protection
- LED Indicator for DC power ON
- LED Indicator for DC low



MODEL/CHANNEL		Unit	AOFD15-05	AOFD15-12	AOFD15-24	
<b>OUTPUT</b>	Norminal Voltage	V	5	12	24	
	Setting Voltage Range	V	4.95~5.05	11.88~12.12	23.76~24.24	
	Voltage ADJ. Range *note1	V	4.5~5.5	10.8~13.2	21.6~26.4	
	Current	A	2	1.2	0.65	
	Line Regulations	mV	25	60	120	
	Load Regulations	mV	50	120	240	
	Temperature Drift	mV	75	180	360	
	Ripple & Noise Max 1.	mV	80	120	120	
	Rated Power	W	10	14.4	15.6	
	Current ADJ. Range *note1	A	4.16~6.4	2.6~4		
	Ripple Max.	mV	120	120		
	Turn-on Time Typ.	ms	100 (AC IN 100V, Io=100%)			
Hold-up Time Typ.	ms	20 (AC IN 100V, Io=100%)				
<b>INPUT</b>	Voltage, Frequency	V	AC100 - 240(AC 90-264, 50/60Hz(47 - 63) or DC127-370V (Universa Input)			
	Efficiency Typ.	110V 220V	%	74 72	79 77	82 79
	Current Typ.	110V 220V	A	0.45 0.3		
	Inrush Current Typ.	110V 220V	A	20 (Ta=25°C, Io=100% at Cold Start) 40 (Ta=25°C, Io=100% at Cold Start)		
	Leakage Current 1mA Max.	110V 220V	mA	0.35 (Typ.) 0.75 (Typ.)		
<b>Function</b>	Over Voltage Protection	V	115%~140% of rating			
	Over Current Protection	A	110% of rating and recovers automatically			
	Short Circuit	A	Hiccup mode, recovers automatically after fault condition is removed			
	Cooling / O.T.P	-	Convection cooling			
<b>Electrical Isolation</b>	(1) Input - Output	-	AC 3KV 1min, cut-off: 20mA / DC 500V 100MΩ			
	(2) Input - F.G	-	AC 2KV 1min, cut-off: 20mA / DC 500V 100MΩ			
	(3) Output - F.G	-	AC 0.5KV 1min, cut-off:100mA / DC 500V 100MΩ			
<b>Environment</b>	Operating temp. & Humidity	-	-40 ~ +70°C(With Derating), 20 ~ 90%RH (Non Condensing)			
	Storage temp. & Humidity	-	-40 ~ +75°C, 20 ~ 90% RH (Non Condensing)			
	Vibration	-	10~55Hz at 1G 3 minutes period, 30 minutes along X,Y and Z axis			
<b>Dimension</b>	Size(WxLxH) / Weight	mm/g	22.5x95x108/200g			
	Safety	-	cRU, CE			
	Emission	-	Conducted Emission Complies with EN55011/EN55022-B, FCC-B			

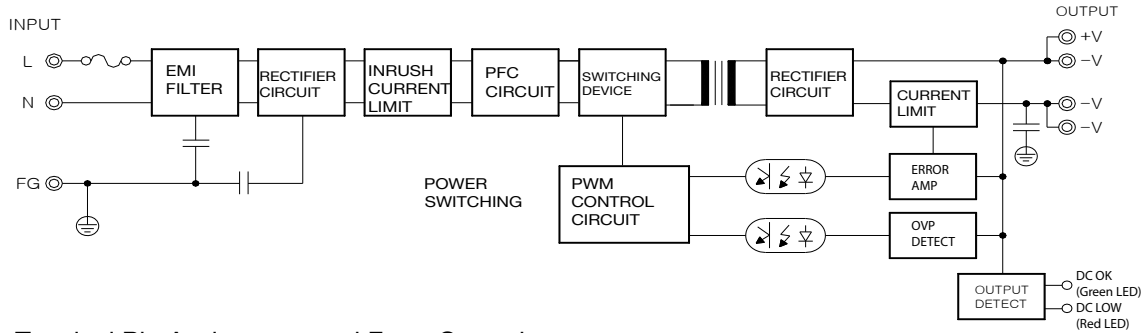




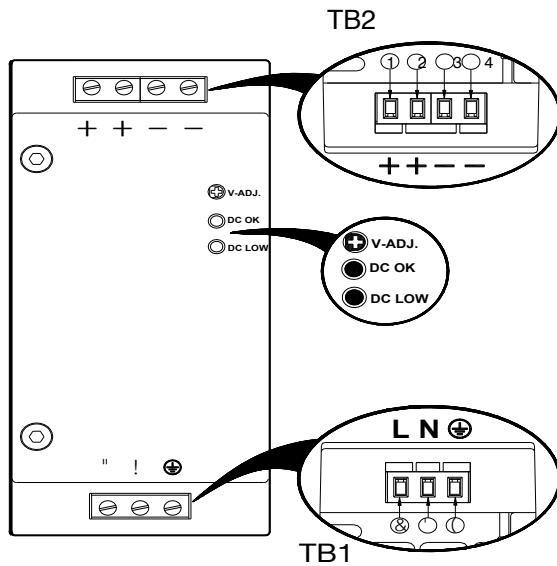
## AOFD-15

## 15W Din Rail Mount

### 1. BLOCK DIAGRAM



### 2. Terminal Pin Assignment and Front Controls



Marking	No.	Assignment
L	①	AC(L) Input Terminals
N	②	AC(N) Input Terminals
⊕	③	AC Grounding Terminal

#### TB2 : Output Terminal Assignment

Marking	No.	Assignment
+	①	DC (+) Output Terminals
+	②	
-	③	DC (-) Output Terminals
-	④	

#### Front Controls Assignment

Marking	Assignment
V-ADJ.	DC Output voltage adjustment
DC OK	DC Output indication LED (Green)
DC LOW	DC Output Low indication LED (Red)

### 3. Connection / Connecting Cable

Terminals	Solid or Stranded Wires		Torque [Nm]	Stripping Length L [mm]
	[mm <sup>2</sup> ]	[AWG]		
Input Terminals	(TB1)	0.5 ~ 2.5	30 ~ 12	0.5~0.6 8
Output Terminals	(TB2)	0.5 ~ 2.5	30 ~ 12	0.5~0.6 8



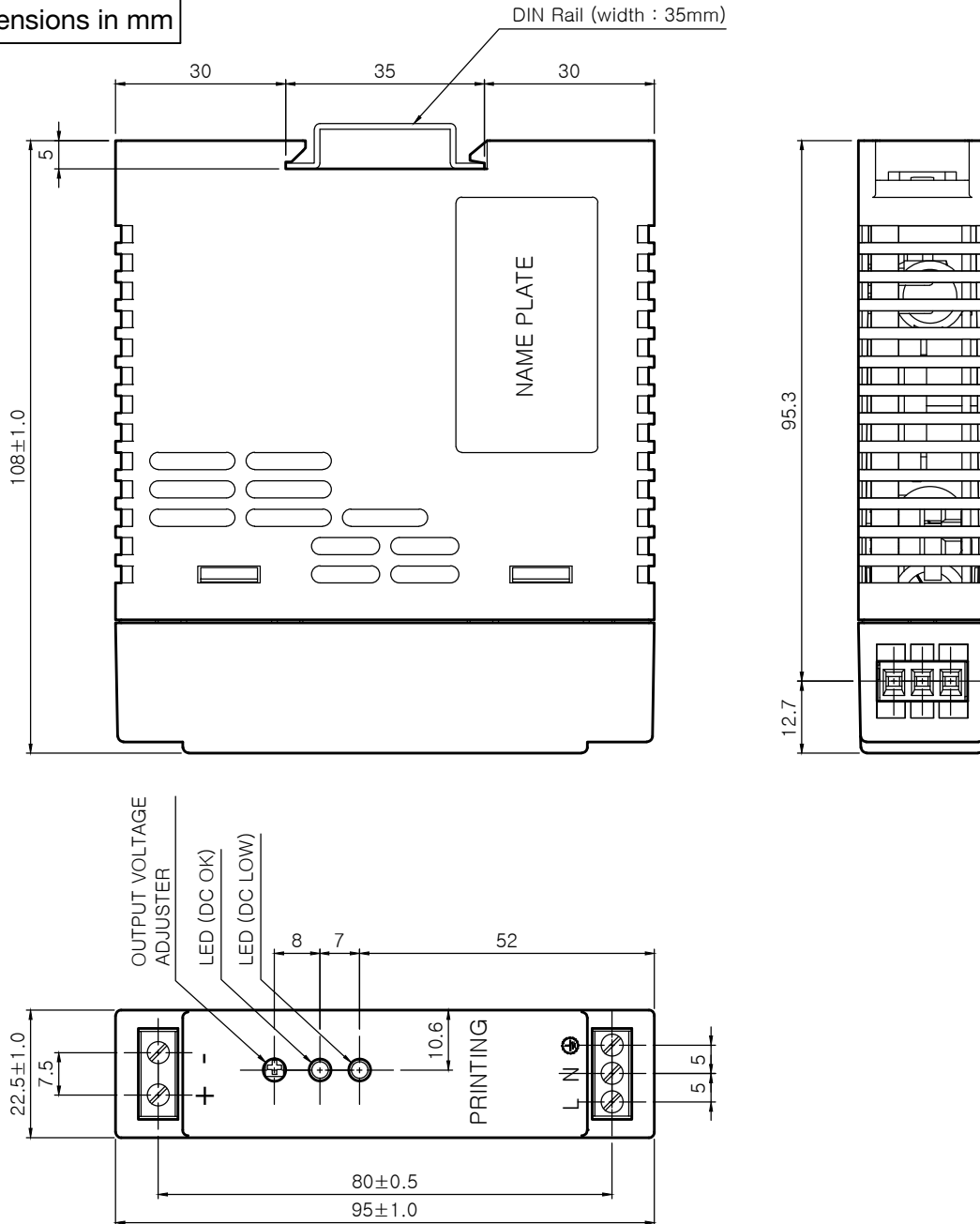


## AOFD-15

## 15W Din Rail Mount

### AOFD15-S

- \* Weight : 200g
- \* Tolerance :  $\pm 1$
- \* Dimensions in mm





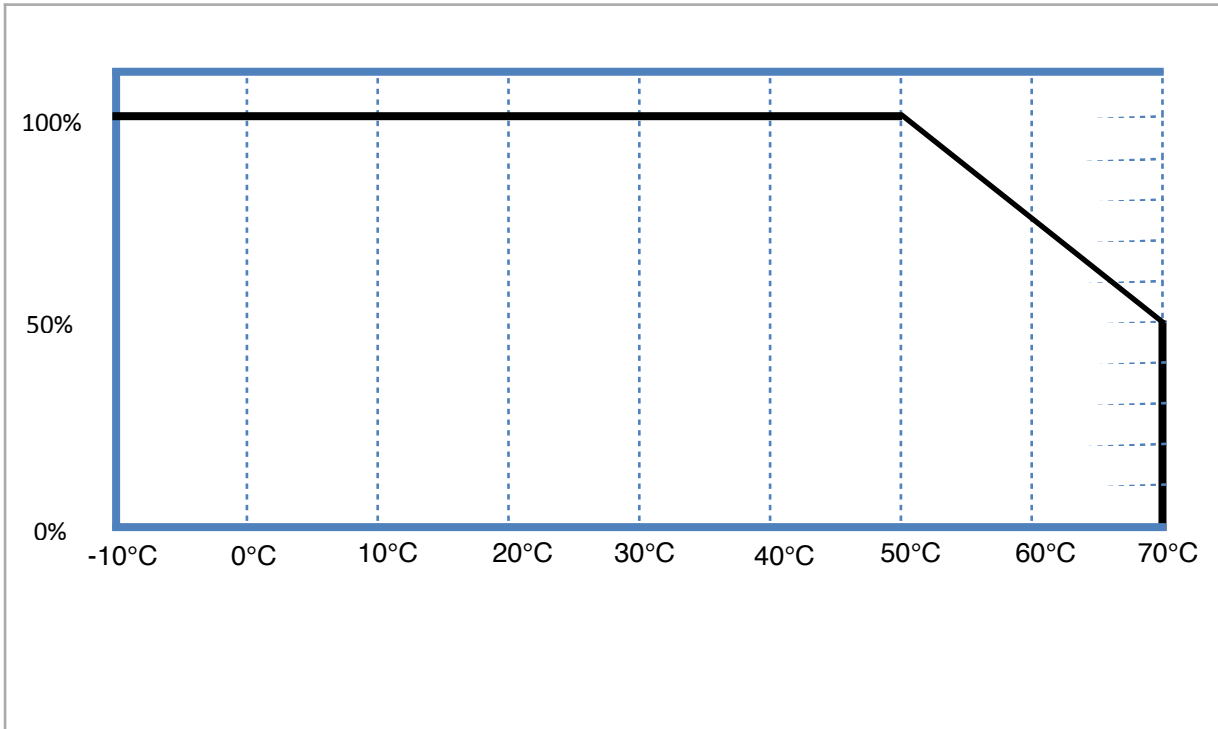
# ETA-USA

The Power Professionals

**AOFD-15**

**15W Din Rail Mount**

## Output Derating Curve



# ETA-USA

16170 Vineyard Blvd. Suite 180 Morgan Hill, CA 95037 <http://www.eta-usa.com>  
Toll-free (US only): 800-ETA-POWR (800-382-7697) Telephone: 408 778-2793 FAX: 408-779-2753

## X-ON Electronics

Largest Supplier of Electrical and Electronic Components

*Click to view similar products for [DIN Rail Power Supplies](#) category:*

*Click to view products by [ETA](#) manufacturer:*

Other Similar products are found below :

[PS-S6024](#) [DVP01PU-S](#) [DVP06AD-S](#) [DVP06XA-S](#) [DVDPNET-SL](#) [DVPDT01-S](#) [DVPPS01](#) [PS-6012](#) [PS9Z-5R1G](#) [PS-C24024](#)  
[DVP08ST11N](#) [DVPACAB530](#) [DVPCOPM-SL](#) [DVPEN01-SL](#) [DVPPF01-S](#) [ADNB008-48-1PM-C](#) [ADNB017-24-1PM-C](#) [ADNB040-24-1PM-C](#) [ADNB050-12-1PM-C](#) [ADNB040-15-1PM-C](#) [ADNB034-12-1PM-C](#) [S8TS-06024-E1](#) [PS-UPS40](#) [PSC-6024](#) [PSD-A60W12](#) [96PS-A120WDIN](#) [PSD-A60W48](#) [PSD-A40W12](#) [PSD-A40W24](#) [SMP21-L20-DC24V-5A](#) [PSD-A40W48](#) [S8T-DCBU-02](#) [PS-S4024](#) [NTPS-24-1.3](#)  
[PST-96024](#) [S82YVSC4P](#) [PS-S4005](#) [PS-10024](#) [PS-S10024](#) [PS-C12024](#) [PSP-480S24](#) [PS-C48024](#) [PSC-2024](#) [PSC-4012](#) [PSC-4015](#) [PSC-4048](#)  
[PSC-9615](#) [PSC-15124](#) [PSC-15148](#) [PSC-24148](#)