



AOFD-70

70W Din Rail Mount



FEATURES:

- Universal AC input 90~264 VAC and 127~370 VDC
- Flexible Din Rail Mount
- Industrial Temp Range -25 ~+70°C range
- Rugged Design
- **Warranty: 3 years**
- Installation on DIN rail 30mm only
- PFC as standard (180W-240W)
- Over voltage protection
- Over current protection
- LED Indicator for DC power ON
- LED Indicator for DC low



MODEL/CHANNEL		Unit	AOFD-70-24	AOFD-70-48	
OUTPUT	Norminal Voltage	V	24	48	
	Setting Voltage Range	V	23.76~24.24	47.52~48.48	
	Voltage ADJ. Range *note1	V	22.5~28.5	45~55	
	Current	A	3	1.5	
	Ripple Max.	mV	100	120	
	Line Regulations	mV	120	240	
	Load Regulations	mV	240	480	
	Temperature Drift	mV	360	720	
	Rated Power	W	72		
	Turn-on Time Typ.	ms	560 (AC IN 100V, Io=100%)		
Hold-up Time Typ.	ms	20 (AC IN 100V, Io=100%)			
INPUT	Voltage, Frequency	V	AC100 - 240V(AC90 - 264V), 50/60Hz(47 - 63) or DC127~370V (Universal Input)		
	Current Typ.	110V 220V	A	1.5 1	
	Efficiency Typ.	110V 220V	%	86 88	87 89
	Inrush Current Typ.	110V 220V	A	20 (Ta=25°C, Io=100% at Cold Start) 40 (Ta=25°C, Io=100% at Cold Start)	
	Leakage Current	110V	mA	0.45 (Typ.)	
	1mA Max.	220V		0.75 (Typ.)	
Function	Over Voltage Protection	V	125%~146% of rating		
	Over Curent Protection	A	110% of rating and recovers automatically		
	DC_OK Lamp	A	LED (GREEN)		
	DC_LOW Lamp	-	LED (RED)		
	Parallel/Series Operation	-	Series Operation is possible		
	Cooling / O.T.P	-	Convection cooling		
Electrical Isolation	(1) Input - Output	-	AC 3KV 1 min, cut-off: 20mA/DC 500V 100MΩ		
	(2) Input - F.G	-	AC 2KV 1 min, cut-off: 20mA/DC 500V 100MΩ		
	(3) Output - F.G	-	AC 0.5KV 1 min, cut-off: 100mA/DC 500V 100MΩ		
Environment	Operating temp. & Humidity	-	-25~+70°C(Required Derating), 20~90%RH (Non Condensing)		
	Storage temp. & Humidity	-	-40~85°C, 20~90% RH (Non Condensing)		
	Vibration	-	10~55Hz at 1G 3 minutes period, 30 minutes along X,Y and Z axis		
Dimension	Size(WxLxH) / Weight	mm/g	33x125x130/650g		
	Safety	-	cRu, CE		
	Emission	-	Conducted Emission Complies with EN55011/EN55022-B, FCC-B		

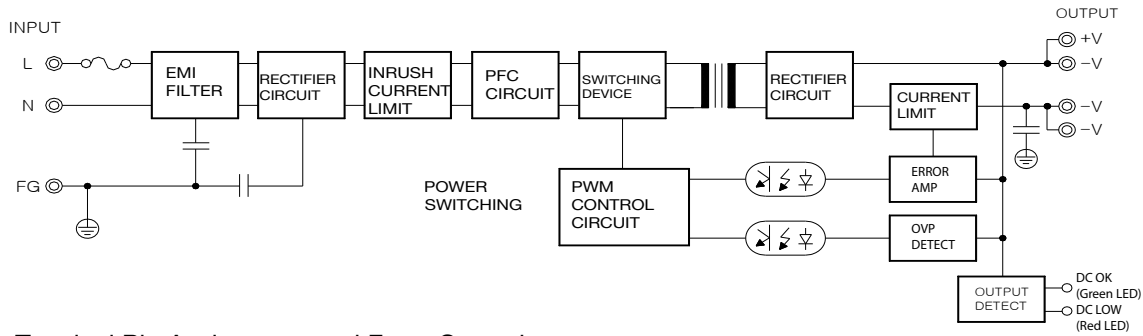




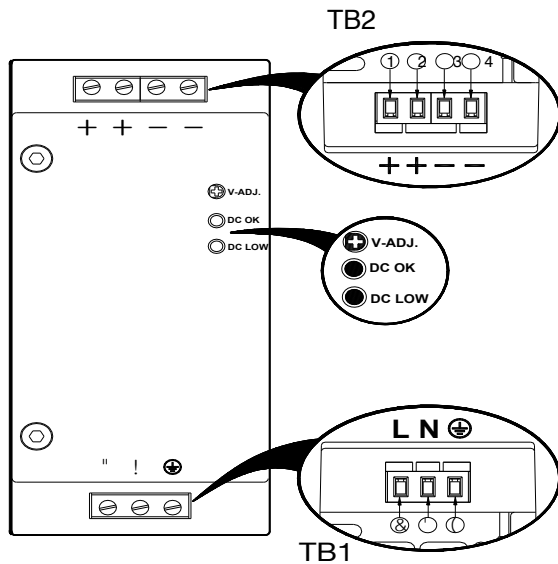
AOFD-70

70W Din Rail Mount

1. BLOCK DIAGRAM



2. Terminal Pin Assignment and Front Controls



Marking	No.	Assignment
L	①	AC(L) Input Terminals
N	②	AC(N) Input Terminals
⊕	③	AC Grounding Terminal

TB2 : Output Terminal Assignment

Marking	No.	Assignment
+	①	DC (+) Output Terminals
+	②	
-	③	DC (-) Output Terminals
-	④	

Front Controls Assignment

Marking	Assignment
V-ADJ.	DC Output voltage adjustment
DC OK	DC Output indication LED (Green)
DC LOW	DC Output Low indication LED (Red)

3. Connection / Connecting Cable

Terminals	Solid or Stranded Wires		Torque [Nm]	Stripping Length L [mm]
	[mm]	[AWG]		
Input Terminals	(TB1)	0.5 ~ 2.5	30 ~ 12	0.5~0.6 8
Output Terminals	(TB2)	0.5 ~ 2.5	30 ~ 12	0.5~0.6 8



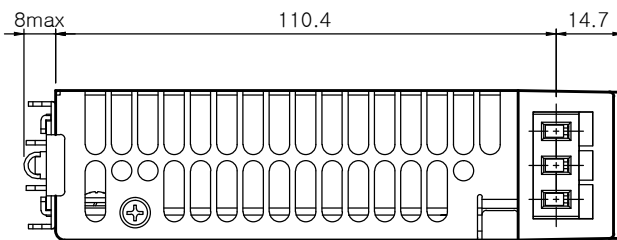
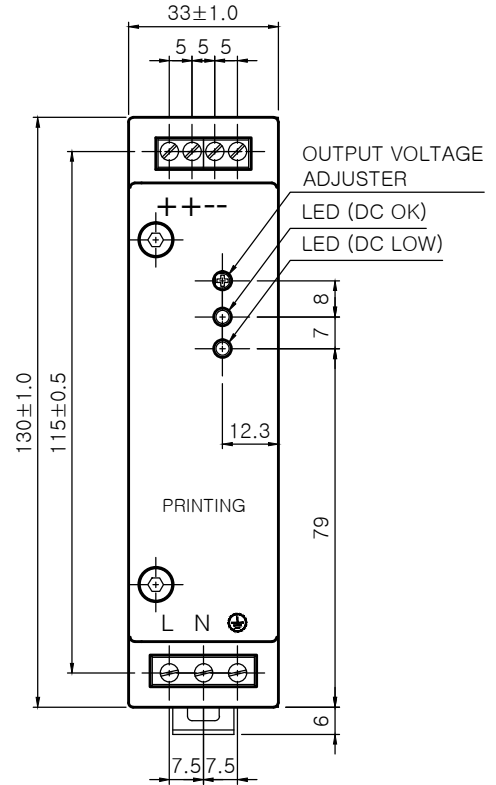
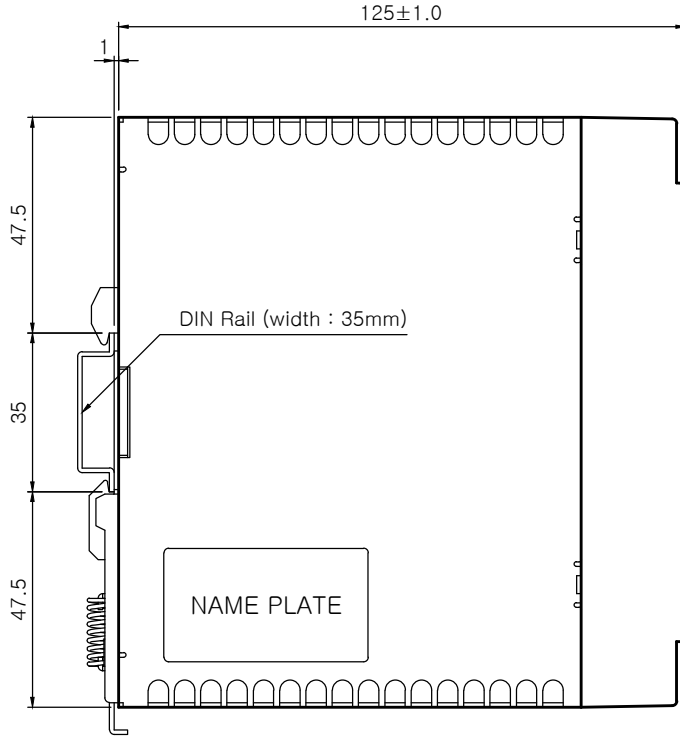


ETA-USA

The Power Professionals

AOFD-70

70W Din Rail Mount



AOFD70-S
* Weight : 650g
* Tolerance : ±1
* Dimensions in mm



ETA-USA

16170 Vineyard Blvd. Suite 180 Morgan Hill, CA 95037 <http://www.eta-usa.com>
Toll-free (US only): 800-ETA-POWR (800-382-7697) Telephone: 408 778-2793 FAX: 408-779-2753



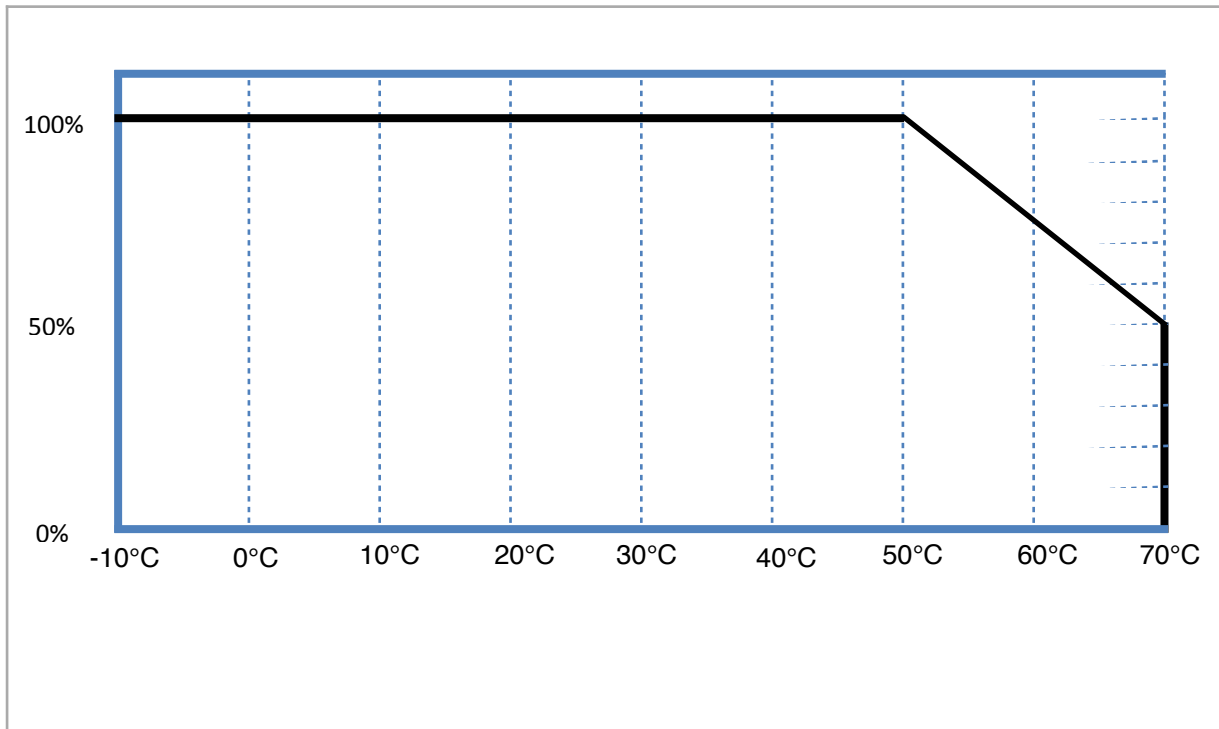
ETA-USA

The Power Professionals

AOFD-70

70W Din Rail Mount

Output Derating Curve



ETA-USA

16170 Vineyard Blvd. Suite 180 Morgan Hill, CA 95037 <http://www.eta-usa.com>
Toll-free (US only): 800-ETA-POWR (800-382-7697) Telephone: 408 778-2793 FAX: 408-779-2753

X-ON Electronics

Largest Supplier of Electrical and Electronic Components

Click to view similar products for [DIN Rail Power Supplies](#) category:

Click to view products by [ETA](#) manufacturer:

Other Similar products are found below :

[PS-S6024](#) [DVP01PU-S](#) [DVP06AD-S](#) [DVP06XA-S](#) [DVDPNET-SL](#) [DVPDT01-S](#) [DVPPS01](#) [PS-6012](#) [PS9Z-5R1G](#) [PS-C24024](#)
[DVP08ST11N](#) [DVPACAB530](#) [DVPCOPM-SL](#) [DVPEN01-SL](#) [DVPPF01-S](#) [ADNB008-48-1PM-C](#) [ADNB017-24-1PM-C](#) [ADNB040-24-1PM-C](#) [ADNB050-12-1PM-C](#) [ADNB040-15-1PM-C](#) [ADNB034-12-1PM-C](#) [SS14011524](#) [S8TS-06024-E1](#) [PS-UPS40](#) [PSC-6024](#) [PSD-A60W12](#) [96PS-A120WDIN](#) [PSD-A60W48](#) [PSD-A40W12](#) [PSD-A40W24](#) [SMP21-L20-DC24V-5A](#) [PSD-A40W48](#) [S8T-DCBU-02](#) [PS-S4024](#)
[NTPS-24-1.3](#) [PST-96024](#) [S82YVSC4P](#) [PS-S4005](#) [PS-10024](#) [PS-S10024](#) [PS-C12024](#) [PSP-480S24](#) [PS-C48024](#) [PSC-2024](#) [PSC-4012](#) [PSC-4015](#) [PSC-4048](#) [PSC-9615](#) [PSC-15124](#) [PSC-15148](#)