



## AOLL1-100

## 100W Exterior LED Driver



### FEATURES:

- Universal AC input 90~264 VAC
- Built in active PFC
- IP66 or IP67 for damp locations designed for outdoor use
- Wide Temp -40 ~ +70°C range
- Adjustable output voltage and current
- UL 8750 safety (Pending)**
- Warranty: 4 years**

Output voltage and constant current level can be adjusted through potential meter. Constant current level adjustable through output cable with 1~10Vdc.

CE Pending

MODEL/CHANNEL		Unit	AOLL1-240-12 AD	AOLL1-240-24 AD	AOLL1-240-48 AD
<b>OUTPUT</b>	Norminal Voltage	[V]	12	24	48
	Setting Voltage Range	[V]	11.8 ~ 12.1	23.7 ~ 24.3	47.5 ~ 48.5
	Voltage ADJ. Range *note1	[V]	10.8 ~ 13.5	22.0 ~ 27.0	43.0 ~ 53.0
	Norminal Current	[A]	6.4	4	2
	Current ADJ. Range *note1	[A]	4.16 ~ 6.4	2.6 ~ 4	1.3 ~ 2
	Line Regulations	[mV]	120	120	240
	Load Regulations	[mV]	120	120	240
	Temperature Drift	[mV]	180	360	720
	Ripple Max.	[mV]	120	120	150
	Ripple & Noise Max 1.	[mV]	150	150	250
	Ripple & Noise Max 2. *note2	[mV]	400	400	600
	Turn-on Time Typ.	[ms]	1000 (AC IN 100V, Io=100%)		
Hold-up Time Typ.	[ms]	17 (AC IN 100V, Io=100%)			
<b>INPUT</b>	Typ. Voltage, Frequency	[V]	AC100 - 240(AC 90-264, 50/60Hz(47 - 63) or DC127-370V (Universal Input))		
	Current Typ.	110V 220V	[A]	3.0 1.5	3.0 1.5
	Efficiency Typ.	110V 220V	[%]	87 90	88 92
	Power factor Typ.	110V 220V	-	0.99 0.98	0.99 0.98
	Inrush Current Typ.	110V 220V	[A]	25 ( Ta=25°C , Cold Start ) 45 ( Ta=25°C , Cold Start )	
	Leakage Current Max.	110V 220V	[mA]	3.5 3.5	
	<b>Function</b>	Over Voltage Protection	[V]	110% ~ 160% of rating	
Over Current Protection[Blank,D]		[A]	95 ~ 110 %	95 ~ 110 %	95 ~ 110 %
Over Current Protection[A,AD]		[A]	60 ~ 100 %	60 ~ 100 %	60 ~ 100 %
Short Circuit		-	Hiccup mode, recovers automatically after fault condition is removed		
Cooling / O.T.P		-	Convection/Optional		
<b>Electrical Isolation</b>	(1) Input - Output	-	AC 3.0KV 1min, cut-off: 20mA / DC 500V 100MΩ		
	(2) Input - F.G	-	AC 2.0KV 1min, cut-off: 20mA / DC 500V 100MΩ		
	(3) Output - F.G	-	AC 0.5KV 1min, cut-off:100mA / DC 500V 100MΩ		
<b>Environment</b>	Operating temp. & Humidity	-	-40 ~ +70°C(Required Derating), 20 ~ 90%RH (Non Condensing)		
	Storage temp. & Humidity	-	-40 ~ +75°C, 20 ~ 90% RH (Non Condensing)		
	Vibration	-	10~55Hz at 1G 3minutes period, 30minutes along X,Y and Z axis		
<b>Dimension</b>	Size(WxHxD) / Weight	mm/g	68 x 39 x 189 / 824		
<b>Safety</b>	-	-	CE Built to meet UL8750		
<b>Emission</b>	Conducted Emission	-	Built to meet EN55015		

\*note1 : Type A,AD only

\*note2 : Frequency 50/60Hz

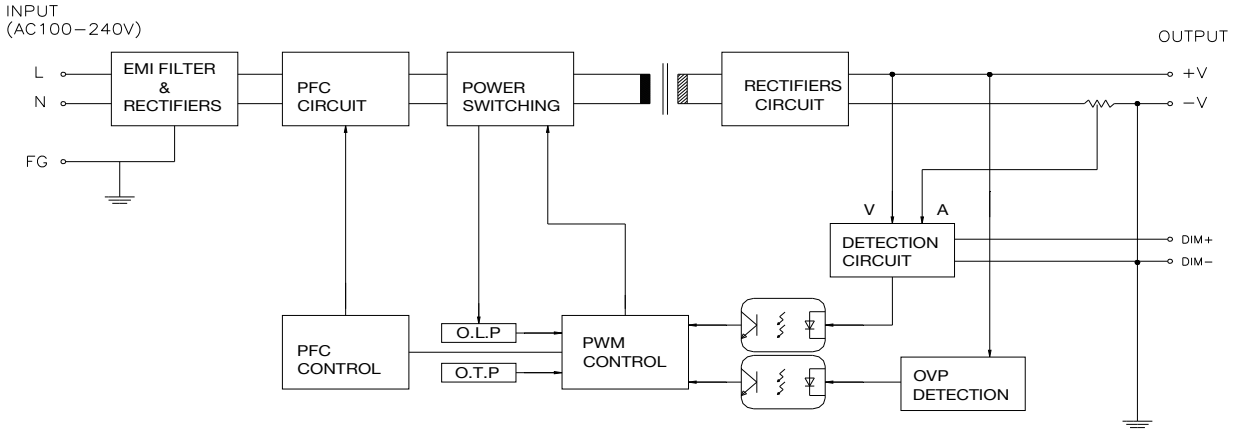




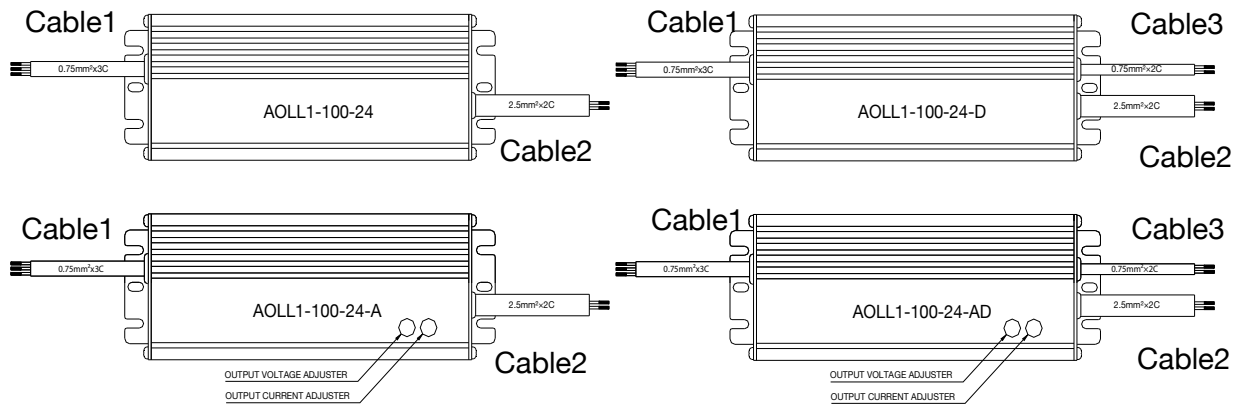
## AOLL1-100

## 100W Exterior LED Driver

### 1. BLOCK DIAGRAM



### 2. Terminal Connection



	Cable Type	Wire Color	Terminal
Cable1	60227 0.75mm <sup>2</sup> X 3C	BROWN	AC (L)
		SKY BLUE	AC (N)
		YELLOW/GREEN	FG
Cable2	60227 2.5mm <sup>2</sup> X 2C	BROWN	Output +
		SKY BLUE	Output -
Cable3	60227 0.75mm <sup>2</sup> X 2C	BROWN	Dimming +
		SKY BLUE	Dimming -

\* Size and Type for cable subject to change

\* Cable3 applies to D and AD type only





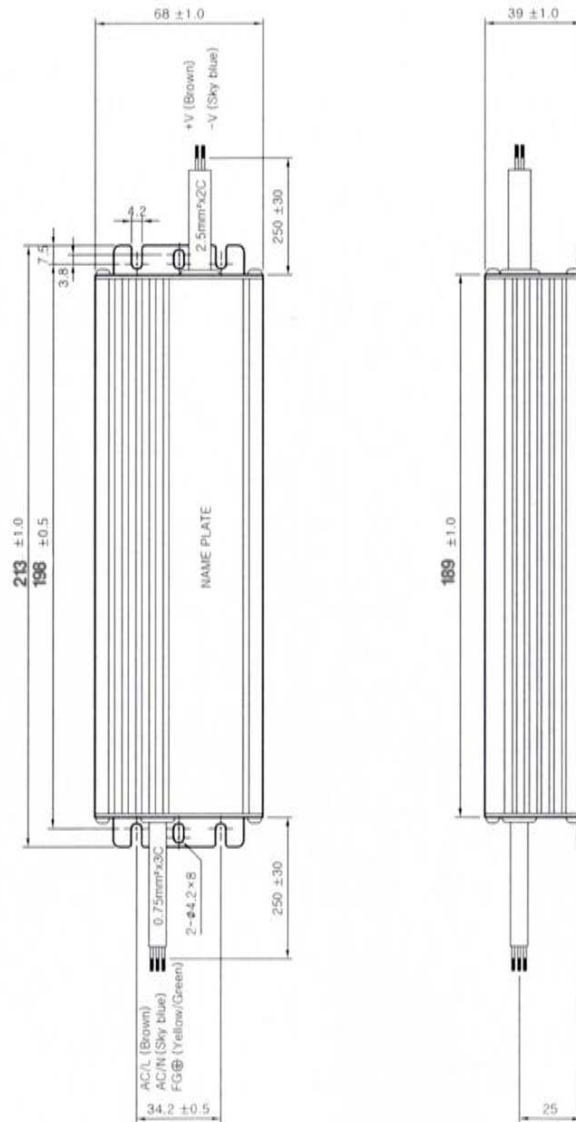
# ETA-USA

The Power Professionals

## AOLL1-100

## 100W Exterior LED Driver

### Dimensions



# ETA-USA

16170 Vineyard Blvd. Suite 180 Morgan Hill, CA 95037 <http://www.eta-usa.com>  
Toll-free (US only): 800-ETA-POWR (800-382-7697) Telephone: 408 778-2793 FAX: 408-779-2753



# ETA-USA

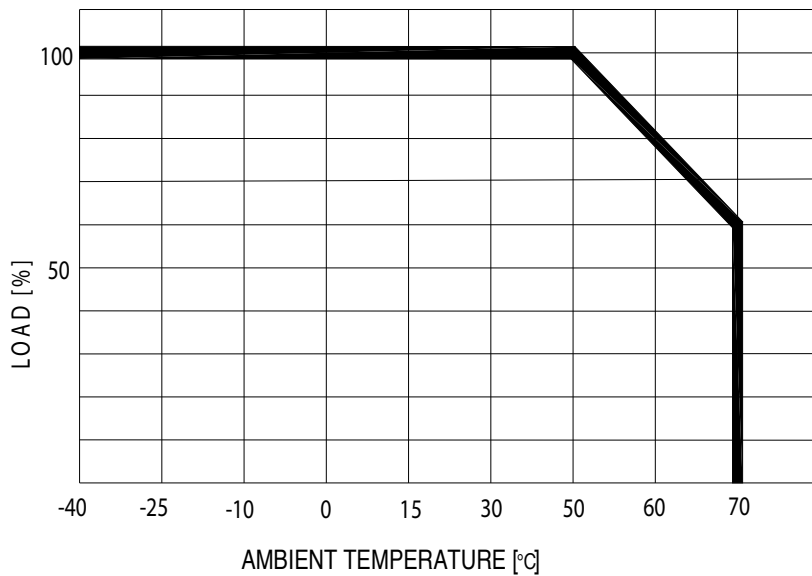
The Power Professionals

**AOLL1-100**

**100W Exterior LED Driver**

## Ambient Temperature Derating Curve

Output derating curve as follow when input voltage range is AC100~264V.



# ETA-USA

16170 Vineyard Blvd. Suite 180 Morgan Hill, CA 95037 <http://www.eta-usa.com>  
Toll-free (US only): 800-ETA-POWR (800-382-7697) Telephone: 408 778-2793 FAX: 408-779-2753

## X-ON Electronics

Largest Supplier of Electrical and Electronic Components

*Click to view similar products for [LED Power Supplies](#) category:*

*Click to view products by [ETA](#) manufacturer:*

Other Similar products are found below :

[ESS015W-1000-12](#) [PDA-WIFI](#) [PIFC-K250F](#) [PITB-K222A](#) [ALD-514012PJ134](#) [LB240S24KH](#) [LMH020-SPLC-0000-0000001](#) [LMD600-0100-C1A7-7030000](#) [79534](#) [79535](#) [EUG-200S210DT](#) [ESS030W-1050-21](#) [ESS030W-0900-32](#) [BPOXL 4-12-035](#) [ESS010W-0350-24](#) [ESM060W-1400-42](#) [PDA080B-1A0G](#) [PDA150B-S1A5G](#) [ZPS-20](#) [SLM140W-1.05-130-ZA](#) [ESS015W-0700-18](#) [EUD-150S350DVA](#) [LWA320-C420-ARK-B](#) [HVG-240-48AB](#) [HVG-320-36AB](#) [HVG-320-54AB](#) [EUK-150S105DV](#) [LN1224CV](#) [LCO 75/500/150 FIXC L SNC2](#) [LCO 75/1400/53 FIXC L SNC2](#) [LCO 100/500/200 FIXC L SNC2](#) [LCO 100/1400/71 FIXC L SNC2](#) [LCO 150/1400/107 FIXC L SNC2](#) [HBG-160-24AB](#) [980100001200394](#) [980060001200376](#) [LC 14W 250-350MA FLEXC R ADV2](#) [LC 24W 500-600MA FLEXC R ADV2](#) [LC 36W 850-900MA FLEXC R ADV2](#) [LC 18W 24V ONE4ALL SC PRE](#) [LC 50W 200-350ML 170V FLEXC LP SNC4](#) [LC 25W 200-350ML 70V FLEXC LP SNC4](#) [LC 35W 200-350ML 121V FLEXC LP SNC4](#) [LCBI 10W 350MA PHASE-CUT/1-10V LP](#) [LC 13W 300MA FIXC C SNC](#) [LC 10W 250MA FIXC SC SNC2](#) [LC 35W 800MA FIXC SR ADV2](#) [LC 38W 900MA FIXC SR ADV2](#) [LC 34W 800MA FIXC SC ADV2](#) [LC 44W 1050MA FIXC SC ADV2](#)