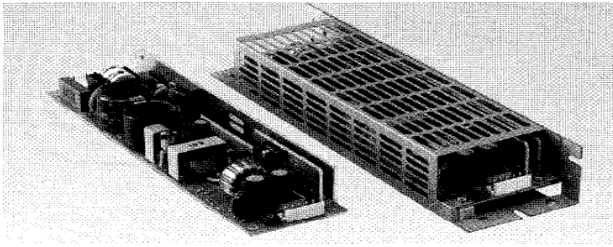
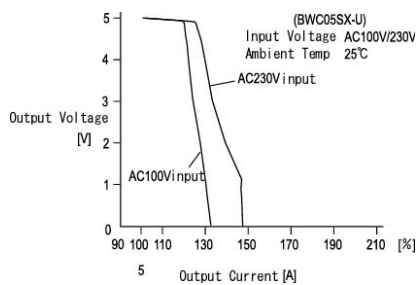


# 75 WATT AC-DC CONVERTER BWC-SX SERIES

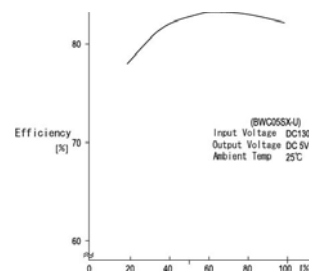


Specifications<AC/DC>	Model							
<b>BWC**SX-U</b> <b>75W ATTS / SINGLE</b>	BWC3.3SX-U	BWC05SX-U	BWC12SX-U	BWC15SX-U	BWC24SX-U	BWC30SX-U	BWC36SX-U	BWC48SX-U
<b>Input Characteristic</b>								
Input Voltage	AC100/230V							
Input Current	1.7A at AC100V/0.9A at 230V							
Input Range	AC85-264V(DC110-350V)							
Input Frequency	50/60Hz							
Input Frequency Range	47-440Hz							
Phase	Single							
Inrush Current *1	20A(maximum) at AC115V/40A(maximum) at AC230V							
Efficiency [%] (typical) *2	77	81	84	84	86	86	88	87

**OCP Curve**



**Efficiency Curve**



## BWC Specification

Specifications<AC/DC>	Model							
<b>BWC**SX-U 75WATTS/SINGLE</b>	BWC3.3SX-U	BWC05SX-U	BWC12SX-U	BWC15SX-U	BWC24SX-U	BWC30SX-U	BWC36SX-U	BWC48SX-U
<b>Output Characteristic</b>								
Output Voltage [V]	3.3	5	12	15	24	30	36	48
Output Current [A]	15.0	15.0	6.3	5.0	3.2(P4.5)	2.5	2.1	1.6
Voltage Adjust Range	+/- 10% of Rated Output Voltage(at no load within the input range)							
Ripple and Noise [mVp-p](maximum) *3	120	150	220	250	340	400	460	580
Regulation								
Statistic Line Regulation [mV](maximum)	26.4	40	96	120	192	240	288	384
Statistic Load Regulation [mV](maximum)	29.7	45	108	135	216	270	324	432
Temperature Coefficient *4	0.03%/°C							
Drift[mV](maximum) *5	31.5	40	75	90	135	165	195	255
Dynamic Load Regulation [mV](typical) *6	99	150	360	450	720	900	1080	1440
Recovery Time *6	0.5mS(typical)							
Rise up time	300mS(maximum) at 25°Cand rated input/output							
Hold up time	20mS(typical) at 25°Cand rated input/output							
<b>Functions</b>								
Overcurrent Protection $\geq 10\%$ of Rated Output Current[A]	Current Limiting with automatic recovery							
	16.5	16.5	6.93	5.5	$\geq$ Peak	2.75	2.31	1.76
Overvoltage Protection $\geq 15\%$ of Rated Output Voltage[V]	Output shutdown(to reset,leave 1minute after shut-off)							
	3.8	5.75	13.8	17.3	27.6	34.5	41.4	55.2
Remote Sense	not available							
Remote On/Off	not available							
<b>Environmental</b>								
Operating Temperature	open board type:-10 to +50°Cenclosed type:-10 to +40°C							
Operating Humidity	20 to 85%/RH(non-condensing)							
Storage Temperature	-20 to +85°C							
Storage Humidity	20 to 85%/RH(non-condensing)							
Withstanding Voltage	Primary-Secondary AC3,000V for 1minute Primary-Frame Ground AC2,500V for 1minute Secondary-Frame Ground AC500V for 1minute							
Isolation Resistance	Primary-Secondary-Frame Ground 50M $\Omega$ (minimum) by DC500V insulation tester							
Vibration	5-10Hz:10mm double amplitude,10-55Hz:19.6m/s <sup>2</sup> ,20minutes' period for 60minutes each along X,Y,Z axes(non-operating)							
Shock	196m/s <sup>2</sup>							
Cooling	Convection							
? Leakage Current	0.75mA(maximum) at 25°Crated input/output and rated input frequency							
? Line Conducted Noise	Built to meet FCC Part15-B Class B							
	Built to meet VCCI Class B							
	Built to meet EN55022 Class B							
? Safety	UL: UL1950							
	C-UL: CSA C22.2 No.950							
	VDE: EN60950, IEC950, VDE0805							
Weight (typical)	open board type:280g/enclosed type:520g							
? MTBF [H]	500,000							
? Switching Frequency[kHz](typical)	140							

Conditions:

\*1at cold start

\*2 at DC130V input/rated output

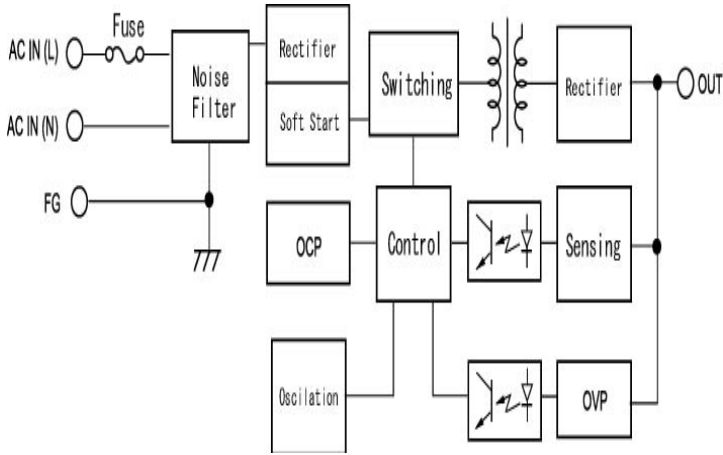
\*3 measured by a bayonet probe at the end of a pair of 15cm long wires terminated with a 100uF electrolytic capacitor and 0.1uF film capacitor in parallel at a 0 to 100MHz bandwidth

\*4 open board type: at -10 to +50°Cenclosed type: at -10 to +40°C

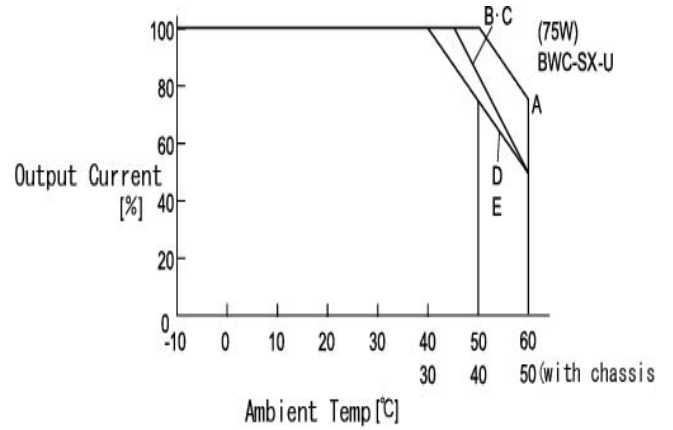
\*5 for 7hour period after 1hour warm-up at 25°Cand rated input/output

\*6 when output current changed from 25% of rated output current to 75% rapidly at rated input

**Block Diagram**

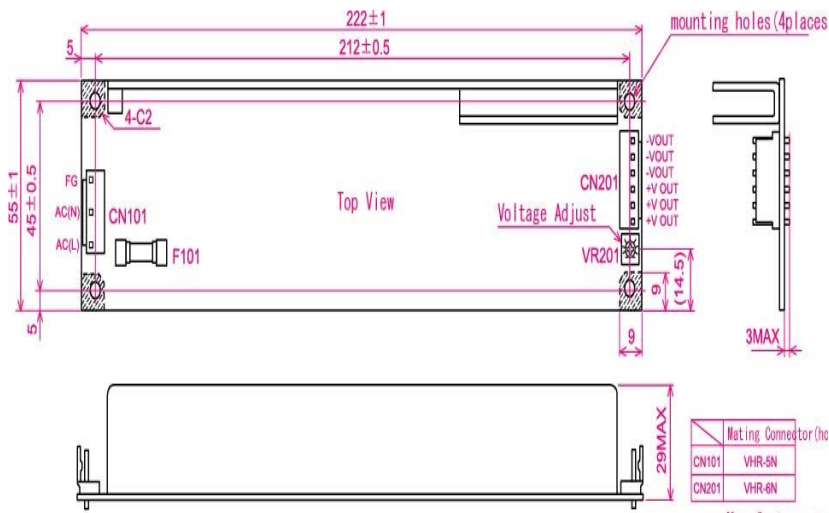


**Derating Curve**



For safety specification, contact ETA Sales Representative

**Dimension (mm)**



cover comes in touch when installed (dimensions in maximum)

## X-ON Electronics

Largest Supplier of Electrical and Electronic Components

*Click to view similar products for [Switching Power Supplies](#) category:*

*Click to view products by [ETA](#) manufacturer:*

Other Similar products are found below :

[70841011](#) [73-551-0005](#) [73-551-0048](#) [PS3E-B12F](#) [PS3E-E12F](#) [AAD600S-4-OP](#) [R22095](#) [KD0204](#) [9021](#) [LDIN100150](#) [LPM000-BBAR-01](#)  
[LPX17S-C](#) [EVS57-10R6/R](#) [FP80](#) [FRV7000G](#) [22929](#) [PS3E-F12F](#) [CQM1IA121](#) [40370121900](#) [VI-PU22-EXX](#) [40370121910](#) [LDIN5075](#)  
[LPM615-CHAS](#) [LPX140-C](#) [09-160CFG](#) [70841025](#) [VPX3000-CBL-DC](#) [LPM000-BBAR-05](#) [LPM000-BBAR-08](#) [LPM124-OUTA1-48](#)  
[LPM000-BBAR-07](#) [LPM109-OUTA1-10](#) [LPM616-CHAS](#) [08-30466-1055G](#) [08-30466-2175G](#) [08-30466-2125G](#) [DMB-EWG](#) [TVQF-1219-](#)  
[18S](#) [6504-226-2101](#) [CQM1IPS01](#) [SP-300-5](#) [CQM1-IPS02](#) [VI-MUL-ES](#) [22829](#) [08-30466-0065G](#) [VI-RU031-EWWX](#) [08-30466-0028G](#) [VI-](#)  
[LUL-EU](#) [EP3000AC48INZ](#) [VP-C2104853](#)