



DAC25-FWX Series

25 Watt AC/DC Power Supply



Dual Output
 Isolated output 3000VAC
 Internal Input Filter
 Up to 80% Efficiency
 Encapsulated compact size 3" X2"
 EN62368-1, CE recognized
 ITE & AC Motor Applications
 3 year Warranty
 -DAC25-20: 5V, 5V - DAC25-21: 5V, 24V
 -DAC25-22:12V,12V - DAC25-23:15V, 15V
 -DAC25-24: 5V, 12V -DAC25-25: 5V,15V
 - DAC25-26: 24V, 24V - DAC25-27: 3.3V, 5V



		UNIT		
INPUT	Voltage/Freq	V	Universal Input voltage AC 90V ~ 264V	100~240 VAC 47 ~ 63Hz
	Current Typ. 110V 220V	A		
	Min. Load	-	20%	
	Inrush Current	A	115V 12A (Ta=25°C, Io=100% at cold Start); 230V 20A (Ta=25°C, Io=100% at cold Start)	
	Line Frequency	Hz	47 ~ 63	Typ. 50/60

		UNIT	DAC25-20FWX	DAC25-21FWX	DAC25-22FWX	DAC25-23FWX
OUTPUT	Nominal Voltage	VDC	+/- 5	+5 /+24	+/- 12	+/- 15
	Efficiency typ	%	75	78	78	80
	Current	A	+/- 2.5	+2.4/+ 0.5	+/- 1.0	+/- 0.8
	Transient Recovery time	us	Vi nom, Io nom = 0.5 Io nom Typ. 1000us			
	Line Regulation	%	+/-1%	+/-1%	+/-1%	+/-1%
	Load Regulation	%	+/-5%	+/-5%	+/-5%	+/-5%
	Ripple Noise 20MHz BW full load	mVp-p	150	100/150	150	150
	Voltage Accuracy	%	5	5	5	5
	Over Load Protection	-	Auto Recovery			
	Short Circuit Protection	-	CONT. Auto Recovery			
	Over Voltage Protection	-	120%-150% rated output Voltage Protection type: Zener diode clamp			





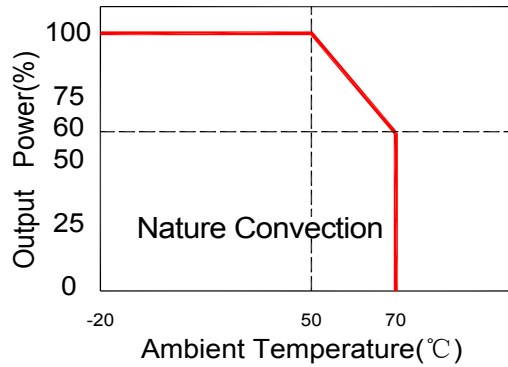
		UNIT	DAC25-24FWX	DAC25-25 FWX	DAC25-26FWX	DAC25-27FWX
OUTPUT	Nominal Voltage	VDC	+5/+12	+5 /+15	+/-24	+3.3 / +5
	Efficiency typ	%	76	76	80	76
	Current	A	+2.4/+1.0	+2.4/+ 0.8	+/- 0.5	2.5 / 1.0
	Transient Recovery time	us	Vi nom, lo nom = 0.5 lo nom Typ. 1000us			
	Line Regulation	%	+/-1%	+/-1%	+/-1%	+/-1%
	Load Regulation	%	+/-5%	+/-5%	+/-5%	+/-5%
	Ripple Noise 20MHz BW full load	mVp-p	150/240	150/240	150	150/240
	Voltage Accuracy	%	5	5	5	5
	Over Load Protection	-	Auto Recovery			
	Short Circuit Protection	-	CONT. Auto Recovery			
Over Voltage Protection		120%-150% rated output Voltage Protection type: Zener diode clamp				

Isolation	Isolation Voltage	Input / Output 3KVac/ 5mA/5Secs
	Isolation Capacitance	
	Isolation Resistance	Input / Output, @500 Vdc 100MΩ
Environment	Operating Temp/Hum.	-20~ +75
	Storage Temp/Hum.	-40 ~ +85 HUMIDITY 95% 5RH%
	Derating	Vi nom, lo nom+51 to 71°C 2 %/°C
Safety	CE	EN62368-1
	EMI Conduction & Radiation	Compliance to EN55032
	EMS Immunity	Compliance to EN55024
Size	MM	76.2 X 50.8 X 25.4 (mm) 3" X 2" X 1" 112 grams





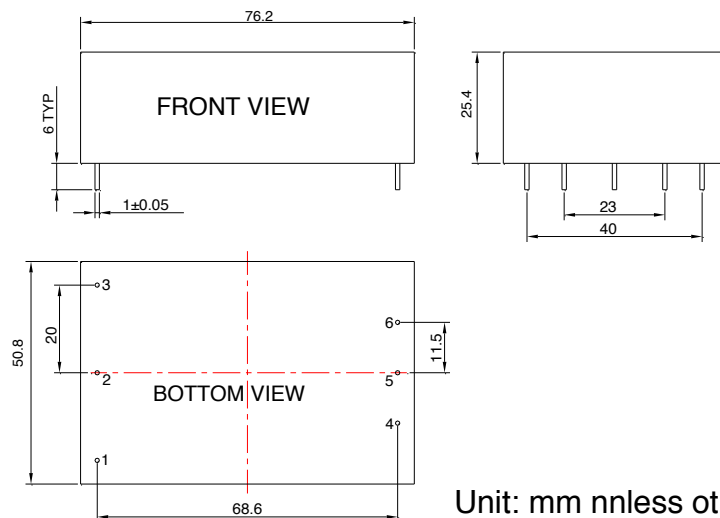
OUTPUT DERATING CURVE AND RECCOMENDED MOUNTING DIAGRAM



Terminal Output

PIN	Model		
	Single	Dual	Dual
1	FG	FG	FG
2	ACN	ACN	ACN
3	ACL	ACL	ACL
4	-Vo	-Vo	+Vo2
5	NO PIN	Com	Com
6	+Vo	+Vo	+Vo1

DIMENSIONAL DRAWING (mm)



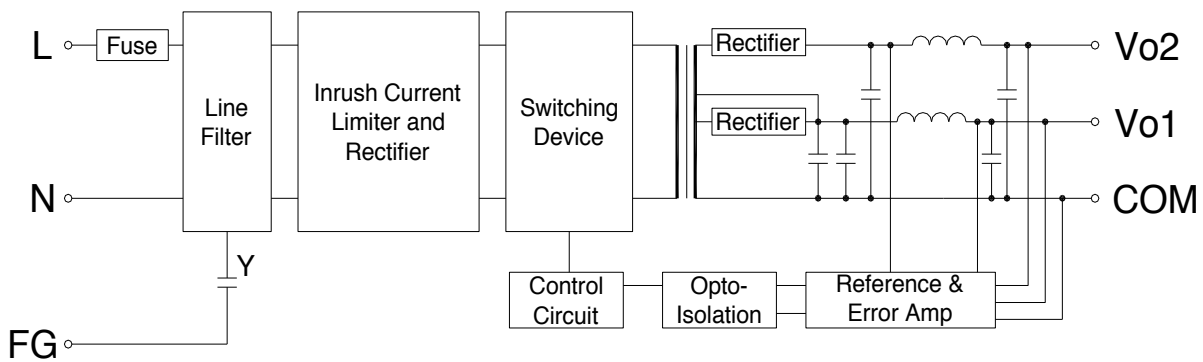
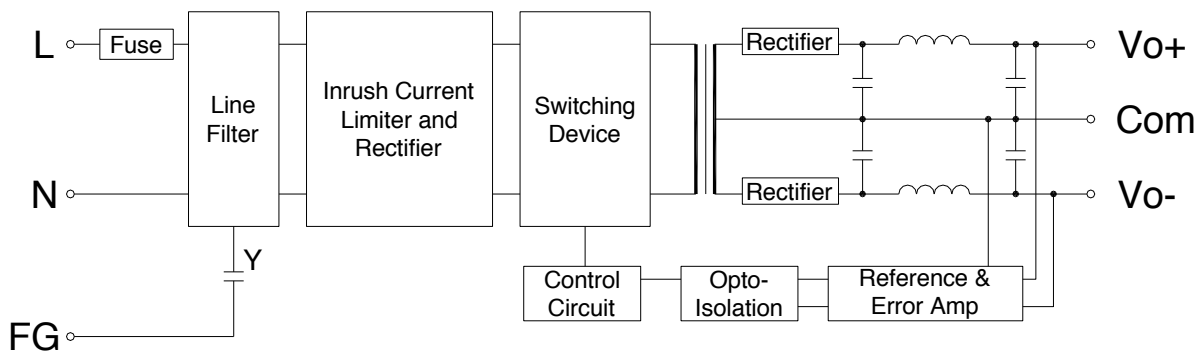
Unit: mm unless otherwise specified, all tolerances are ±0.50





BLOCK DIAGRAM

Dual Output



X-ON Electronics

Largest Supplier of Electrical and Electronic Components

Click to view similar products for [AC/DC Power Modules](#) category:

Click to view products by [ETA](#) manufacturer:

Other Similar products are found below :

[VI-HAM-CM](#) [ERP-350-12](#) [KPSB25-12-J](#) [KPSB25-15-J](#) [KPSB25-24-J](#) [KPSB25-36-J](#) [KPSB25-5-J](#) [KPSB6-12-J](#) [KPSB6-5-J](#) [TMPS 03-112](#)
[TMPS 03-115](#) [TMPS 03-124](#) [IRM-03-9S](#) [LFWLT300-CK](#) [TMPS 03-109](#) [TPP 40-112](#) [TPP 65-105](#) [TPP 65-112](#) [VOF-275-48](#) [RAC04-](#)
[12DC/277-E](#) [RAC04-05DC/277-E](#) [KMS15-9](#) [RAC04-0512DC/277-E](#) [PFE700SA-48/T](#) [MFM-15-12](#) [MFM-15-5](#) [MFM-20-12](#) [MFM-20-5](#)
[MPM-05-12](#) [MPM-05-5](#) [MPM-10-24](#) [MPM-10-5](#) [MPM-15-12](#) [MPM-15-24](#) [MPM-15-5](#) [MPM-20-12](#) [MPM-20-24](#) [MPM-20-5](#) [MPM-30-12](#)
[MPM-30-24](#) [MPM-30-5](#) [RAC01-05SGA](#) [RAC01-05SGB](#) [RAC02-05SGB](#) [RAC02-12SGA](#) [RAC02-12SGB](#) [RAC03-05SGA](#) [RAC03-05SGB](#)
[RAC03-12SGA](#) [RAC03-3.3SGA](#)