



DTL65-SX-WL6

65W



FEATURES:

- 3-pole IEC320-C6 and 2-pole C8 AC inlet available
- Meet Efficiency level VI & Erp Tier 2 requirements
- No load Power consumption < 150mW
- Power on LED indicator
- 3 year warranty
- LPS



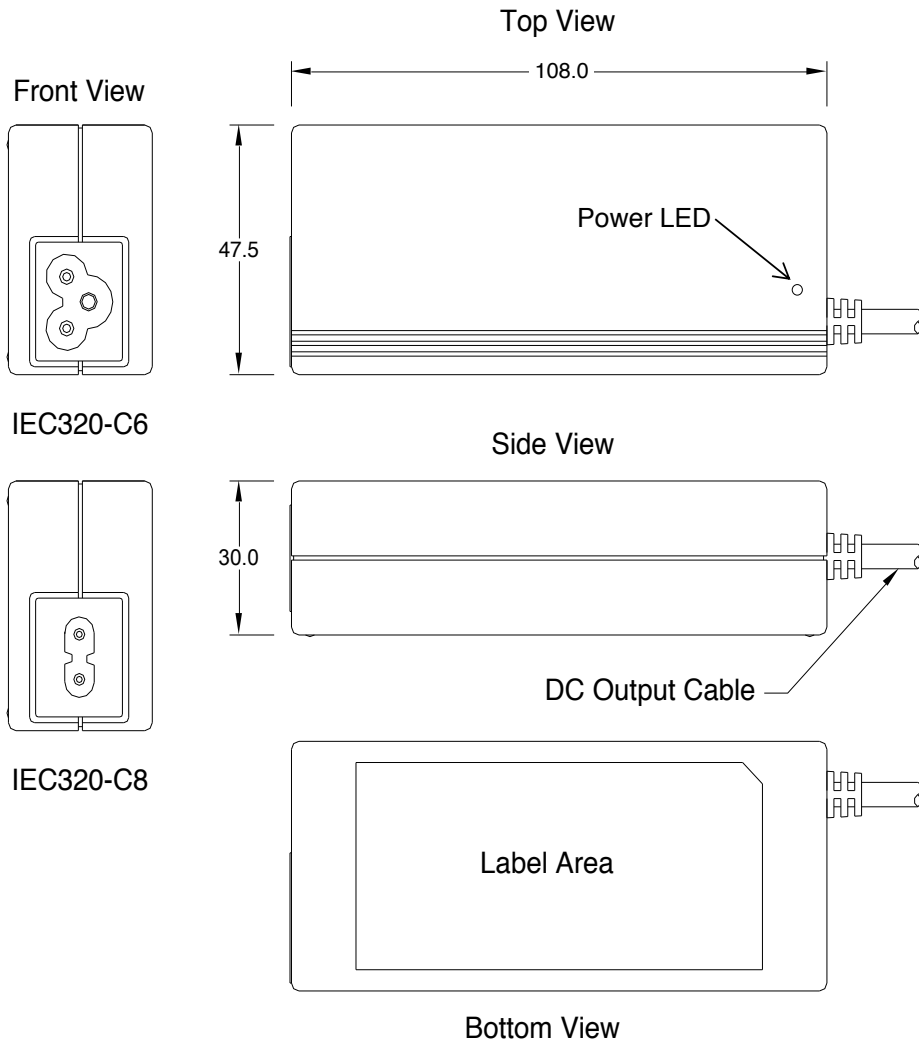
MODEL/CHANNEL		Unit	DTL65-12 SX-WL6	DTL65-15 SX-WL6	DTL65-19 SX-WL6	DTL65-24 SX-WL6	DTL65-28 SX-WL6	DTL65-48 SX-WL6
OUTPUT	Output Voltage	Vdc	12	15	19	24	28	48
	Output Current	A	5	4	3.42	2.71	2.32	1.35
	LPS (Limit Power Sources)	-	√	√	√	√	√	√
	O/P Regulation	%	±5%			±3%		
	PO	W	60W			65W		
	Ripple & Noise(max) *3	mV	150mV					
INPUT	Input Voltage	Vac	90 - 264VAC					
	Input Current	A	2A @90VAC; 1A @264VAC max.					
	Input Frequency	Hz	47 - 63Hz					
	Inrush Current	-	< 45A peak @115VAC; < 90A peak @230VAC cold start @25°C					
	Efficiency (typical) *2	mA	> 89% @average Load, 115/230VAC					
	Hold On Time	-	> 10ms typical @full load, 115VAC					
Protection	Over Load Protection	-	Auto-recovery					
	Over Voltage Protection	-	Latch off					
	Short circuit protection	-	Auto-recovery					
Environmental Agencies	Safety	-	UL 60950-1	CSA C22.2-No.60950-1	TUV EN60950-1	CB IEC 60950-1		
	EMC Standards	-	FCC Class B	CISPR22 Class B	EN 55032 Class B		CE	
	MTBF	-	> 200,000 hours at full load and 25°C ambient temperature					
Environment	Operating Temperature	-	-20 to +70°C (Derate linearly 2.5% per °C from 41 to 70°C)					
	Operating Humidity	-	10% ~ 90%					
	Storage Temperature	-	-20°C to +85°C					
Dimension	Size(WxHxD) / Weight	mm/g	L108 x W47.5 x H30 mm / 235 gs					





MECHANICAL DIMENSIONS

65W



- Note:
1. AC Inlet : IEC320-C6 or IEC320-C8
 2. Plastic Case Color : Black
 3. Tolerance : $\pm 0.5\text{mm}$
 4. Unit : mm



X-ON Electronics

Largest Supplier of Electrical and Electronic Components

Click to view similar products for [Desktop AC Adapters](#) category:

Click to view products by [ETA](#) manufacturer:

Other Similar products are found below :

[212A2136](#) [ADP485-01](#) [SWA-1202](#) [SWA-1501](#) [212A2220](#) [KR8-PS01](#) [1894875](#) [FWE050024B-10A](#) [820A4080G](#) [825A0057-03](#) [SWA-1704W](#) [AD5012N2LM-\(401\)](#) [TRH21A120-49E03-Level-VI](#) [FWE050012B-10A](#) [AC-DC ADAPTER 90W w/ Cable](#) [FWA065024A-11A](#) [PSA120U-560L6](#) [96PSA-A63W18V1-M](#) [1895235](#) [PW-C0725-W2-B](#) [57-U1](#) [57-U2](#) [SED80N2-16.0](#) [SED80N3-16.0](#) [RFQ43442-01](#) [YS50-1903150](#) [50966124050E](#) [PCM50UT04](#) [PCM50UT05](#) [CPSUNOTAKY-07056](#) [CPSUNOTAKY-07168](#) [CPSUNOTAKY-07169](#) [CPSUNOTAKY-07234](#) [CPSUNOTAKY-07236](#) [CPSUNOTAKY-07288](#) [CPSUNOTAKY-07312](#) [CPSUNOTAKY-07342](#) [CPSUNOTAKY-07387](#) [CPSUNOTAKY-07388](#) [TE30A0503F01](#) [TE30A4803F01](#) [TE40A2403F01](#) [TE40A2403N01](#) [ME30A1803N01](#) [ME30A4803F01](#) [ME40A1203N01](#) [ME40A2403N01](#) [MENT1150A2451F01](#) [125530040F](#) [1255300611](#)