



# ETA-USA

## HIGH QUALITY SWITCHING POWER SUPPLIES

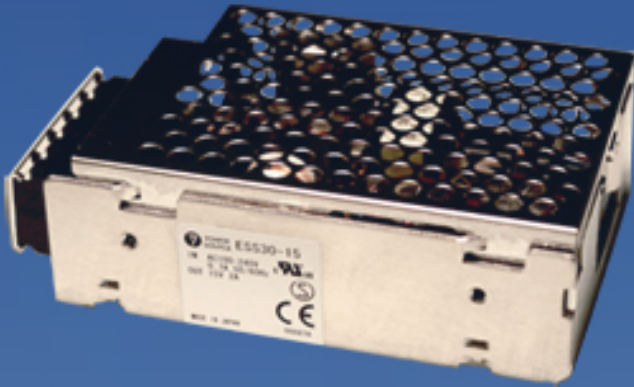
AC/DC SWITCHING POWER SUPPLY  
SINGLE CHANNEL OUTPUT  
15 WATTS  
UNIVERSAL INPUT

### ESS15 SERIES



# ES Series

ESS15 15W      ESS75 75W  
ESS30 30W      ESS100 100W  
ESS50 50W      ESS150 150W  
Closed Frame



#### General Description

#### Features

1. Smaller than competitors by 15-20%
2. Operating temp shows full load at 50° C (122° F), can operate at temperatures up to 71°C
3. Five-year guarantee
4. Over-current protection
5. Over-voltage protection
6. Can meet medical and appliance standards
7. Low leakage < 500µA

#### Options

DIN Rail an Option  
V JST (ex: ESS15-05-J)

#### Application

Broad needs

#### Input

Input Voltage	AC100~240V
Input Voltage Range:	AC85~264V; (DC110~370V) with 70V derating possibility
Frequency:	50/60 Hz
Frequency Range:	47~440 Hz
Phase:	Single
Inrush Current:	*1, *4 14A (Typ.) at AC100VAC 28A (Typ.) 200VAC



# ETA-USA

HIGH QUALITY SWITCHING POWER SUPPLIES

Output Characteristic	Unit	Models						
		ESS15-3.3	ESS15-05	ESS15-12	ESS15-15	ESS15-24	ESS15-36	ESS15-48
Output Voltage	Vdc	3.3	5.0	12	15	24	36	48
Output Current	A	3	3	1.3	1	0.7	0.4	0.33
Ripple & Noise(max)	mVpp	120	120	150	150	150	250	250
Voltage Adjust Range	V	2.97~3.63	4.50~5.50	10.8~13.2	13.5~16.5	21.6~26.4	32.4~39.6	43.2~52.8
Rise time	mS	20 mS max						
Hold up time	mS	20 mS max.						
Regulation								
a. Line Regulation [max]	mV	20	20	48	60	96	144	192
b. Load Regulation	mV	40	40	100	120	150	240	240
c. Temperature Coefficient	0 to 50°C	50	50	120	150	240	360	480
	-10 to 0°C	60	60	150	180	290	450	600
d. Drift(maximum)	mV	20	20	48	60	96	144	192
<b>Efficiency *1</b>	<b>%</b>	<b>At AC100V 75%-85.5%</b> <b>At AC 200V 75%-87.5%</b>						
<b>Power Factor *1</b>		<b>No power factor needed</b>						

Note: If you would like to buy a wire harness with this power supply, you may either order the wire harness through Molex or directly through ETA-USA. Please observe the following table:

ETA POWER SUPPLY	INPUT HOUSING	OUTPUT HOUSING	TERMINAL	ETA WIRE HARNESS # ; input/output
ESS15-3.3V	-JST	-JST		
ESS15-05V				
ESS15-12V				
ESS15-15V	0010-63-3044 ( 5199-04)	0009-65-2049- (5277-04A)	5194PBT(L)	WH-ESS15-J; 40cm WIRE HARNESS
ESS15-24V				
ESS15-36V				
ESS15-48V				



# ETA-USA

## HIGH QUALITY SWITCHING POWER SUPPLIES

Environmental Specification	
Operating Temperature*3	-10 to +71 °C
Operating Humidity	20~90% RH non condensing
Storage Temperature	-30 to +85 °C
Storage Humidity	10~95% RH
Withstanding Voltage	Primary-Secondary AC3,000V for 1minute Primary-Frame Ground AC2,500V for 1minute Secondary-Frame Ground AC1,000V for 1minute *Sensory Current: Secondary Frame Ground (20[mA])/Others (10[mA])
Isolation Resistance	Primary-Secondary-Frame Ground 100MΩ(minimum) by DC500V insulation tester
Vibration	5~10Hz:10mm double amplitude,10-55Hz:19.6m/s <sup>2</sup> ,30 minute cycle each along X,Y,Z axes(non-operating)
Shock	196 m/s <sup>2</sup> on x,y,z axis
Cooling	Convection
Leakage current	500μA
MTBF	>360,000 hours
Environmental Agencies	
Line Conducted Noise [EMI]	Built to meet FCC-B, VCCI-B, CISPR22-B, EN55022-B
Line Harmonic Distortion/Current	Not available
Safety	UL60950-1 1st ed. , CAN/CSA C22.2 No.60950-1-03 Approved UL508 17th ed. , CAN/CSA C22.2 No.107.1-01 Approved EN60950-1:2001+A11:2004 Approved CE Marking : EN60950-1:2001+A11:2004 (LVD) Declared
Function/Protection	
Over current Protection	Operate at 105% min of rated current, automatic return
Over voltage Protection	Input reentry at shutdown
Remote Sense	Not Available
Remote Control	Not Available
Series Operation	Available
Parallel Operation	Not available (N+1 application is possible by diode-OR)
Driving Indicator	Power Source on LED indication; Green
Mechanical	
Dimension [mm]	33.5W × 86.5L × 68H
Weight [g] (typical)	200g

Conditions:

- \*1 Rated input and Rated output
- \*2 at Output current quick change 25% to 75%
- \*3 At 100% load (convection cooling)
- \*4 Cold start at 25 °C Ambient temp.



ETA USA  
16170 Vineyard Blvd. Suite 180, Morgan Hill, CA 95037  
Phone: 1-800-ETA-POWR, (408) 778-2793 Fax: (408) 779-2753

Visit us at: [www.eta-usa.com](http://www.eta-usa.com)  
email at: [sales@eta-usa.com](mailto:sales@eta-usa.com)



# **ETA-USA**

**HIGH QUALITY SWITCHING POWER SUPPLIES**

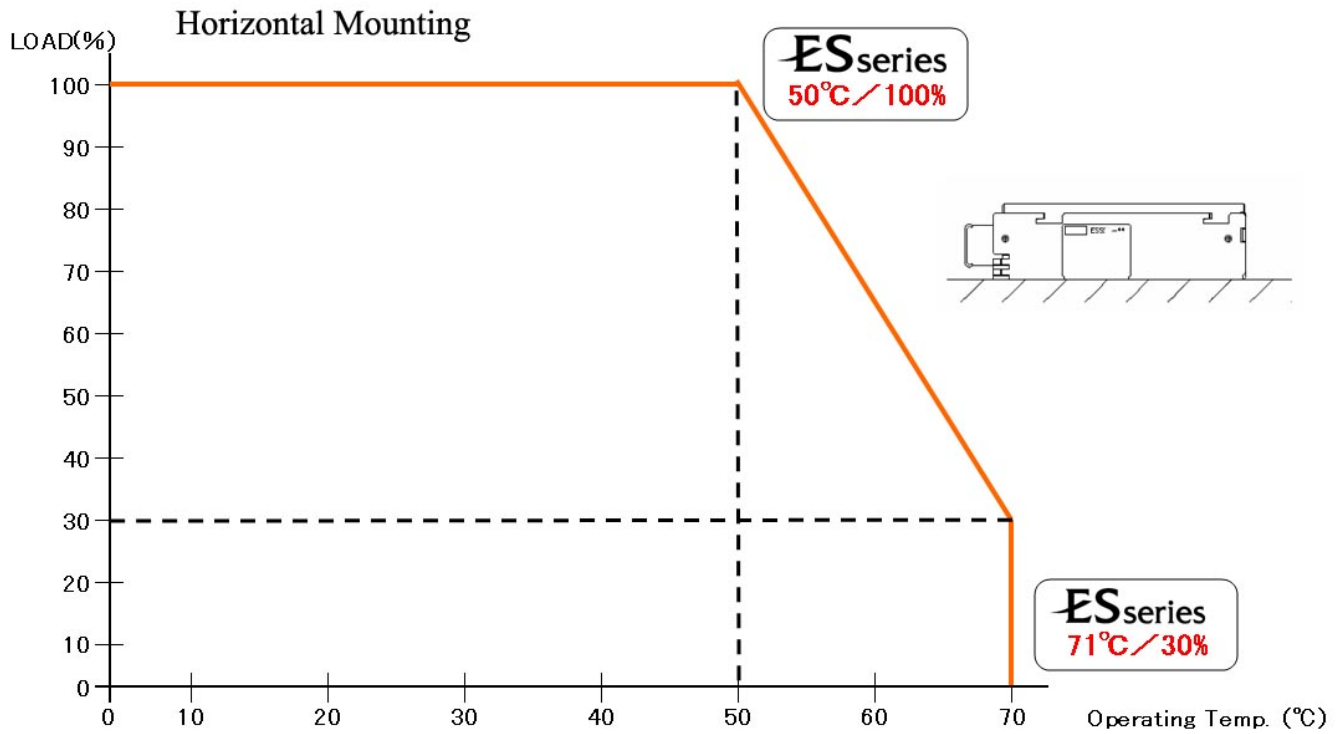
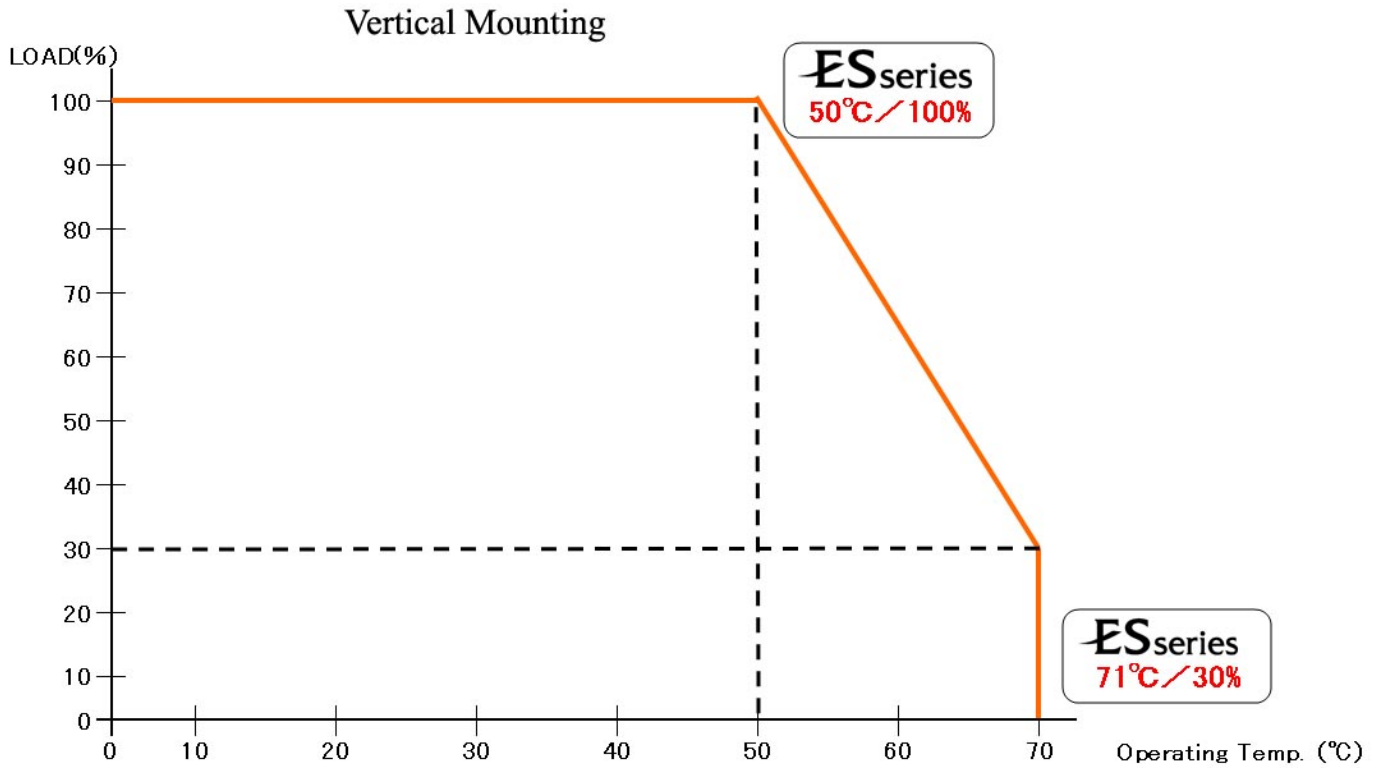
## **Derating Curves**





# ETA-USA

## HIGH QUALITY SWITCHING POWER SUPPLIES



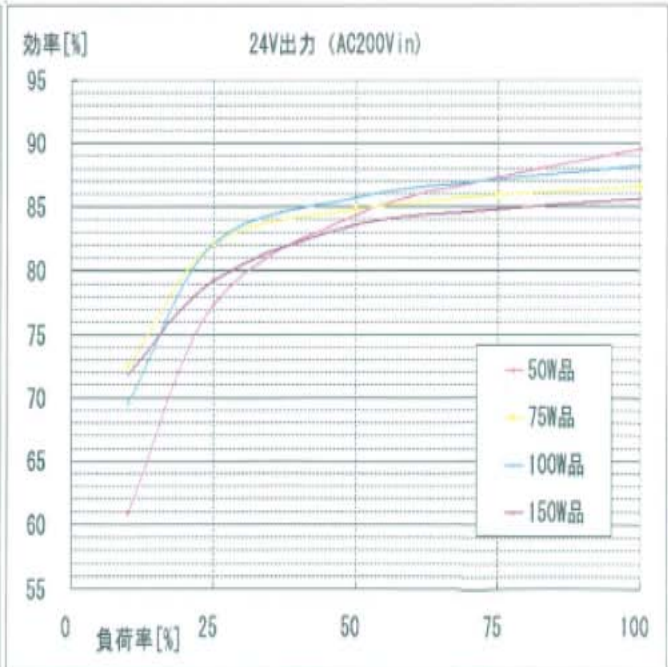
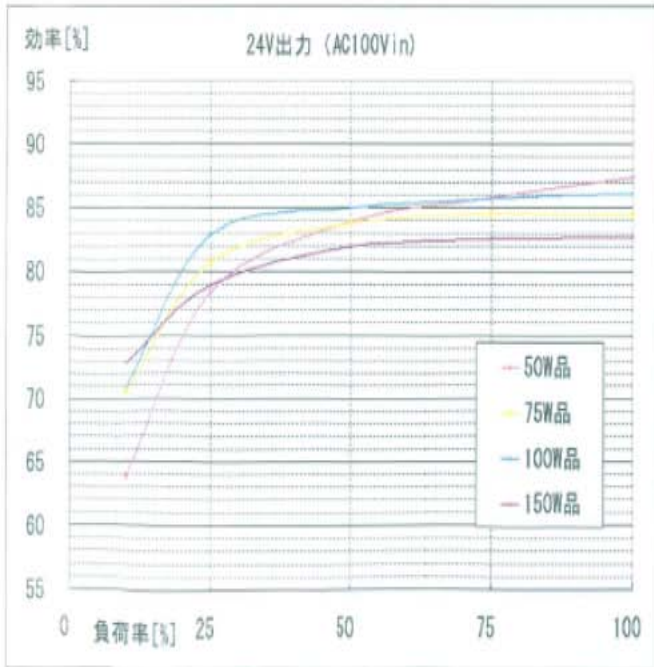
## Efficiency Curves



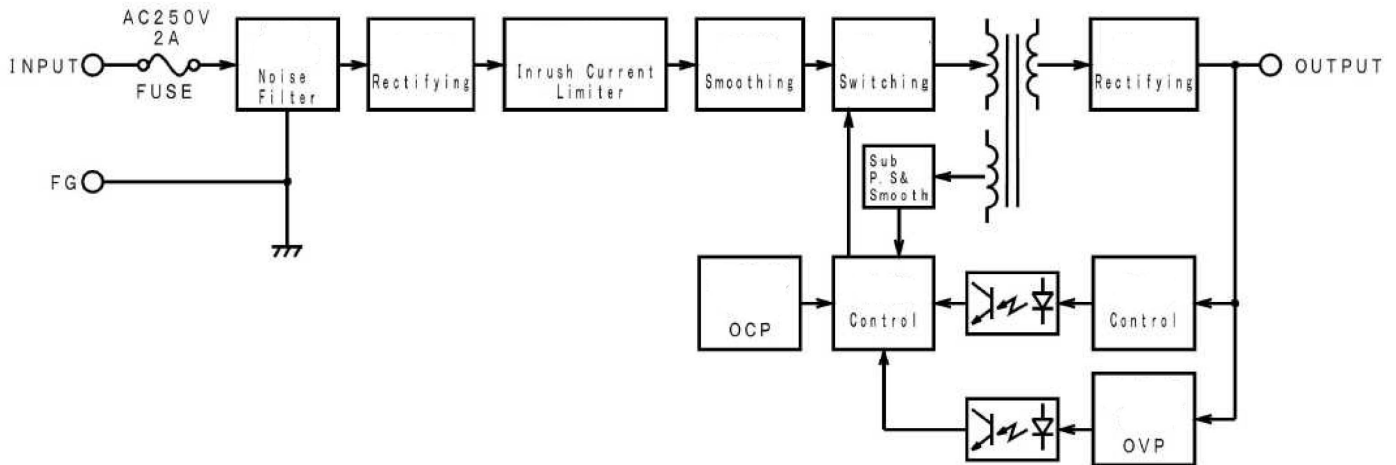


# ETA-USA

## HIGH QUALITY SWITCHING POWER SUPPLIES



### Block Diagram



### Mechanical Drawings

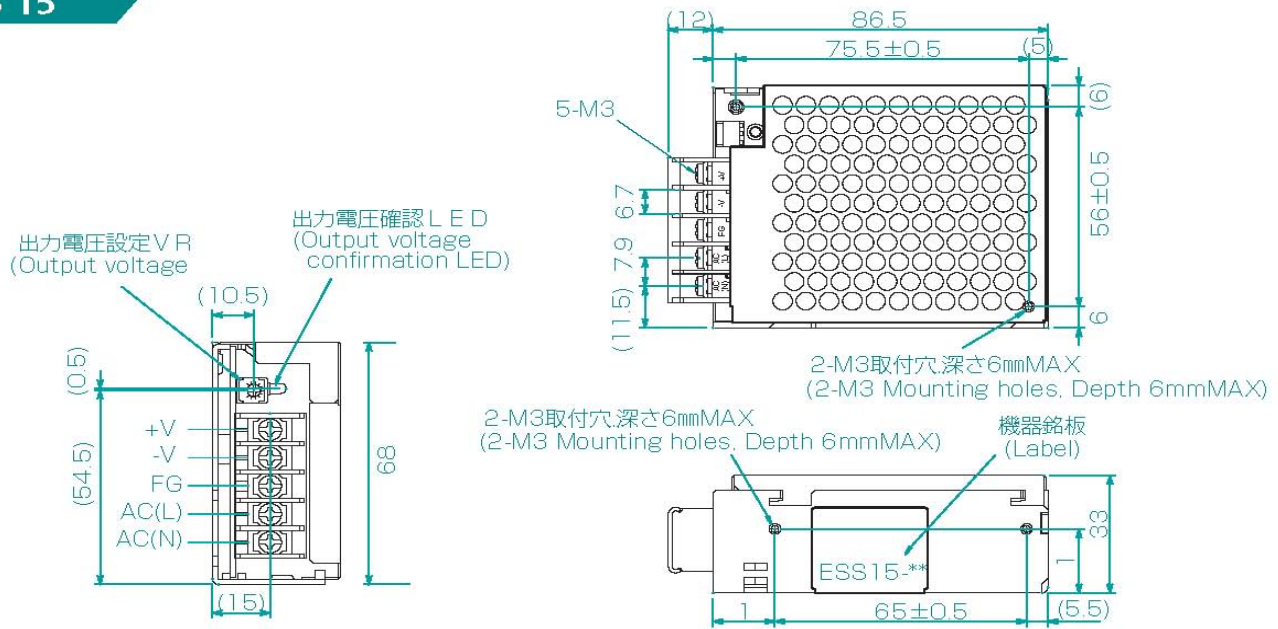




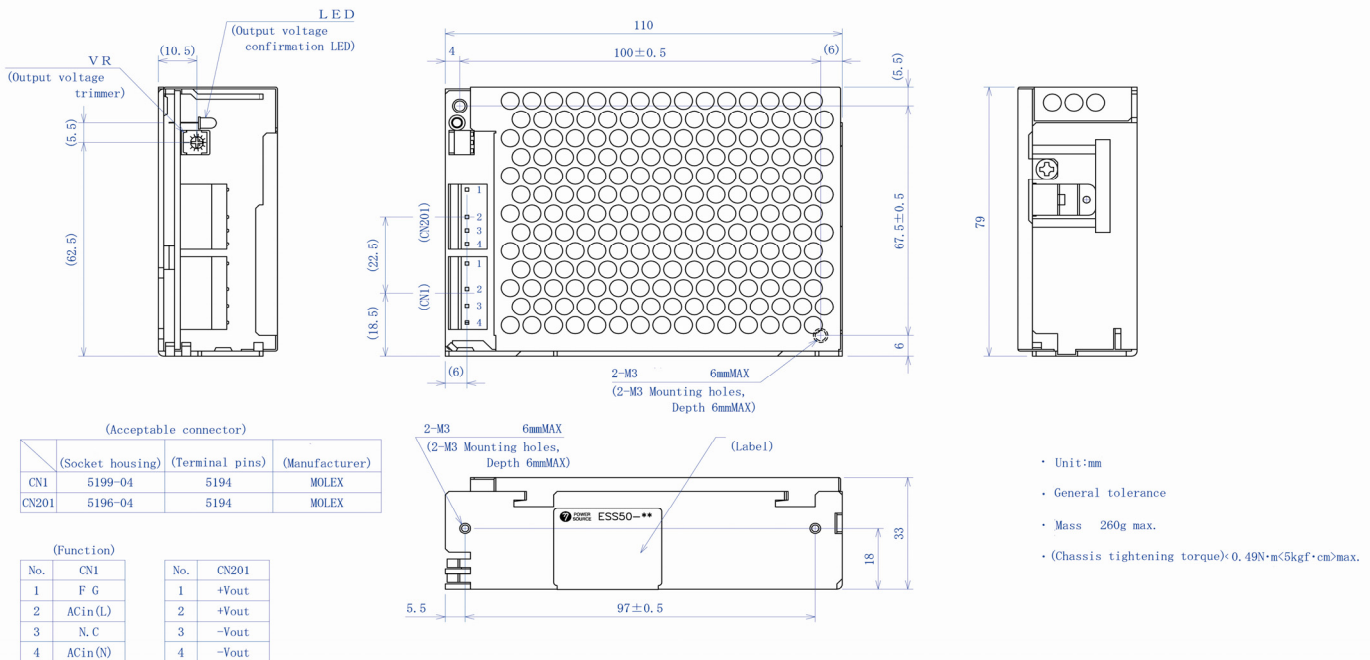
# ETA-USA

## HIGH QUALITY SWITCHING POWER SUPPLIES

### ESS 15



### Mechanical Drawing with “-J” connector



(Acceptable connector)

(Socket housing)	(Terminal pins)	(Manufacturer)
CN1 5199-04	5194	MOLEX
CN201 5196-04	5194	MOLEX

(Function)

No.	CN1	No.	CN201
1	F G	1	+Vout
2	ACin(L)	2	+Vout
3	N.C	3	-Vout
4	ACin(N)	4	-Vout

- Unit:mm
- General tolerance
- Mass 260g max.
- (Chassis tightening torque)<0.49N·m<5kgF·cm>max.



## X-ON Electronics

Largest Supplier of Electrical and Electronic Components

*Click to view similar products for [Switching Power Supplies](#) category:*

*Click to view products by [ETA](#) manufacturer:*

Other Similar products are found below :

[70841011](#) [73-551-0005](#) [73-551-0048](#) [PS3E-B12F](#) [PS3E-E12F](#) [AAD600S-4-OP](#) [R22095](#) [KD0204](#) [9021](#) [LDIN100150](#) [LPM000-BBAR-01](#)  
[LPX17S-C](#) [EVS57-10R6/R](#) [FP80](#) [FRV7000G](#) [22929](#) [PS3E-F12F](#) [CQM1IA121](#) [40370121900](#) [VI-PU22-EXX](#) [40370121910](#) [LDIN5075](#)  
[LPM615-CHAS](#) [LPX140-C](#) [09-160CFG](#) [70841025](#) [VPX3000-CBL-DC](#) [LPM000-BBAR-05](#) [LPM000-BBAR-08](#) [LPM124-OUTA1-48](#)  
[LPM000-BBAR-07](#) [LPM109-OUTA1-10](#) [LPM616-CHAS](#) [08-30466-1055G](#) [08-30466-2175G](#) [08-30466-2125G](#) [DMB-EWG](#) [TVQF-1219-](#)  
[18S](#) [6504-226-2101](#) [CQM1IPS01](#) [SP-300-5](#) [CQM1-IPS02](#) [VI-MUL-ES](#) [22829](#) [08-30466-0065G](#) [VI-RU031-EWWX](#) [08-30466-0028G](#) [VI-](#)  
[LUL-EU](#) [EP3000AC48INZ](#) [VP-C2104853](#)