



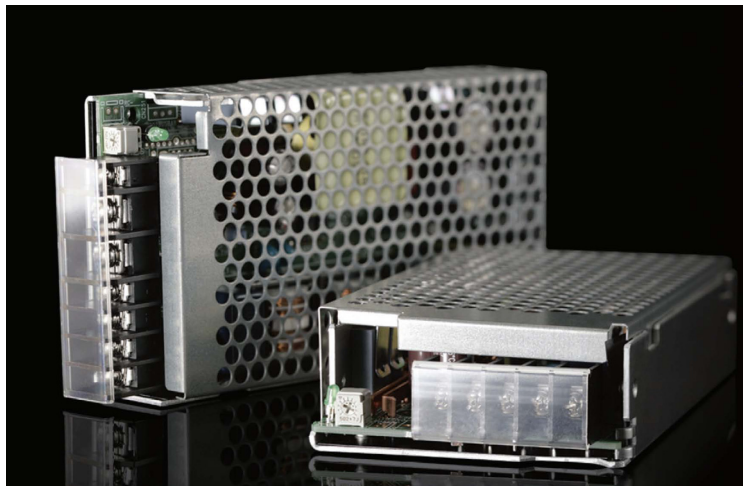
# ETA-USA

## HIGH QUALITY SWITCHING POWER SUPPLIES

AC/DC SWITCHING POWER  
SUPPLY  
SINGLE CHANNEL OUTPUT  
75 WATTS

### ESS75 SERIES

#### General Description



#### Features

1. Smaller than competitors by 15-20%
2. Operating temp shows full load at 50° C (122° F), can operate at temperatures up to 71°C
3. Five-year guarantee
4. Over-current protection
5. Over-voltage protection
6. Remote Sensing (sense line) available
7. Can meet medical and appliance standards
8. Low leakage < 500µA

#### Options

- Remote Control optional
- Remote sensing available
- DIN Rail available
- “-J” Molex connector option

#### Application

Broad needs

#### Input

**Input Voltage:** AC100~240V  
**Input Voltage Range:** AC85~264V (DC110~350V)

**Frequency:** 50/60Hz  
**Frequency Range:** 47~440Hz  
**Phase:** Single  
**Inrush Current: \*1** 14A at 100V; 28A at 200V





# ETA-USA

HIGH QUALITY SWITCHING POWER SUPPLIES

Output Characteristic	Unit	Models						
		ESS75-3.3	ESS75-05	ESS75-12	ESS75-15	ESS75-24	ESS75-36	ESS75-48
Output Voltage	Vdc	3.3	5.0	12	15	24	36	48
Output Current	A	15	15	6.3	5	3.2	2.1	1.6
Ripple & Noise(max)	mVpp	120	120	150	150	150	250	250
Voltage Adjust Range	V	2.97~3.63	4.50~5.50	10.8~13.2	13.5~16.5	21.6~26.4	32.4~39.6	43.2~52.8
Rise time	mS	30 mS typ						
Hold up time	mS	30 mS max						
Regulation								
a. Line Regulation [max]	mV	20	20	48	60	96	144	192
b. Load Regulation	mV	40	40	100	120	150	240	240
c. Temperature Coefficient	0 to 50°C	50	50	120	150	240	360	480
	-10 to 0°C	60	60	150	180	290	450	600
d. Drift(maximum)	mV	20	20	48	60	96	144	192
<b>Efficiency *1</b>	<b>%</b>	<b>At AC100V 78%-87.5%</b>						
		<b>At AC 200V 80%-89.5%</b>						
<b>Power Factor *1</b>		<b>0.89-0.99</b>						

Note: If you would like to buy a wire harness with this power supply, you may either order the wire harness through Molex or directly through ETA-USA. Please observe the following table:

ETA POWER SUPPLY	INPUT HOUSING -MOLEX	OUTPUT HOUSING -MOLEX	TERMINAL	ETA WIRE HARNESS # ; input/output
ESS75-3.3J				
ESS75-05J				
ESS75-12J				
ESS75-15J	0010-63-3044- (5199-04)	0009-50-1063- (5196-06)	5194PBT(L)	WH-ESS75-J; 40cm WIRE HARNESS
ESS75-24J				
ESS75-36J				
ESS75-48J				





# ETA-USA

## HIGH QUALITY SWITCHING POWER SUPPLIES

Environmental Specification	
Operating Temperature*3	-10 to +71 °C
Operating Humidity	20~90% RH
Storage Temperature	-30 to +85 °C
Storage Humidity	10~95% RH [non-condensing]
Withstanding Voltage	Primary-Secondary AC3,000V for 1minute Primary-Frame Ground AC2,500V for 1minute Secondary-Frame Ground AC1,000V for 1minute *Sensory Current: Secondary Frame Ground (20[mA])/Others (10[mA])
Isolation Resistance	Primary-Secondary-Frame Ground 100MΩ(minimum) by DC500V insulation tester
Vibration	5~10Hz:10mm double amplitude,10~55Hz:19.6m/s <sup>2</sup> ,30 minute cycle each along X,Y,Z axes(non-operating)
Shock	196 m/s <sup>2</sup> on x,y,z axis
Cooling	Convection
Leakage current	500μA
MTBF	>210,000 hours
Environmental Agencies	
Line Conducted Noise [EMI]	Built to meet FCC-B, VCCI-B, CISPR22-B, EN55022-B
Line Harmonic Distortion/Current	IEC61000-3-2 Compliant
Safety	CAN/CSA C22.2 No.60950-1-03 Approved CAN/CSA C22.2 No.107.1-01 Approved Approved CE Marking : EN60950-1:2001+A11:2004 (LVD) Declared
Function/Protection	
Over current Protection	Operate at 105% min of rated current, automatic return
Over voltage Protection	Input reentry at shutdown
Remote Sense	Available
Remote Control	Available
Series Operation	Available
Parallel Operation	Not Available (N+1 Operation is Applicable by Diode-OR)
Driving Indicator	Power Source on LED indication; Green
Mechanical	
Dimension [mm]	33 W × 131 L × 79 H
Weight [g] (typical)	350

Conditions:

\*1 Rated input and Rated output

\*2 at Output current quick change 25% to 75%

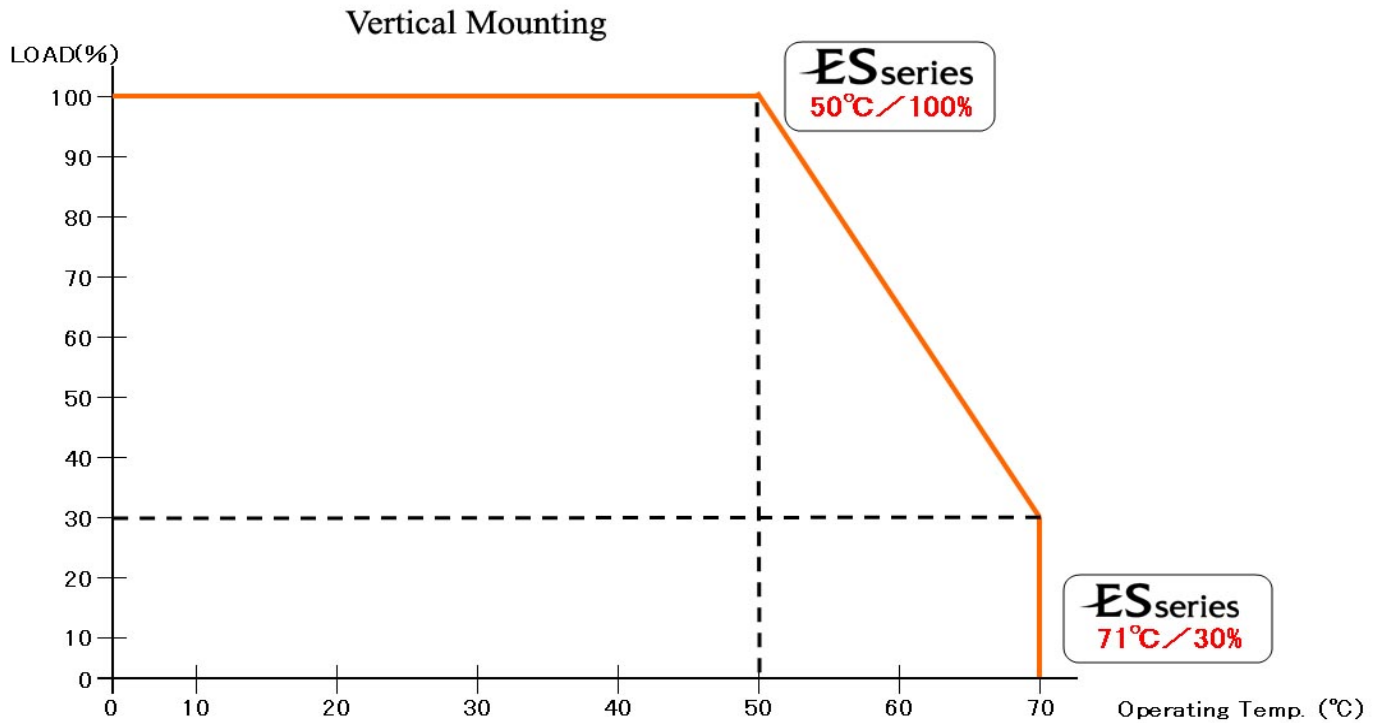
\*3 At 100% load (convection cooling)



# ETA-USA

HIGH QUALITY SWITCHING POWER SUPPLIES

## Derating Curves



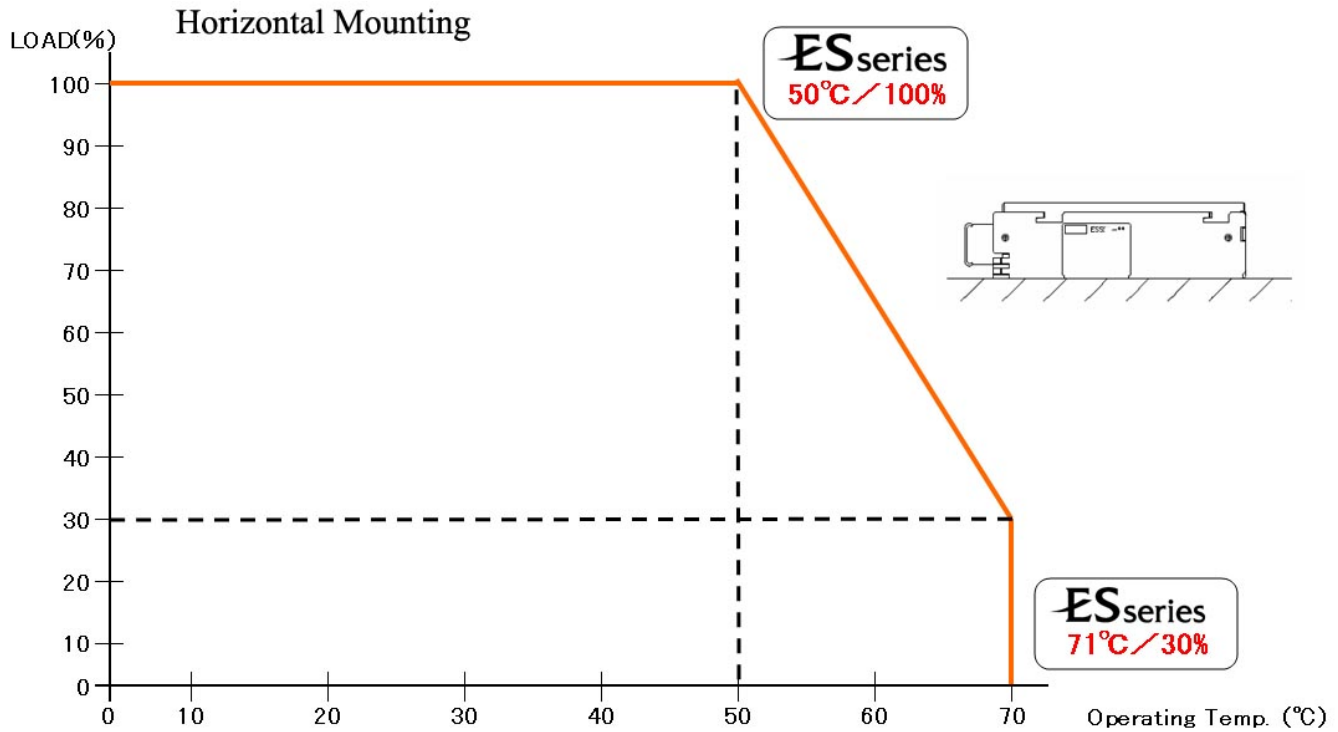
3.3 and 5V Horizontal



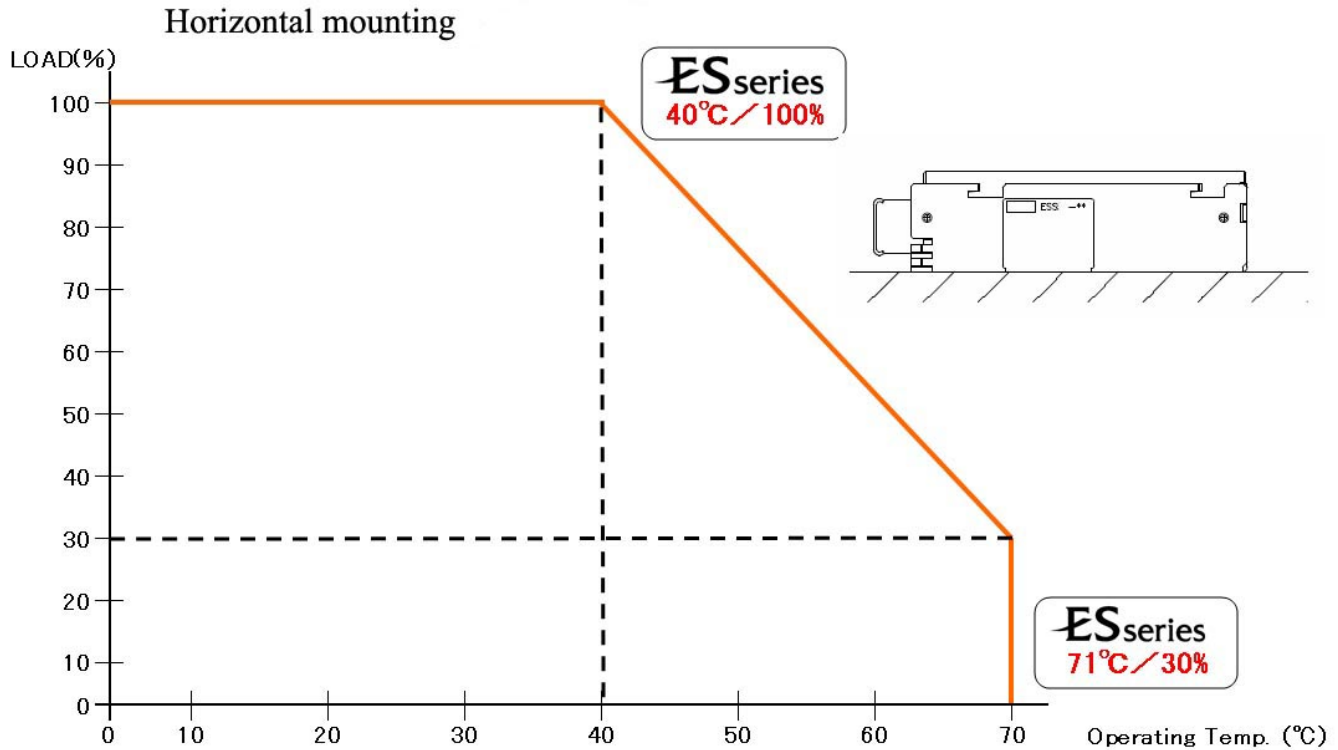


# ETA-USA

HIGH QUALITY SWITCHING POWER SUPPLIES



## 12V to 48V Horizontal

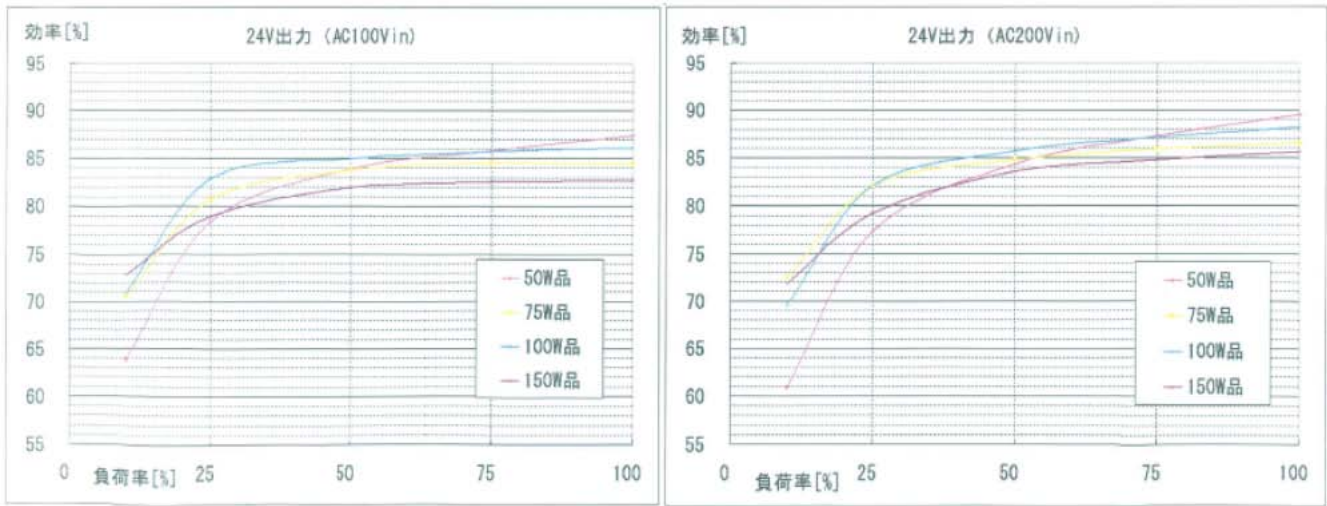




# ETA-USA

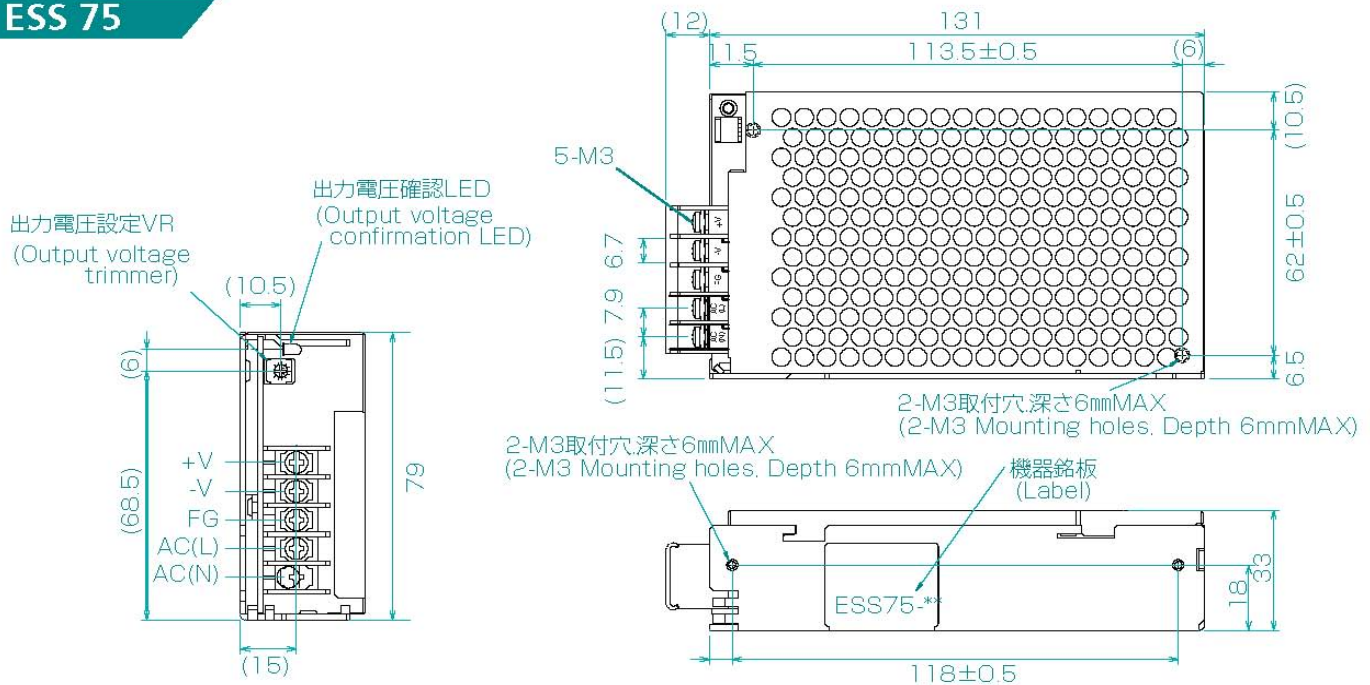
## HIGH QUALITY SWITCHING POWER SUPPLIES

### Efficiency Curves



### Mechanical Drawings

ESS 75



Mechanical drawing with “-J” connector





## X-ON Electronics

Largest Supplier of Electrical and Electronic Components

*Click to view similar products for [Switching Power Supplies](#) category:*

*Click to view products by [ETA](#) manufacturer:*

Other Similar products are found below :

[70841011](#) [73-551-0005](#) [73-551-0048](#) [PS3E-B12F](#) [PS3E-E12F](#) [AAD600S-4-OP](#) [R22095](#) [KD0204](#) [9021](#) [LDIN100150](#) [LPM000-BBAR-01](#)  
[LPX17S-C](#) [EVS57-10R6/R](#) [FP80](#) [FRV7000G](#) [22929](#) [PS3E-F12F](#) [CQM1IA121](#) [40370121900](#) [VI-PU22-EXX](#) [40370121910](#) [LDIN5075](#)  
[LPM615-CHAS](#) [LPX140-C](#) [09-160CFG](#) [70841025](#) [VPX3000-CBL-DC](#) [LPM000-BBAR-05](#) [LPM000-BBAR-08](#) [LPM124-OUTA1-48](#)  
[LPM000-BBAR-07](#) [LPM109-OUTA1-10](#) [LPM616-CHAS](#) [08-30466-1055G](#) [08-30466-2175G](#) [08-30466-2125G](#) [DMB-EWG](#) [TVQF-1219-](#)  
[18S](#) [6504-226-2101](#) [CQM1IPS01](#) [SP-300-5](#) [CQM1-IPS02](#) [VI-MUL-ES](#) [22829](#) [08-30466-0065G](#) [VI-RU031-EWWX](#) [08-30466-0028G](#) [VI-](#)  
[LUL-EU](#) [EP3000AC48INZ](#) [VP-C2104853](#)