



FHF-SX

300W Open Frame



FEATURES

- Compatibility type of PIN in the power supply unit market
- Realized wide range input(Ultra wide input)
- **Isolated Power Supply**



MODEL/CHANNEL		Unit	FHF3.3SX-U-1	FHF05SX-U-1	FHF06SX-U-1	FHF12SX-U-1	FHF15SX-U-1	
OUTPUT	Voltage	V	3.3	5	6	12	15	
	Current	A	60	60	50	27	22	
	Efficiency	%	67	72	73	75	76	
MODEL/CHANNEL		Unit	FHF24SX-U-1	FHF30SX-U-1	FHF36SX-U-1	FHF48SX-U-1		
OUTPUT	Voltage	V	24	30	36	48		
	Current	A	14	11	9	7		
	Efficiency	%	78	78	78	80		
	Load Regulation max.	mV	1%MAX					
	Hold Up Time	mS	60mS Typ					
	Rise Up Time	mS	500mS/200mS(Input 115V/230VAC)					
	Drift	mV	(Output V X 0.5%)+15mV/8H (After 1 H)					
	Ripple and Noise(max.)	mVp	(Output V x 1%)+100mVp-p MAX(1)					
	Temperature Coefficient	-	0.03% / °C(-5~50°C)					
MODEL/CHANNEL		Unit						
INPUT	Full Load	mA	6.5A/3.5A(Input 115VAC/230VAC)					
	Inrush Current	Vac	12A/24A MAX(Input115VAC/230VAC)					
	Input Voltage	Vac	± 10%, (+10,-20%)(FHF3.3SX only)					
	Voltage Nominal	V	AC115~230V (Wide range)					
	Frequency	Hz	50/60Hz					
	Power Factor and Harmonic	-	85~255VAC					
	Phase	%	Single					
	Input Voltage Range	Vdc	85~264VAC					





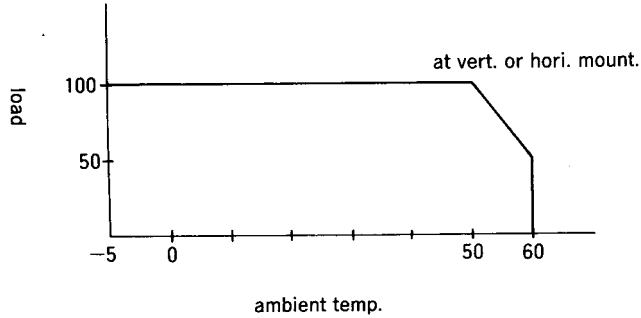
	MODEL/CHANNEL	Unit	
Environment	Operating Temperature	°C	-5 ~+50°C (2)
	Leakage Current	mA	1mAMAX(Input 115VAC/230VAC)
	Operating Humidity	%	(5~10Hz) Amplitude (peak to peak)
	Storage Temperature	°C	10~85%
	Withstanding Voltage	-	130KHz
	Input-Output	-	AC3000V(1Minute)
	Input-Chassis	-	AC2500V
	Output-Chassis	-	AC 500V (1Minute)
	Switching Frequency	-	Possible
	Shock	-	30G (3)
	Remote Control Sensing	-	Possible
	Vibration	-	10mm(constant) (10~55Hz) Acceleraton 2G (3)
Function	Overvoltage Protection	-	Automatic reset
	Overcurrent Protection	-	Output shutdown
	Input Fuse	-	Active filter circuit with booster
	Insulation Resistance	-	(Input-Output-Chassis): 50M MIN.
	Remote Control	-	Output normal by short or L (0~0.4V) Output shutdown by open or H (1~6V) Input current shall be less than 0.1 (A) while
	Remote Sensing	-	Remove attached ± short piece and connect with load by using twist pair wire. While doing above, voltage drop shall be less than 0.3V (one line 0.15V).
Dimension	Size(LxWxH)/Weight	mm/g	120x190x93/1900g(FHF-SX)





Derating Diagram

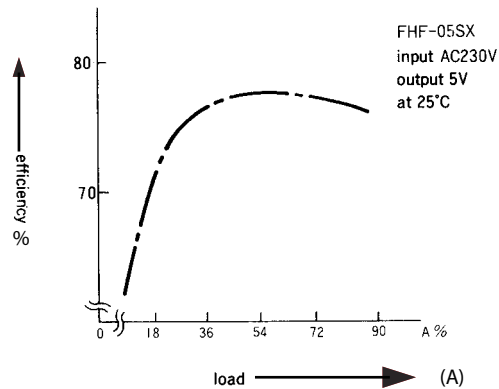
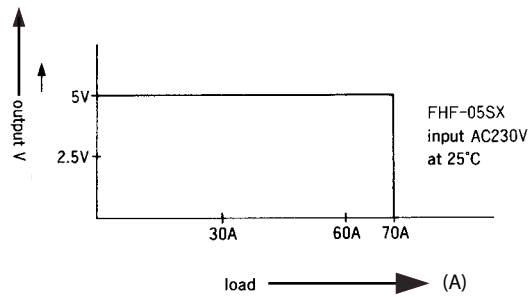
300W



for further information contact safety approvals.

OCP Curves

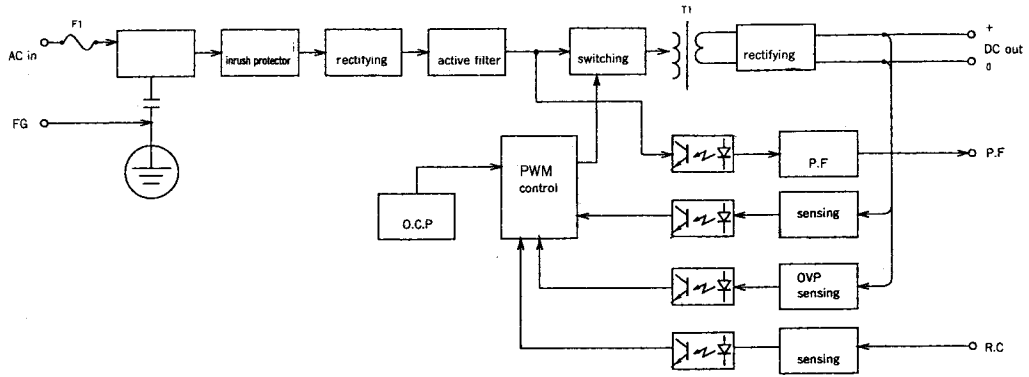
300W





Diagram

300W



X-ON Electronics

Largest Supplier of Electrical and Electronic Components

Click to view similar products for [Switching Power Supplies](#) category:

Click to view products by [ETA](#) manufacturer:

Other Similar products are found below :

[70841011](#) [73-551-0005](#) [73-551-0048](#) [PS3E-B12F](#) [PS3E-E12F](#) [AAD600S-4-OP](#) [R22095](#) [KD0204](#) [9021](#) [LDIN100150](#) [LPM000-BBAR-01](#)
[LPX17S-C](#) [EVS57-10R6/R](#) [FP80](#) [FRV7000G](#) [22929](#) [PS3E-F12F](#) [CQM1IA121](#) [40370121900](#) [VI-PU22-EXX](#) [40370121910](#) [LDIN5075](#)
[LPM615-CHAS](#) [LPX140-C](#) [09-160CFG](#) [70841025](#) [VPX3000-CBL-DC](#) [LPM000-BBAR-05](#) [LPM000-BBAR-08](#) [LPM124-OUTA1-48](#)
[LPM000-BBAR-07](#) [LPM109-OUTA1-10](#) [LPM616-CHAS](#) [08-30466-1055G](#) [08-30466-2175G](#) [08-30466-2125G](#) [DMB-EWG](#) [TVQF-1219-](#)
[18S](#) [6504-226-2101](#) [CQM1IPS01](#) [SP-300-5](#) [CQM1-IPS02](#) [VI-MUL-ES](#) [22829](#) [08-30466-0065G](#) [VI-RU031-EWWX](#) [08-30466-0028G](#) [VI-](#)
[LUL-EU](#) [EP3000AC48INZ](#) [VP-C2104853](#)