



MDA-SX-W-II

24W



FEATURES:

- High Reliability
- 100% BURN-IN Tested
- 100% Hi-Pot tested
- Safety Approvals, EMC compliance
- Interchangeable AC clips
- Meets CEC, ERP, EISA, and Energy Star Level V requirements
- No load power consumption <300mW
- Short circuit, over load, over voltage protection



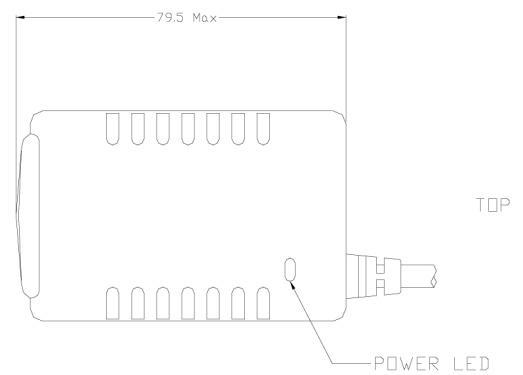
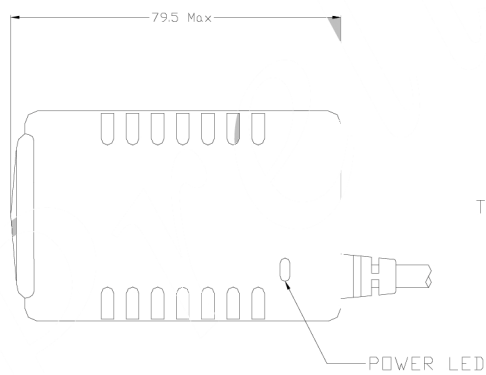
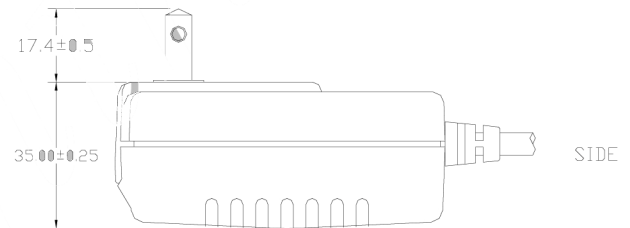
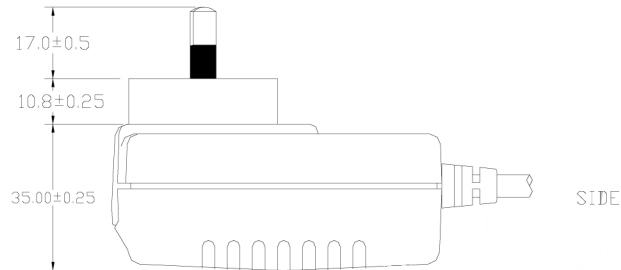
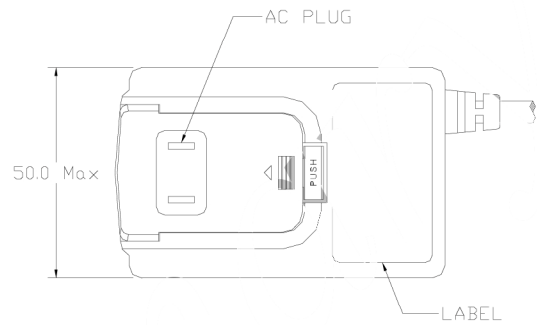
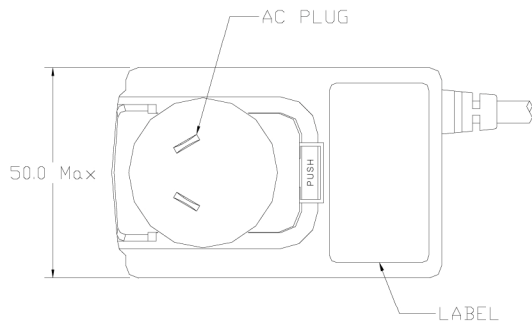
MODEL/CHANNEL		Unit	MDA24-05SX-W-II	MDA24-09SX-W-II	MDA24-12SX-W-II	MDA24-16SX-W-II	MDA24-18SX-W-II	MDA24-24SX-W-II
OUTPUT	Output Voltage	Vdc	5	5	12	16	18	24
	Output Current	A	3	2.66	2	1.5	1.34	1
	Ripple and Noise(max.) *3	mV	50	50	120	160	180	240
MODEL/CHANNEL		Unit	MDA24-36SX-W-II			MDA24-48SX-W-II		
OUTPUT	Output Voltage	Vdc	36			48		
	Output Current	A	0.67			0.5		
	Ripple and Noise(max.) *3	mV	360			480		
	Hold Up Time	mS	>10 mS typical					
	Voltage Adjustments	%	±5% of Rated Output Voltage(at no load within the input range)					
	Voltage Regulations	-	+5%/-3%					
INPUT	Input Voltage	Vac	90~264VAC					
	Input Frequency	Hz	0.7A max. @ 90VAC		47~63Hz		1%	
	Efficiency	%	0.35A max. @ 264VAC					
Protection	Over Current Protection	-	Auto-recover					
	Over Voltage Protection	-	Latch, AC recycle					
	Short Circuit Protection	-	Auto-recover					
Environmental Agencies	Safety Standard	-	UL 60601-1 CSA-C22.2 No.601.1-M90 NEMKO EN60601-1		CB IEC 60601-1			
	EMC Standard	-	FCC Part 18Class B EN55011 Class B		EN 60601-1-2 Class B CE			
Environment	Operating Temperature	-	-20°C to +40°C					
	Storage Temperature	-	-20°C to +85°C					
	Humidity	%	20~90%					
	MTBF demonstrated	-	>150,000 hours at full load and 25°C ambient temperature					
Dimension	Size(WxHxD) / Weight	mm/g	L80.0mmxW50.0xH35.0mm					





Option : Australia Type

Option : American Type





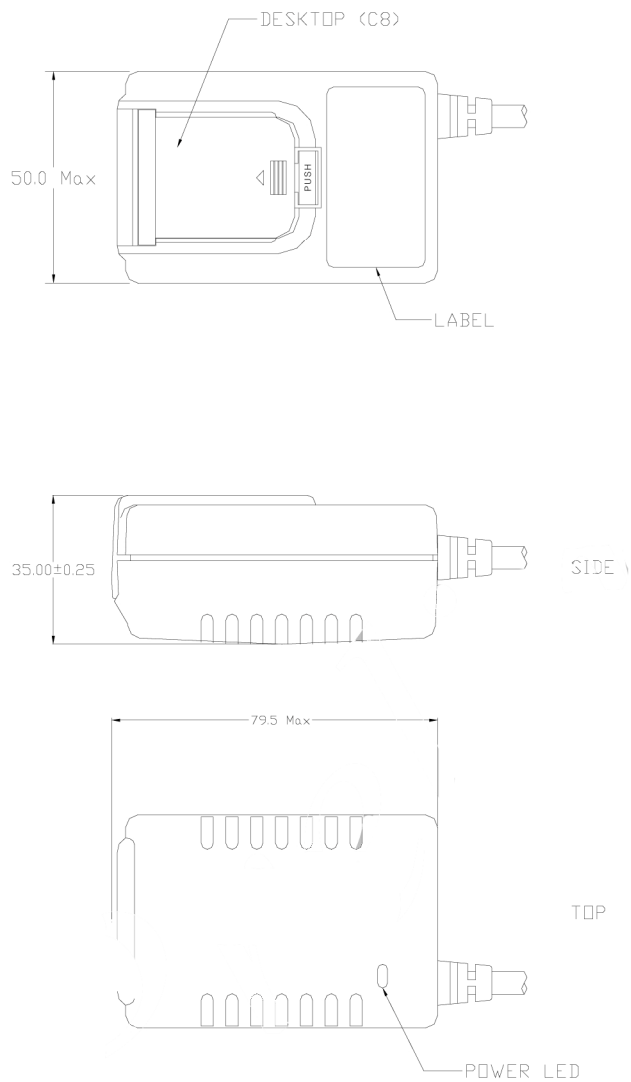
ETA-USA

The Power Professionals

Dimension Diagram (mm)

24W

Option : C8



ETA-USA

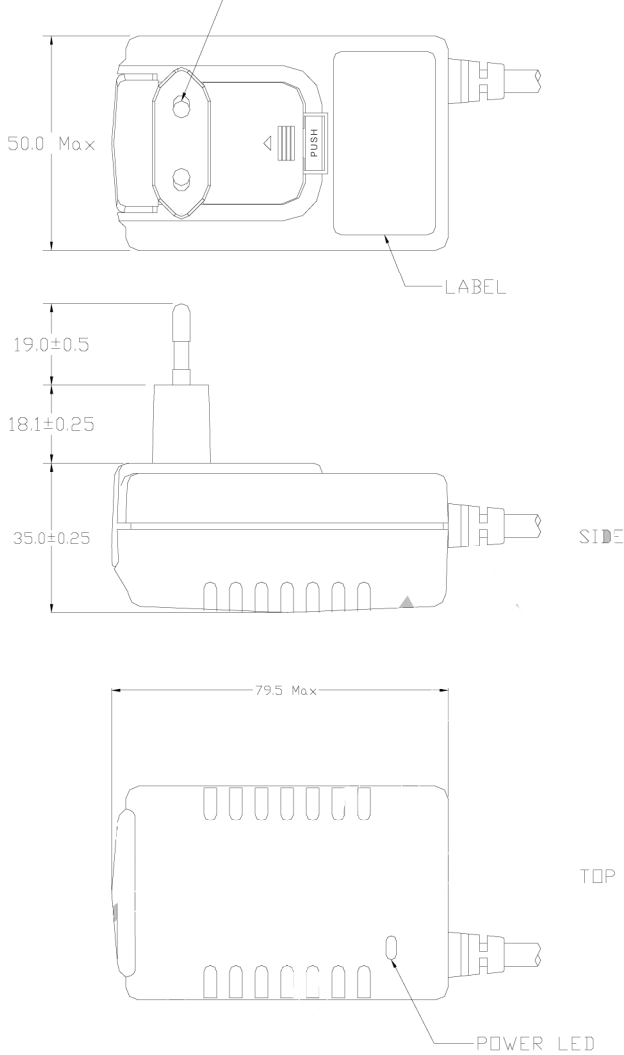
16170 Vineyard Blvd. Suite 180 Morgan Hill, CA 95037 <http://www.eta-usa.com>
Toll-free (US only): 800-ETA-POWR (800-382-7697) Telephone: 408 778-2793 FAX: 408-779-2753



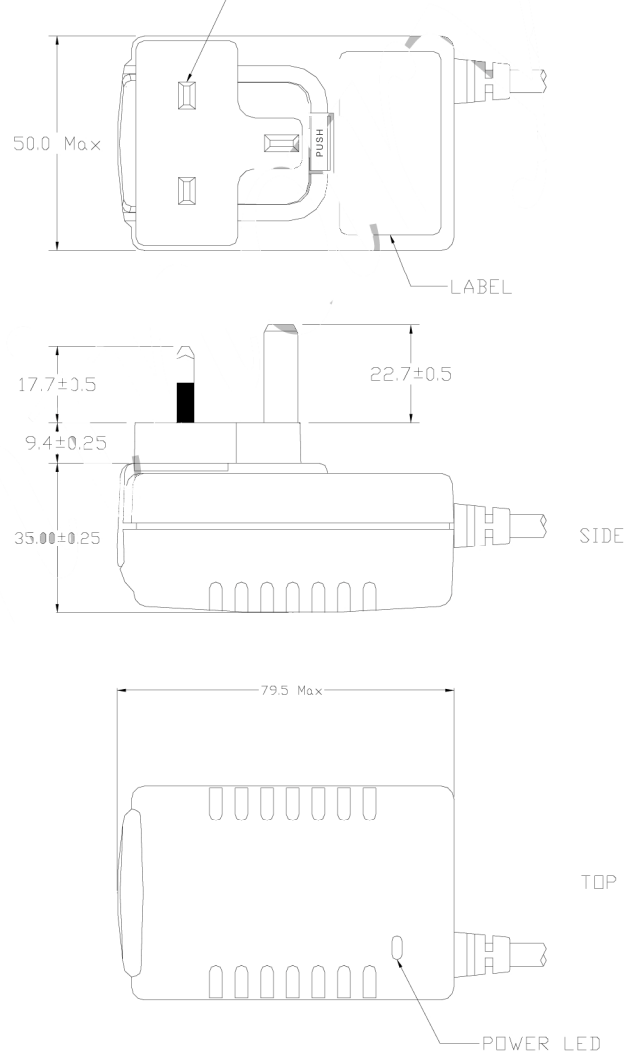
Dimension Diagram (mm)

60W

Option : European Type



Option : UK Type



X-ON Electronics

Largest Supplier of Electrical and Electronic Components

Click to view similar products for [Desktop AC Adapters](#) category:

Click to view products by [ETA](#) manufacturer:

Other Similar products are found below :

[212A2136](#) [ADP485-01](#) [SWA-1202](#) [SWA-1501](#) [212A2220](#) [KR8-PS01](#) [1894875](#) [FWE050024B-10A](#) [820A4080G](#) [825A0057-03](#) [SWA-1704W](#) [AD5012N2LM-\(401\)](#) [TRH21A120-49E03-Level-VI](#) [FWE050012B-10A](#) [AC-DC ADAPTER 90W w/ Cable](#) [FWA065024A-11A](#) [PSA120U-560L6](#) [96PSA-A63W18V1-M](#) [1895235](#) [PW-C0725-W2-B](#) [57-U1](#) [57-U2](#) [SED80N2-16.0](#) [SED80N3-16.0](#) [RFQ43442-01](#) [YS50-1903150](#) [50966124050E](#) [PCM50UT04](#) [PCM50UT05](#) [CPSUNOTAKY-07056](#) [CPSUNOTAKY-07168](#) [CPSUNOTAKY-07169](#) [CPSUNOTAKY-07234](#) [CPSUNOTAKY-07236](#) [CPSUNOTAKY-07288](#) [CPSUNOTAKY-07312](#) [CPSUNOTAKY-07342](#) [CPSUNOTAKY-07387](#) [CPSUNOTAKY-07388](#) [TE30A0503F01](#) [TE30A4803F01](#) [TE40A2403F01](#) [TE40A2403N01](#) [ME30A1803N01](#) [ME30A4803F01](#) [ME40A1203N01](#) [ME40A2403N01](#) [MENT1150A2451F01](#) [125530040F](#) [1255300611](#)