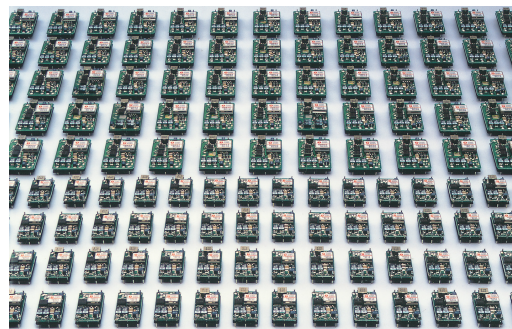




OBS-SC/WC

10W Open Frame



FEATURES:

In response to market demand for “DISTRIBUTED POWER,” ETA has developed a new DC/DC converter suitable for PCB mounting. OB-Series AC/DC Switching Power Supplies are designed and built to be installed right onto the user’s printed circuit board like a piece of “patch-work”. They are small, light in weight and cost effective.

- PCB Mountable
- Small, Light Weight
- High Efficiency
- Cost effective
- Output Voltage adjustable
- Over Voltage Protection
- **Isolated Power Supply**



MODEL/CHANNEL		Unit	OBS05SC	OBS12SC	OBS15SC	OBS24SC	OBS22WC	OBS23WC	
OUTPUT	Output Voltage	Vdc	5	12	15	24	±12	±15	
	Output Current	A	2	0.9	0.7	0.45	0.45	0.35	
	Voltage Tolerance	mV	100	240	300	480	240	300	
	Static Line Regulation max.	mV	25	60	75	120	60	75	
	Static Load Regulation max.	mV	25	60	75	120	±1500	±1500	
	Drift max.	mV	40	75	90	135	75	90	
	Dynamic Line Regulation	mV	100	100	100	200	300	300	
	Dynamic Load Regulation	mV	200	400	300	500	300	300	
	Recovery Time	mS	10mS(typical)						
	Temperature Coefficient	mV	0.03%/°C(maximum)						
Ripple and Noise	mVp	100							
Rise Time	mS	10mS(typical) at rated input/output							

MODEL/CHANNEL		Unit	OBS05 SC12	OBS12 SC12	OBS15 SC12	OBS24 SC12	OBS22 WC12	OBS23 WC12	
INPUT	Input Range Full Load	mA	1042	1097	1040	1046	1097	1041	
	Input Range No Load	mA	32	37	39	42	44	47	
	Efficiency (typical) *2	%	80	82	84	86	82	84	
	Input Voltage	Vac	12						
	Input Voltage Range	Vdc	8-18						
	Line Back Noise	Hz	500						

MODEL/CHANNEL		Unit	OBS05 SC2448		OBS12 SC2448		OBS15 SC2448		OBS24 SC2448		OBS22 WC2448		OBS23 WC2448	
INPUT	Input Voltage	Vac	24	48	24	48	24	48	24	48	24	48	24	48
	Input Range No Load	mA	16	18	14	17	14	17	17	20	18	22	19	23
	Input Range Full Load	mA	520	262	542	274	520	263	523	268	542	277	520	263
	Line Back Noise	Hz	500	300	500	300	500	300	500	300	500	200	500	200
	Efficiency (typical) *2	%	80	79	83	82	86	83	86	84	83	81	84	83
	Input Voltage Range	Vdc	18-72											

MODEL/CHANNEL		Unit	OBS05 SC2448		OBS12 SC2448		OBS15 SC2448		OBS24 SC2448		OBS22 WC2448		OBS23 WC2448	
Protection	Trimming of Output	V	+250	+250	+350	+650								
		V	-250	-900	-1600	-4000								
Overcurrent Protection	A	Foldback/Current Limiting with automatic recovery at discontinuous short circuit conditions												



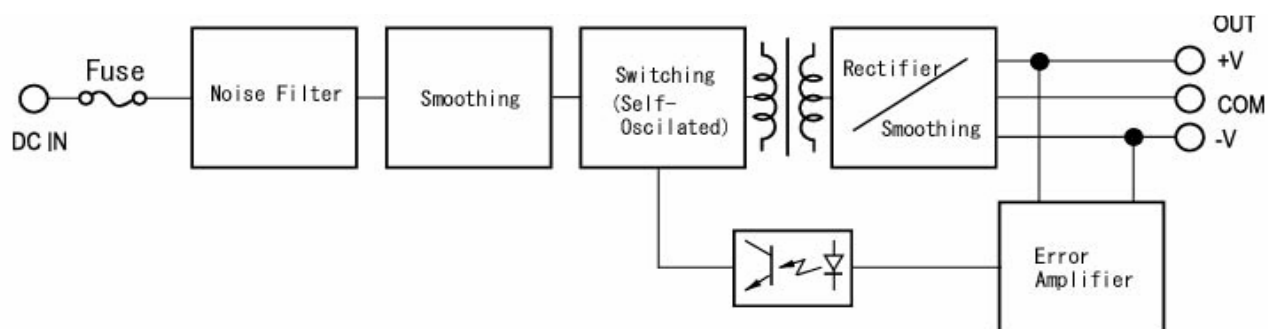


ETA-USA

The Power Professionals

	MODEL/CHANNEL	Unit	
Environment	Derating	-	3.5%/°C (50°C to 71°C) (out of warranty \geq 71°C)
	Operating Temperature	°C	-20 to 71°C
	Operating Humidity	%	20-90%/RH(non-condensing)
	Shock	-	294m/s ²
	Cooling	-	Convection
	Input Fuse	-	Installed
	Storage Temperature	°C	-20 to +85°C
	Storage Humidity	%	20 to 90%/RH(non-condensing)
	Withstanding Voltage	-	Primary-Secondary AC500V for 1 minute
	Isolation Resistance	-	Primary-Secondary 50MΩ(minimum) by DC500V insulation tester
	Capacitance	-	4400
	Vibration	-	5-10Hz: 10mm double amplitude, 10-55Hz: 19.6m/s ² , 20 minutes period for 60 minutes each along X,Y,Z axes(non-operating)
Dimension	Size(WxHxD) / Weight	mm/g	39.1Wx46Lx16.5H open board type/14g

Model Diagram

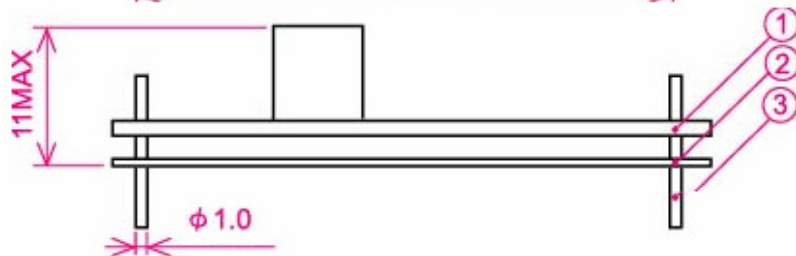
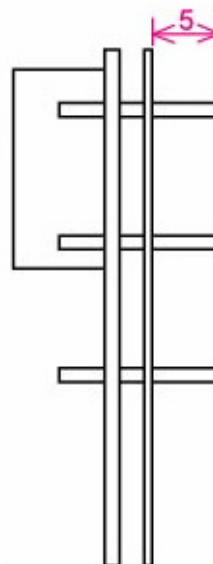
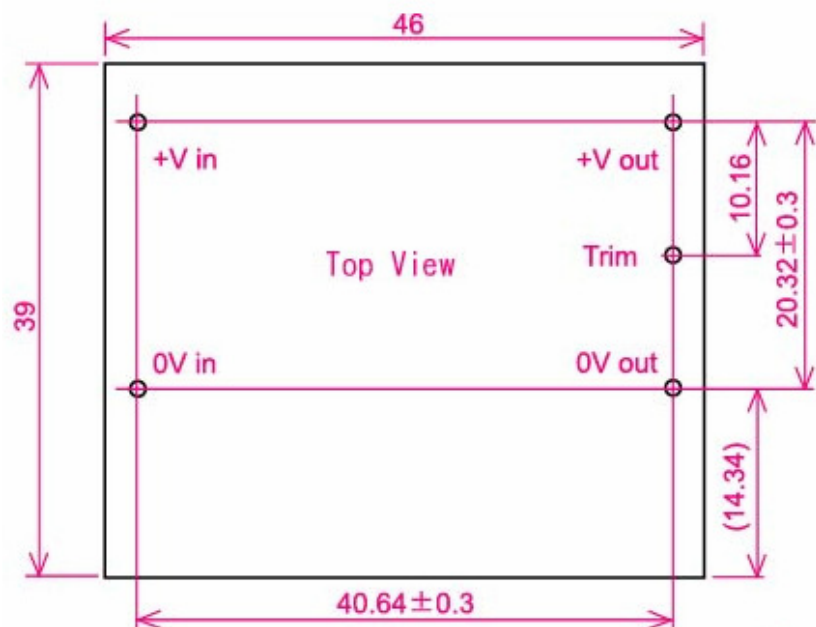


ETA-USA

16170 Vineyard Blvd. Suite 180 Morgan Hill, CA 95037 <http://www.eta-usa.com>
Toll-free (US only): 800-ETA-POWR (800-382-7697) Telephone: 408 778-2793 FAX: 408-779-2753



Dimension Diagram (mm) 10W Open Frame

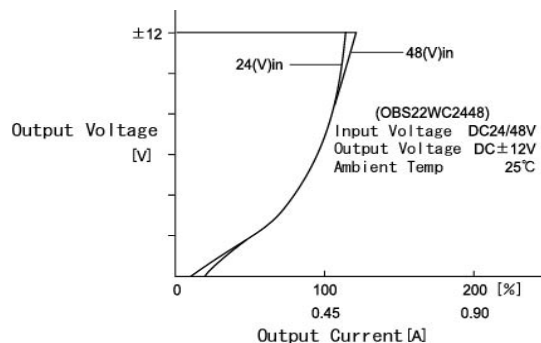


- ① Double-sided PCB FR4t=1.0
 - ② t=0.5 Insulator V0
 - ③ 1.0DIA PIN Material:BsB 2700 1/2H
Copper Plating 1~3 μm
Solder Plating 3~6 μm
- * Tolerance ±0.5

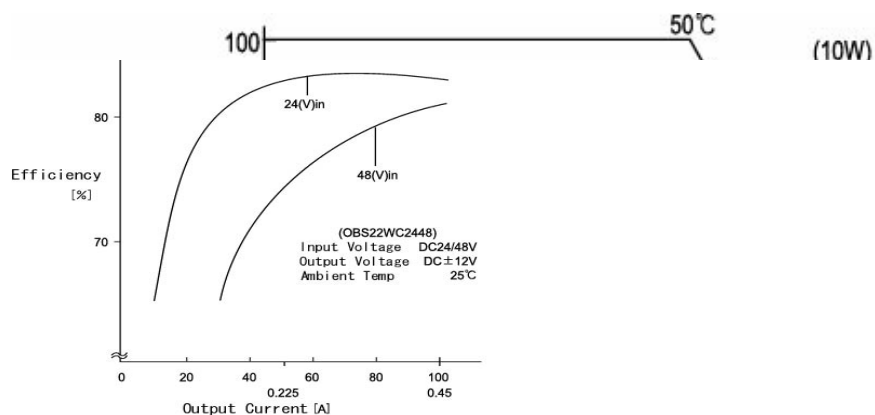




OCP Curve 10W Open Frame



Derating Curve 10W Open Frame



Efficiency \geq DC63V input

Curve OBS22WC2448

Efficiency Curve OBS22WC2448



X-ON Electronics

Largest Supplier of Electrical and Electronic Components

Click to view similar products for [Isolated DC/DC Converters](#) category:

Click to view products by [ETA](#) manufacturer:

Other Similar products are found below :

[ESM6D044440C05AAQ](#) [FMD15.24G](#) [PSL486-7LR](#) [Q48T30020-NBB0](#) [JAHW100Y1](#) [SPB05C-12](#) [SQ24S15033-PS0S](#) [19-130041](#) [CE-1003](#)
[CE-1004](#) [GQ2541-7R](#) [RDS180245](#) [MAU228](#) [J80-0041NL](#) [DFC15U48D15](#) [XGS-0512](#) [XGS-1205](#) [XGS-1212](#) [XGS-2412](#) [XGS-2415](#) [XKS-](#)
[1215](#) [06322](#) [NCT1000N040R050B](#) [SPB05B-15](#) [SPB05C-15](#) [L-DA20](#) [DCG40-5G](#) [QME48T40033-PGB0](#) [XKS-2415](#) [XKS-2412](#) [XKS-2405](#)
[XKS-1212](#) [XKS-1205](#) [XKS-0515](#) [XKS-0505](#) [XGS-2405](#) [XGS-1215](#) [XGS-0515](#) [PS9Z-6RM4](#) [73-551-5038I](#) [AK1601-9RT](#) [VI-R5022-](#)
[EXWW](#) [PSC128-7iR](#) [RPS8-350ATX-XE](#) [DAS1004812](#) [VI-LJ11-iz](#) [PQA30-D24-S24-DH](#) [VI-M5F-CQ](#) [VI-LN2-EW](#) [VI-PJW01-CZY](#)