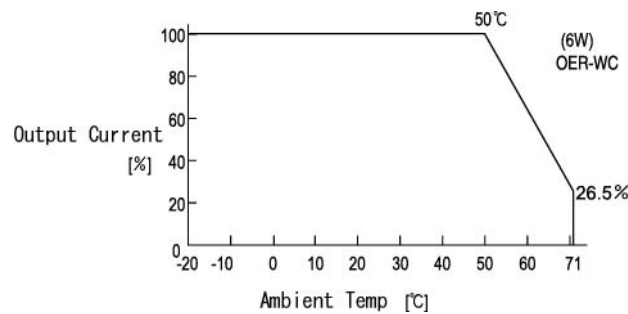


# 10 WATT DC-DC CONVERTER

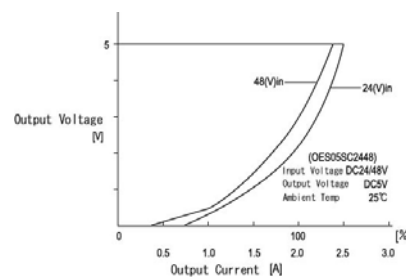
**OES- SC / WC 2448  
SINGLE/ DUAL CHANNEL**

Specifications OES**SC/WC2448 10WATTS/SINGLE/2 OUTPUT	Model											
	OES05SC2448	OES12SC2448	OES15SC2448	OES24SC2448	OES22WC2448	OES23WC2448						
<b>Input Characteristic</b>												
Input Voltage DC[V]	24	48	24	48	24	48	24	48	24	48	24	48
Input Range DC[V]	18-72											
Inrush Current [A]	Not specified											
Input Range												
at no load [mA](typical)	22	20	26	25	25	24	26	24	28	27	26	23
at full load[mA](typical)	508	257	542	271	514	257	523	261	542	271	515	260
Line Back Noise [mVp-p](typical)	300	200	300	200	300	200	300	200	300	200	300	200
Efficiency [%] (typical) *1	82	81	83	83	85	85	86	86	83	83	85	84

## Derating Curve

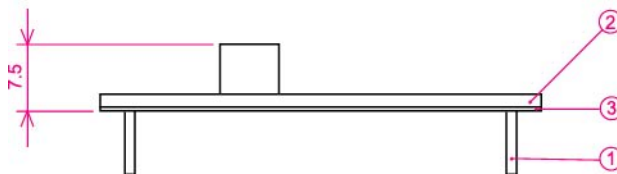
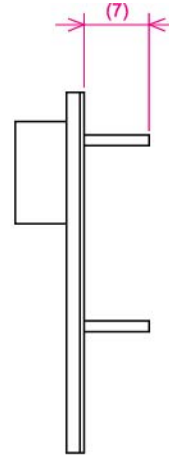
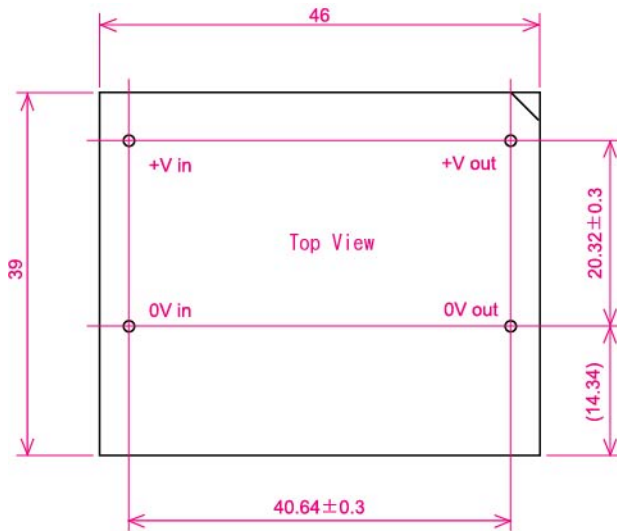


## OCP Curve



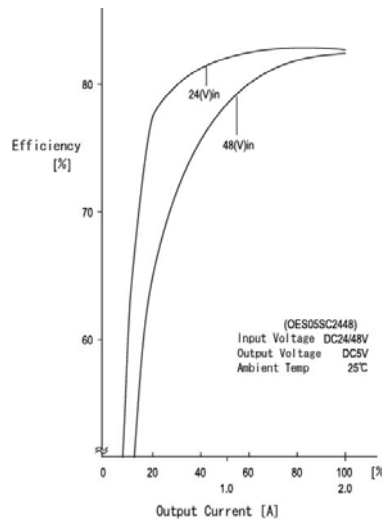
Specifications OES**SC/WC2448 10WATTS/SINGLE/2 OUTPUT	Model							
	OES05SC2448	OES12SC2448	OES15SC2448	OES24SC2448	OES22WC2448		OES23WC2448	
Output Voltage [V]	5	12	15	24	+12	-12	+15	-15
Output Current [A]	2	0.9	0.7	0.45	0.45	0.45	0.35	0.35
Voltage Tolerance +/-[mV](maximum) *2	100	240	300	480	240		300	
Ripple and Noise [mVp-p](maximum) *3	100							
Regulation								
a.Static Line Regulation [mV](maximum)	25	60	75	120	60		75	
b.Dynamic Line Regulation +/-[mV](maximum) *4	200	360	450	750	+360	-360	+450	-450
c.Static Load Regulation +/-[mV](maximum) *5	25	60	75	120	60		75	
+/-[mV](maximum) *6					+1200	-1200	+1500	-1500
+/-[mV](maximum) *7								
d.Temperature Coefficient *8	0.03% °C (MAXIMUM)							
e.Drift[mV](maximum) *9	45	75	90	135	75		90	
f.Dynamic Load Regulation +/- [mV](maximum) *10	200	360	450	750	+720	-720	+900	-900
g.Recovery Time *4,*10	10mS(typical)							
Rise up time	10ms(maximum) at rated input/output							
Hold up time	Not specified							
<b>Functions</b>								
Overcurrent Protection	Current Limiting with automatic recovery							
>=110% of Rated Output Current	2.2	0.99	0.77	0.495	0.495	0.495	0.385	0.385
Overvoltage Protection	Not available							
Remote Sence	Not available							
Trimming of output voltage[mV]	Not available							
Input Fuse	Installed							
<b>Environmental</b>								
Operating Temperature								
(derating)	3.5% °C (50°C to 71°C) ( out of warranty> 71°C)							
Operating Humidity	20-90%/RH(non-condensing)							
Storage Temperature	-20 to +85°C							
Storage Humidity	20 to 90%/RH(non-condensing)							
Withstanding Voltage	Primary-Secondary AC500V for 1minute							
Isolation Resistance	Primary-Secondary 50MΩ(minimum) by DC500V insulation tester							
Capacitance(input-output) [pF](typical)	2200							
Vibration	5-10Hz:10mm double amplitude,10-55Hz:2G,20minutes' period for 60minutes each along X,Y,Z axes(non-operating)							
Shock	30G							
Cooling	Convection							
Weight (typical)	open board type:14g							

## Dimension Diagram



- ① 1.0DIA PIN Material:BsB 2700 1/2H  
Copper Plating 1~3 $\mu$ m  
Solder Plating 3~8 $\mu$ m
  - ② Double-sided PCB FR4t=1.0
  - ③ t=0.5 Insulator V0
- \* Tolerance  $\pm 0.5$

## Efficiency Curve



## X-ON Electronics

Largest Supplier of Electrical and Electronic Components

*Click to view similar products for [Isolated DC/DC Converters](#) category:*

*Click to view products by [ETA](#) manufacturer:*

Other Similar products are found below :

[ESM6D044440C05AAQ](#) [FMD15.24G](#) [PSL486-7LR](#) [Q48T30020-NBB0](#) [JAHW100Y1](#) [SPB05C-12](#) [SQ24S15033-PS0S](#) [19-130041](#) [CE-1003](#)  
[CE-1004](#) [GQ2541-7R](#) [RDS180245](#) [MAU228](#) [J80-0041NL](#) [DFC15U48D15](#) [XGS-0512](#) [XGS-1205](#) [XGS-1212](#) [XGS-2412](#) [XGS-2415](#) [XKS-](#)  
[1215](#) [06322](#) [NCT1000N040R050B](#) [SPB05B-15](#) [SPB05C-15](#) [L-DA20](#) [DCG40-5G](#) [QME48T40033-PGB0](#) [XKS-2415](#) [XKS-2412](#) [XKS-2405](#)  
[XKS-1212](#) [XKS-1205](#) [XKS-0515](#) [XKS-0505](#) [XGS-2405](#) [XGS-1215](#) [XGS-0515](#) [PS9Z-6RM4](#) [73-551-5038I](#) [AK1601-9RT](#) [VI-R5022-](#)  
[EXWW](#) [PSC128-7iR](#) [RPS8-350ATX-XE](#) [DAS1004812](#) [VI-LJ11-iz](#) [PQA30-D24-S24-DH](#) [VI-M5F-CQ](#) [VI-LN2-EW](#) [VI-PJW01-CZY](#)