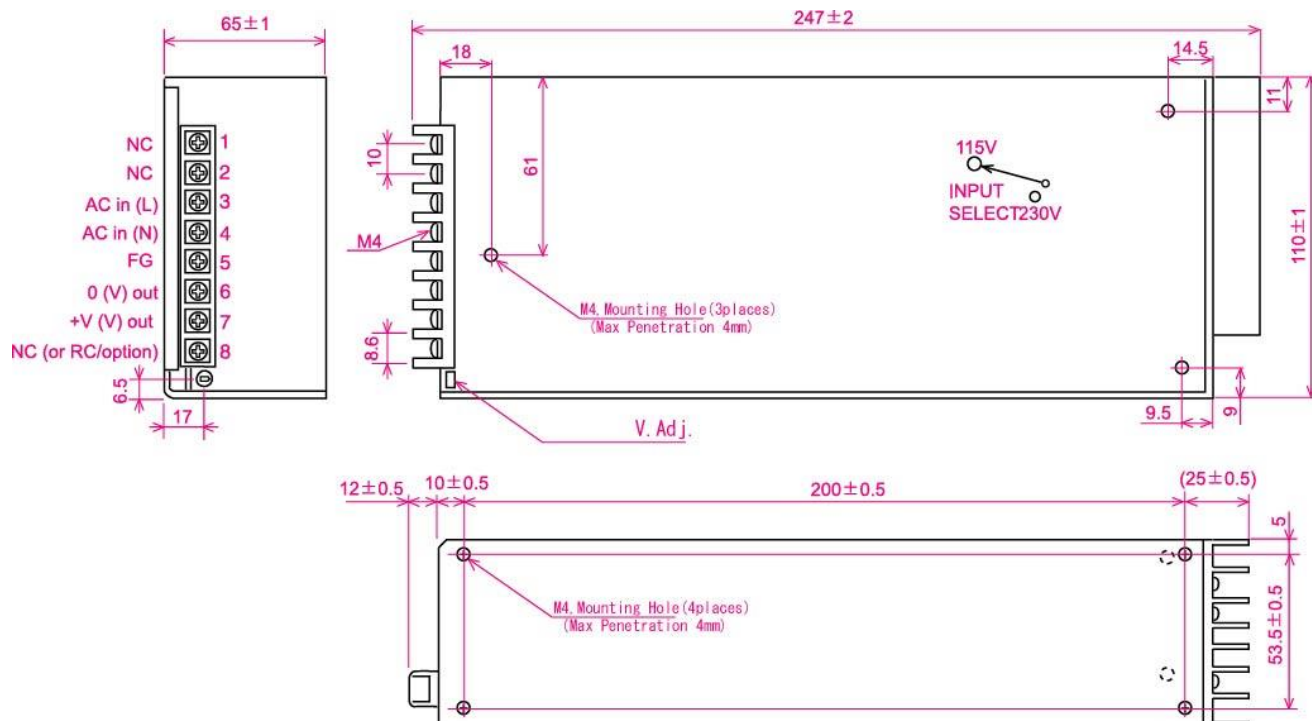


240 WATT AC-DC CONVERTER PLEY-HSZ SERIES

| Specifications<AC/DC> | Model | | |
|---|--|-------------|-------------|
| PLEY**HSZ-U 240WATTS(Peak 300-360W)/SINGLE | PLEY12HSZ-U | PLEY24HSZ-U | PLEY36HSZ-U |
| Input Characteristic | | | |
| Input Voltage | AC115/230V(by selector) | | |
| Input Current | 5.5A at AC115V/2.8A at AC230V | | |
| Input Range | AC85-132V/170-264V | | |
| Input Frequency | 50/60Hz | | |
| Input Frequency Range | 47-440Hz | | |
| Phase | Single | | |
| Inrush Current *1 | 17.5A(maximum)at AC115V/35A(maximum) at AC230V | | |
| Efficiency [%] (typical) *2 | 83/85 | 86/88 | 87/88 |

Dimension (mm)



PLE**HSZ Specification

| Specifications<AC/DC> | Model | | |
|--|---|-----------------|----------------|
| | PLEY**HSZ-U 240WATTS(Peak 300-360W)/SINGLE | PLEY12HSZ-U | PLEY24HSZ-U |
| Output Characteristic | | | |
| Output Voltage [V] | 12 | 24 | 36 |
| Output Current [A] | 18.0(Peak 25.0) | 10.0(Peak 15.0) | 6.8(Peak 10.0) |
| Voltage Adjust Range | +/- 10% of Rated Output Voltage(at no load within the input range) | | |
| Ripple and Noise [mVp-p](maximum) *3 | 220 | 340 | 460 |
| Regulation | | | |
| Statistic Line Regulation [mV](maximum) | 96 | 192 | 288 |
| Statistic Load Regulation [mV](maximum) | 108 | 216 | 324 |
| Temperature Coefficient *4 | 0.03%/? | | |
| Drift[mV](maximum) *5 | 75 | 135 | 195 |
| Dynamic Load Regulation [mV](typical) *6 | 360 | 720 | 1080 |
| Recovery Time *6 | 0.5mS(typical) | | |
| Rise up time | 500mS(maximum) at 25 | | |
| Hold up time | 20mS(minimum) at 25? and rated input/output | | |
| Functions | | | |
| Overcurrent Protection [A](minimum) | Current Limiting with automatic recovery | | |
| | 25.15 | 16.2 | 10.5 |
| Overvoltage Protection 110% of Rated Output Voltage[V] | Output shutdown(to reset,leave 1minute after shut-off) | | |
| | 13.2 | 26.4 | 39.6 |
| Remote Sense | not available | | |
| Remote On/Off | option | | |
| Environmental | | | |
| Operating Temperature *7 | 0 to +50 /enclosed type: -5 to +40 | | |
| Operating Humidity | 30 to 85%RH(non-condensing) | | |
| Storage Temperature | -20 to +85 Celsius | | |
| Storage Humidity | 10 to 85%RH(non-condensing) | | |
| Withstanding Voltage | Primary-Secondary AC3,000V for 1minute | | |
| | Primary-Frame Ground AC3,000V for 1minute | | |
| | Secondary-Frame Ground AC500V for 1minute | | |
| Isolation Resistance | <small>Primary-Secondary Frame Ground 500VDC minimum by IEC60950 standard test</small> | | |
| Vibration | 5-10Hz:10mm double amplitude,10-55Hz:19.6m/s ² ,20minutes' period for 60minutes each along X,Y,Z axes(non-operating) | | |
| Shock | 294m/s ² | | |
| Cooling | Convection | | |
| Leakage Current | 1mA(maximum) at 25 ,rated input/output and rated input frequency | | |
| Line Conducted Noise | Built to meet VDE0871 Class A | | |
| | Built to meet FCC Part15-B Class A | | |
| Safety | UL: UL1950 | | |
| | CUL: CSA C22.2 No950 | | |
| | VDE: EN60950,IEC950,VDE0805 | | |
| Weight (typical) | 1,130g/enclosed type:1,260g | | |
| MTBF [H] | 480,000 | | |
| Switching Frequency[kHz](typical) | 90 | | |

Conditions:

*1 at cold start

*2 at AC115/20V and at 25 Celsius

*3 measured by a bayonet probe at output connector at 0 to 100MHz bandwidth

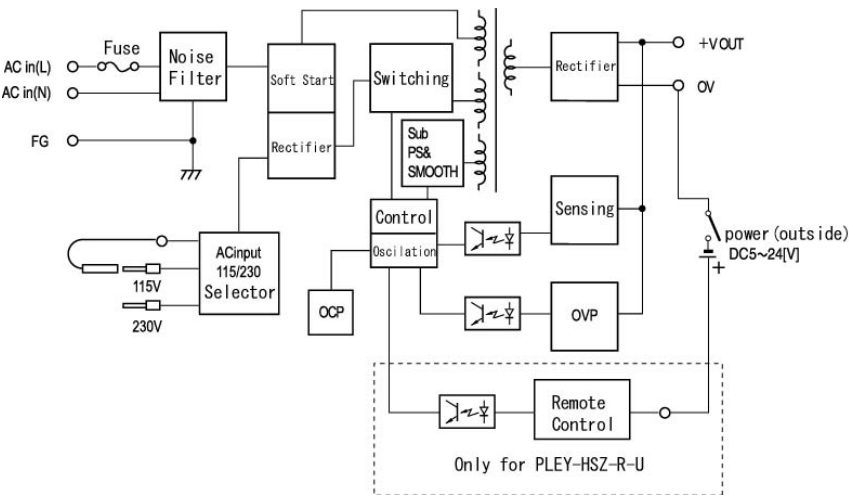
*4 at 0 to +50 Celsius

*5 for 7hour period after 1hour warm-up at 25 Celsius and rated input/output

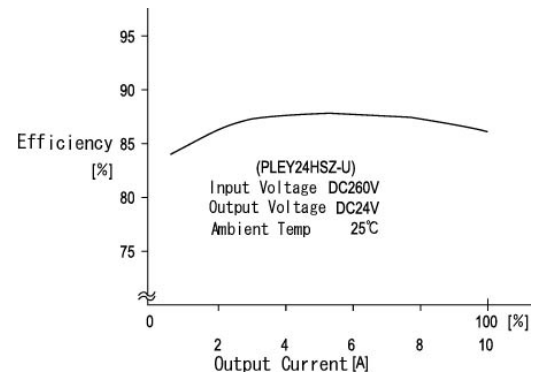
*6 when output current changed from 25% and 75% of rated output current rapidly at AC115/230V input

*7 safety approved at 25 Celsius

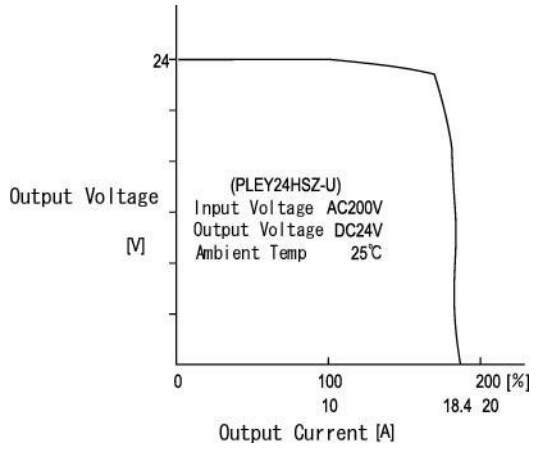
Block Diagram



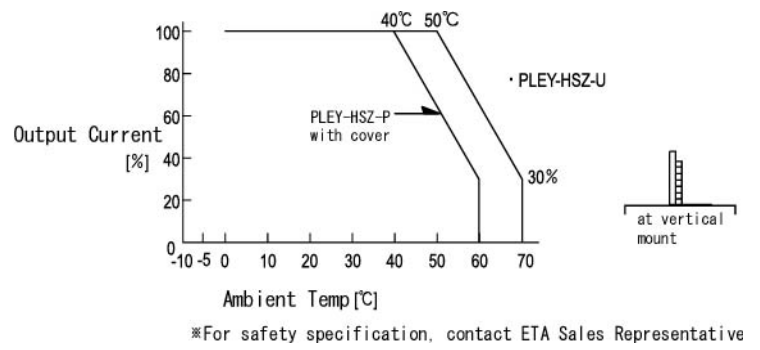
Efficiency Curve



OCP Curve



Derating Curve



X-ON Electronics

Largest Supplier of Electrical and Electronic Components

Click to view similar products for [Switching Power Supplies](#) category:

Click to view products by [ETA](#) manufacturer:

Other Similar products are found below :

[70841011](#) [73-551-0005](#) [73-551-0048](#) [PS3E-B12F](#) [PS3E-E12F](#) [AAD600S-4-OP](#) [R22095](#) [KD0204](#) [9021](#) [LDIN100150](#) [LPM000-BBAR-01](#)
[LPX17S-C](#) [EVS57-10R6/R](#) [FP80](#) [FRV7000G](#) [22929](#) [PS3E-F12F](#) [CQM1IA121](#) [40370121900](#) [VI-PU22-EXX](#) [40370121910](#) [LDIN5075](#)
[LPM615-CHAS](#) [LPX140-C](#) [09-160CFG](#) [70841025](#) [VPX3000-CBL-DC](#) [LPM000-BBAR-05](#) [LPM000-BBAR-08](#) [LPM124-OUTA1-48](#)
[LPM000-BBAR-07](#) [LPM109-OUTA1-10](#) [LPM616-CHAS](#) [08-30466-1055G](#) [08-30466-2175G](#) [08-30466-2125G](#) [DMB-EWG](#) [TVQF-1219-](#)
[18S](#) [6504-226-2101](#) [CQM1IPS01](#) [SP-300-5](#) [CQM1-IPS02](#) [VI-MUL-ES](#) [22829](#) [08-30466-0065G](#) [VI-RU031-EWWX](#) [08-30466-0028G](#) [VI-](#)
[LUL-EU](#) [EP3000AC48INZ](#) [VP-C2104853](#)