



## VTA-C/D

## 25W



### FEATURES

- Variety of Models
- Chassis mount type
- Compact and High Efficiency
- Triple Output
- **Isolated Power Supply**

MODEL/CHANNEL		Unit	VTA01-C/D			VTA01-CB/DB			VTA03-C/D			VTA04-C/D			
OUTPUT (Double)	Output Current	Vdc	5	+12	-12	+12	+5	-12	+5	+12	-5	+5	+15	-15	
	Output Current 25W (24, 48V)	A	2.8	0.5	0.4	1.5	0.7	0.25	2.8	0.5	0.5	2.8	0.36	0.36	
	Output Current 30W (24, 48V)	A	3	0.75	0.5	1.7	0.8	0.3	3	0.75	0.75	3	0.5	0.5	
	Line Regulation (12, 24, 110V)	mV	40	96	96	96	40	96	40	96	40	40	120	120	
	Line Regulation (48V)	mV	35	84	84	84	35	84	35	84	35	35	105	105	
	Load Regulation	mVp	50	120	120	120	50	120	50	120	50	50	150	150	
	Ripple and Noise	mVp	100	170	170	170	100	170	100	170	100	100	200	200	
	Drift	mV	40	75	75	75	40	75	40	75	40	40	90	90	
	Dynamic Load Regulation	mV	150	360	360	360	150	360	150	360	150	150	450	450	
	Voltage Adjustment Range	-	V1: +/-5%(maximum) of Rated Output Voltage at 25°C, rated input and no load V2, V3: fixed with tolerance +/-3.5% of Rated Output Voltage at 25°C, rated input and no load												
	Rise Up Time	mS	200mS(maximum) at 25°C and rated input/output												
	Temp. Coefficient	°C	0.03%/°C												
	Recovery Time	mS	0.5mS(typical)												
Hold Up Time	mS	Not specified (Vin=110 10mS(maximum) at 25°C and rated input/output)													
MODEL/CHANNEL		Unit	VTA01C12			VTA01C12B			VTA03-12			VTA04B-12			
INPUT	Input Voltage 12V	Vdc	DC 12V												
	Input Voltage Range	Vdc	DC 9.2V-16V												
	Efficiency	%	75			77			73			75			
	MTBF	H	520,000												
	Switching Frequency	-	40 Fix												





## VTA-C/D

## 25W

MODEL/CHANNEL	Unit	VTA01C24	VTA01C24B	VTA03C24	VTA04C24
Input Voltage <b>24V</b>	Vdc	DC 24V			
Input Voltage Range	Vdc	DC 19-32V			
Efficiency	%	75			
MTBF	H	520,000			
Switching Frequency	-	40 Fix			

MODEL/CHANNEL	Unit	VTA01C48	VTA01C48B	VTA03C48	VTA04C48
Input Voltage <b>48V</b>	Vdc	DC 48V			
Input Voltage Range	Vdc	DC 38-63V			
Efficiency	%	72	77	74	75
MTBF	H	520,000			
Switching Frequency	-	37 Fix			

MODEL/CHANNEL	Unit	VTA01D	VTA01DB	VTA03D	VTA04D
Input Voltage <b>110V</b>	Vdc	DC 110V			
Input Voltage Range	Vdc	DC 85-140V			
Input Current	A	20A(maximum)			
Efficiency	%	75	73	77	75
MTBF	H	500,000			
Switching Frequency	-	43 Fix			

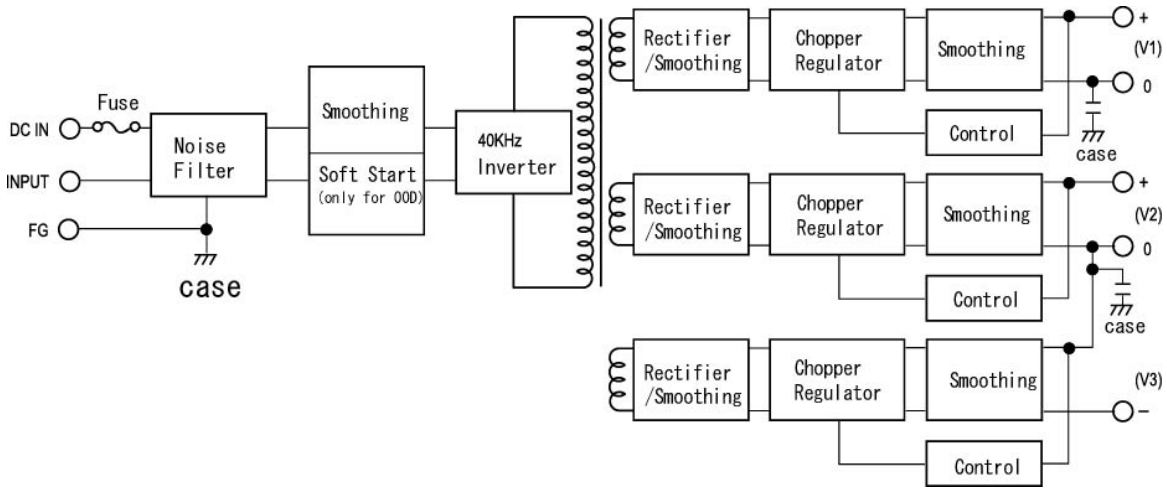
MODEL/CHANNEL	Unit				
---------------	------	--	--	--	--

<b>Environment</b>	Operating Temperature	°C	0 to +50°C			
	Operating Humidity	%	85%RH(non-condensing)			
	Storage Temperature	°C	-20 to +85°C			
	Withstand Voltage	%	Primary-Secondary AC1,500Vfor 1minute (Vin=110 2000) Primary-Frame Ground AC1,500V for 1minute (Vin=110 2000) Secondary-Frame Ground AC500V for 1minute			
	Isolation Resistance	-	Primary-Secondary-Frame Ground 50MΩ(minimum) by DC500V insulation tester			
	Shock	-	294m/s <sup>2</sup>			
	Cooling	-	Convection			
	Vibration	-	5-10Hz: 10mm double amplitude,10-55Hz: 19.6m/s <sup>2</sup> , 20 minutes period for 60 minutes each along X, Y, Z axes(non-operating)			
<b>Protection</b>	Over Current Protection	A	Current Limiting with automatic recovery			
	Over Voltage Protection	-	zener diode clamping			
	Reverse Voltage Protection	-	by internal fuse (Vin=110 by internal bridge diode)			
<b>Dimension</b>	Size(WxHxD) / Weight	mm/g	85Wx135Lx31H/390g			

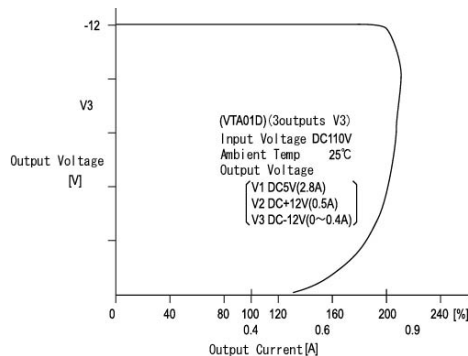
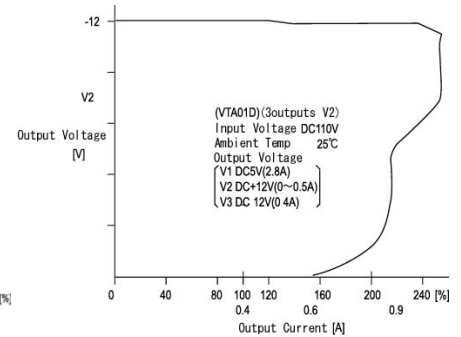
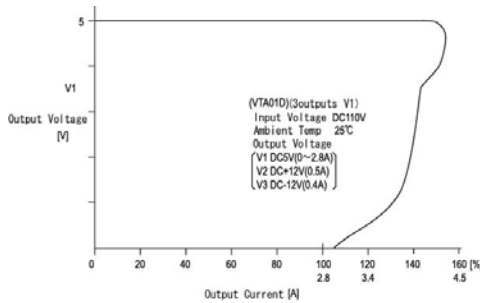
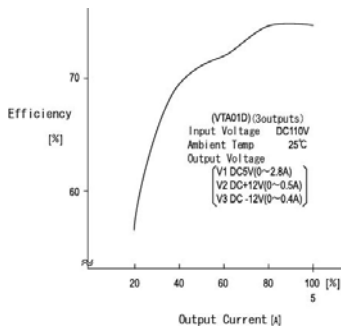




## Block Diagram



## OCP Curve



## X-ON Electronics

Largest Supplier of Electrical and Electronic Components

*Click to view similar products for [Isolated DC/DC Converters](#) category:*

*Click to view products by [ETA](#) manufacturer:*

Other Similar products are found below :

[ESM6D044440C05AAQ](#) [FMD15.24G](#) [PSL486-7LR](#) [Q48T30020-NBB0](#) [JAHW100Y1](#) [SPB05C-12](#) [SQ24S15033-PS0S](#) [19-130041](#) [CE-1003](#)  
[CE-1004](#) [GQ2541-7R](#) [RDS180245](#) [MAU228](#) [J80-0041NL](#) [DFC15U48D15](#) [XGS-0512](#) [XGS-1205](#) [XGS-1212](#) [XGS-2412](#) [XGS-2415](#) [XKS-](#)  
[1215](#) [06322](#) [NCT1000N040R050B](#) [SPB05B-15](#) [SPB05C-15](#) [L-DA20](#) [DCG40-5G](#) [QME48T40033-PGB0](#) [XKS-2415](#) [XKS-2412](#) [XKS-2405](#)  
[XKS-1212](#) [XKS-1205](#) [XKS-0515](#) [XKS-0505](#) [XGS-2405](#) [XGS-1215](#) [XGS-0515](#) [PS9Z-6RM4](#) [73-551-5038I](#) [AK1601-9RT](#) [VI-R5022-](#)  
[EXWW](#) [PSC128-7iR](#) [RPS8-350ATX-XE](#) [DAS1004812](#) [VI-LJ11-iz](#) [PQA30-D24-S24-DH](#) [VI-M5F-CQ](#) [VI-LN2-EW](#) [VI-PJW01-CZY](#)