



## VTB-SC-O

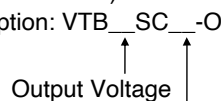
## 50W



### FEATURES

- 12VDC Nom(DC9~18V)
- 24VDC Nom(DC19~36V)
- 48VDC Nom(DC38~63V)
- 110VDC Nom(DC85~160V)

PART No. Description: VTB\_\_SC\_\_-O



2 Year Warranty

Input Voltage (nominal)

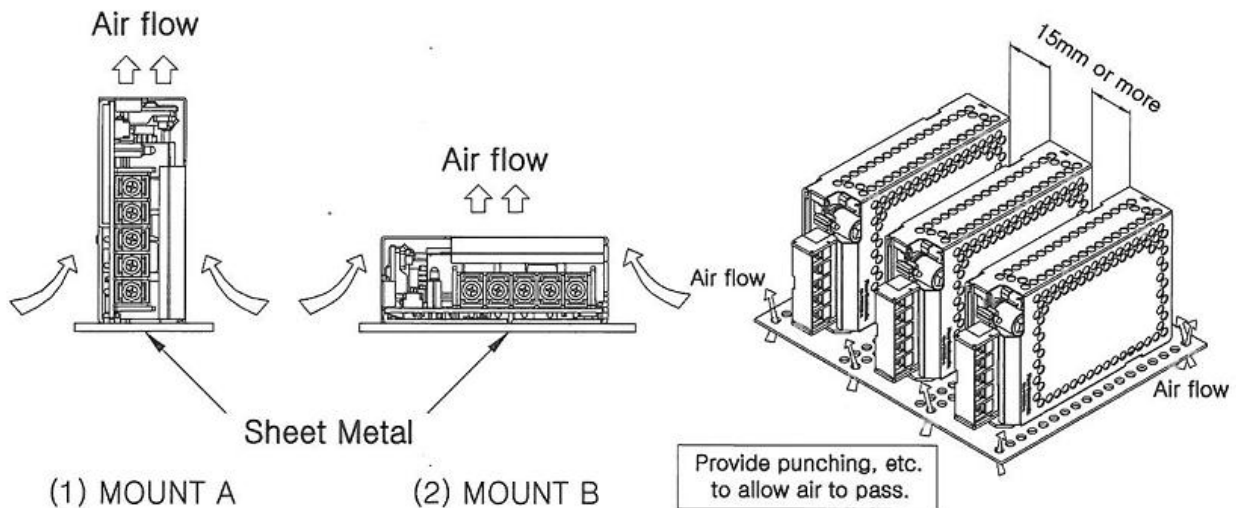
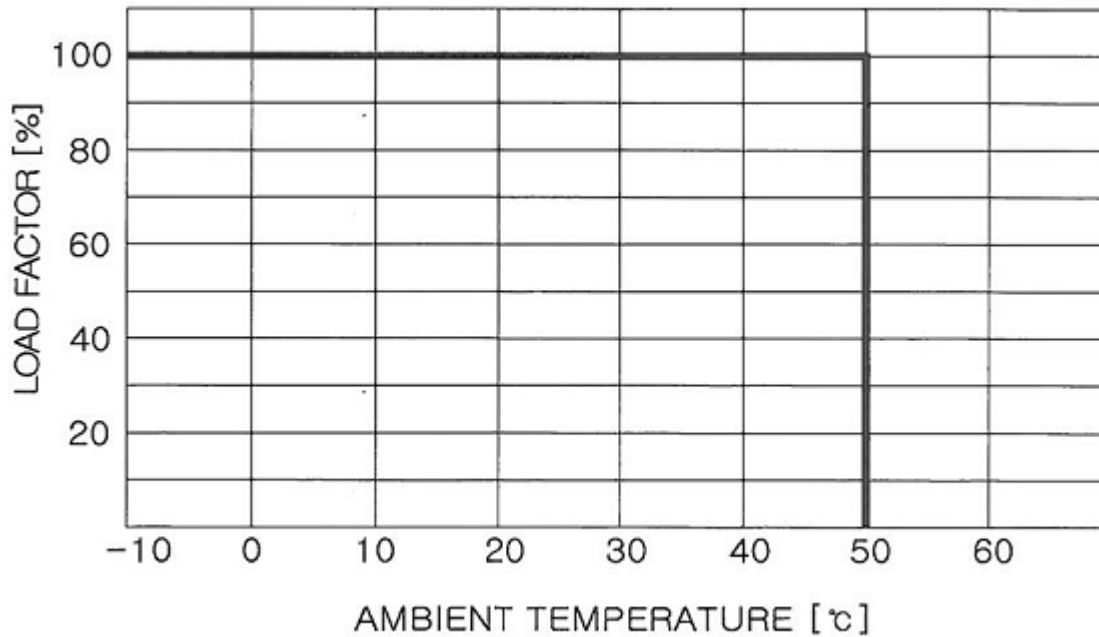
MODEL/CHANNEL		Unit	VTB05-SC-O	VTB12-SC-O	VTB15-SC-O	VTB24-SC-O	
<b>OUTPUT (Single)</b>	Output Voltage	Vdc	5	12	15	24	
	Output Current	A	10	4.2	3.4	2.5	
	Voltage Range	Vdc	4.95~5.05	11.88~12.12	14.85~15.15	23.76~24.24	
	Total Power	W	50	50.4	51	60	
	Line Regulation	mV	25	60	75	120	
	Load Regulation	mVp	50	120	150	240	
	Ripple	mVp-p	50	120	150	240	
	Ripple and Noise	mVp-p	100	170	200	290	
	Drift	mV	75	180	225	360	
	OVP	Vdc	5.75~7	13.8-16.8	17.25~21	26.4~33.6	
	OCP	A	11~13	4.6~5.5	3.7~4.4	2.8~3.3	
	Rise Time	-	500 max [DC IN 9V Io=100%]				
	Hold Up Time	mV	10 typ [DC IN 9V Io=100%]				
<b>INPUT</b>	Input Voltage 12V	Vdc	DC 12	DC 24	DC 48	DC 110	
	Input Voltage Range	Vdc	(9~18)	(19~36)	(38~63)	(85~160)	
	Current Typ.	A	8	3.8	2	0.85	
	Efficiency	%	70	75	78	80	
	Leakage	mA	3.5				
	Inrush Current	A	40(Ta=25°C, Io=100% at cold start)				
<b>Environment</b>	Operating Temperature	°C	-10~+50°C, 20~90% RH(Non condensing)				
	Storage Temperature	°C	-10~+70°C, 20~90% RH(Non condensing)				
	Input-Output	%	AC 1.5KV 1 min, cut-off: 20 mA/DC 500V100MΩ				
	Input-Frame Ground	%	AC 1.5KV 1 min, cut-off: 20 mA/DC 500V100MΩ				
	Output-Frame Ground	-	AC 500V 1 minute cut-off: 100mA, DC 500V100MΩ				
	Cooling	-	Convection				
Vibration	-	10~55Hz at 1G, 3 minutes period, 30 minutes along X, Y and Z axis					
<b>Dimension</b>	Size(WxLxH) / Weight	mm/g	97x37x178/400				

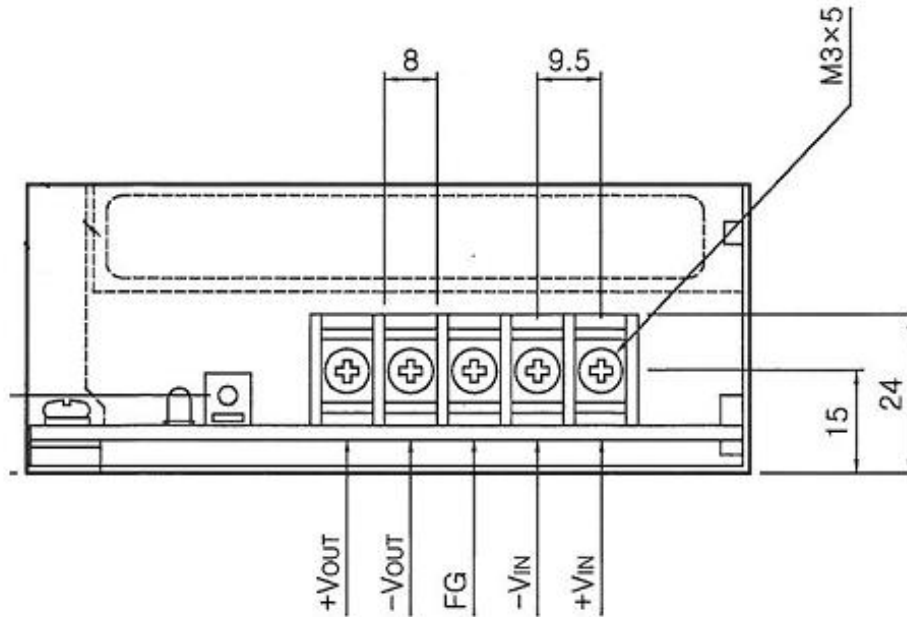




## Output Derating Curve

50W





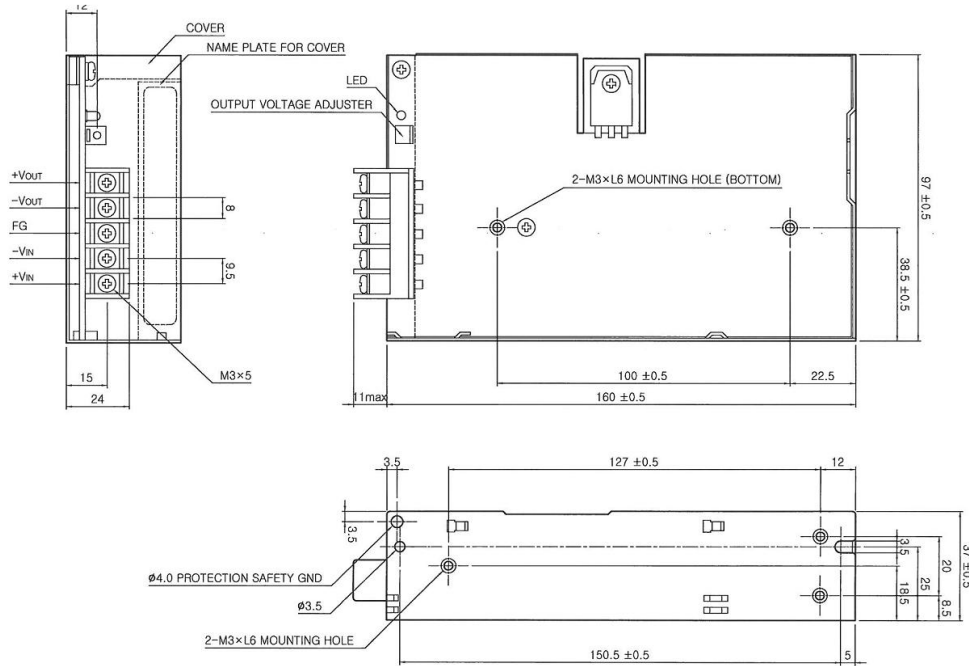
Mark	Pin Connection	Function
+Vin	DC Input (+)	DC Input Terminal (+) Fuse In Line
-VIN	DC Output (-)	DC Input Terminal (-)
F.G	Frame Ground	DC Ground Terminal/ Chassis Ground
+V	DC Output (+)	DC Output Terminal (+)
-V	DC Output (-)	DC Output Terminal (-)





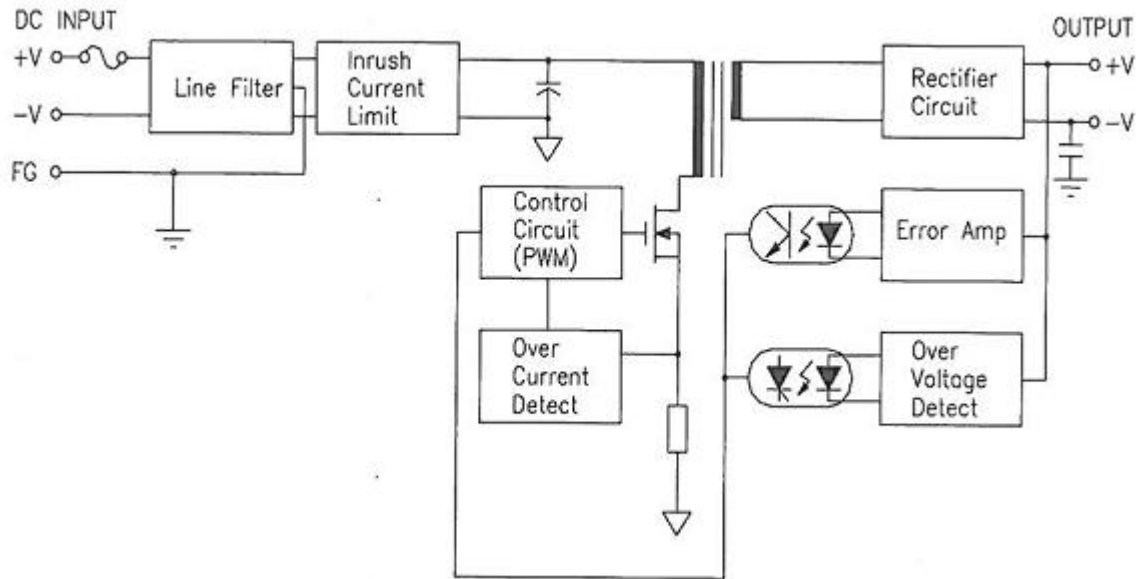
## Dimension Diagram (mm)

50W



## Block Diagram

50W



## X-ON Electronics

Largest Supplier of Electrical and Electronic Components

*Click to view similar products for [Isolated DC/DC Converters](#) category:*

*Click to view products by [ETA](#) manufacturer:*

Other Similar products are found below :

[ESM6D044440C05AAQ](#) [FMD15.24G](#) [PSL486-7LR](#) [Q48T30020-NBB0](#) [JAHW100Y1](#) [SPB05C-12](#) [SQ24S15033-PS0S](#) [18952](#) [19-130041](#)  
[CE-1003](#) [CE-1004](#) [GQ2541-7R](#) [RDS180245](#) [MAU228](#) [J80-0041NL](#) [DFC15U48D15](#) [XGS-0512](#) [XGS-1205](#) [XGS-1212](#) [XGS-2412](#) [XGS-](#)  
[2415](#) [XKS-1215](#) [06322](#) [NCT1000N040R050B](#) [SPB05B-15](#) [SPB05C-15](#) [L-DA20](#) [DCG40-5G](#) [QME48T40033-PGB0](#) [XKS-2415](#) [XKS-2412](#)  
[XKS-1212](#) [XKS-1205](#) [XKS-0515](#) [XKS-0505](#) [XGS-2405](#) [XGS-1215](#) [XGS-0515](#) [PS9Z-6RM4](#) [73-551-5038I](#) [AK1601-9RT](#) [VI-R5022-](#)  
[EXWW](#) [PSC128-7iR](#) [RPS8-350ATX-XE](#) [DAS1004812](#) [VI-LJ11-iz](#) [PQA30-D24-S24-DH](#) [VI-LN2-EW](#) [VI-PJW01-CZY](#) [CK2540-9ERT](#)