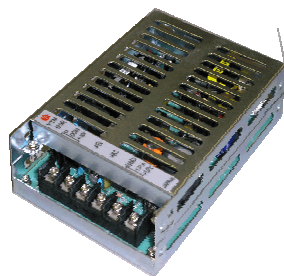




VTD-SC/VTD-SD

100W



FEATURES

- Variety of Models
- Chassis mount type
- Compact and High Efficiency
- **Isolated Power Supply**

MODEL/CHANNEL		Unit	VTD05-SC12	VTD12-SC12	VTD15-SC12	VTD24-SC12	VTD48-SC12
OUTPUT (Single)	Output Voltage	Vdc	5	12	15	24	48
	Output Current 12VDC	A	18	9	7	4.5	2.2
MODEL/CHANNEL		Unit	VTD05-SC24	VTD12-SC24	VTD15-SC24	VTD24-SC24	VTD48-SC/SD
OUTPUT (Single)	Output Voltage	Vdc	5	12	15	24	48
	Output Current 24VDC	A	20	9	7	5	2
MODEL/CHANNEL		Unit	VTD05-SC48	VTD12-SC48	VTD15-SC48	VTD24-SC48	VTD48-SC48
OUTPUT (Single)	Output Voltage	Vdc	5	12	15	24	48
	Output Current 48VDC	A	20	9	7	5	2
MODEL/CHANNEL		Unit	VTD05-SD	VTD12-SD	VTD15-SD	VTD24-SD	VTD48-SD
	Output Voltage	Vdc	5	12	15	24	48
	Output Current 110VDC	A	20	9	7	5	2
	Line Regulation	mV	40	96	120	192	384
	Load Regulation	mVp	45	108	135	216	432
	Ripple and Noise	mVp	100	170	200	290	530
	Voltage Adjustment Range	-	+/-10% of Rated Output Voltage(at no load within input range)				
	Rise Time	-	500mS(maximum) at 25°C and rated input/output(Vin=24,48,110 200mS)				
	Temp. Coefficient	°C	0.03%/°C				
	Drift	mV	40	75	90	135	255
	Dynamic Load Regulation	mV	150	360	450	720	1440
	Recovery Time	mS	0.5mS				
MODEL/CHANNEL		Unit	VTD05-SC/SD	VTD12-SC/SD	VTD15-SC/SD	VTD24-SC/SD	VTD48-SC/SD
INPUT	Input Voltage 12V	Vdc	DC 12V				
	Input Voltage Range	Vdc	DC 9.2V-16V				
	Input Current	A	9.49	11.11	10.54	11.69	11.14
	Efficiency	%	79	81	83	85	85
	Ref. MTBF	H	470,000				
	Switching Frequency	kHz	91 Fix.				





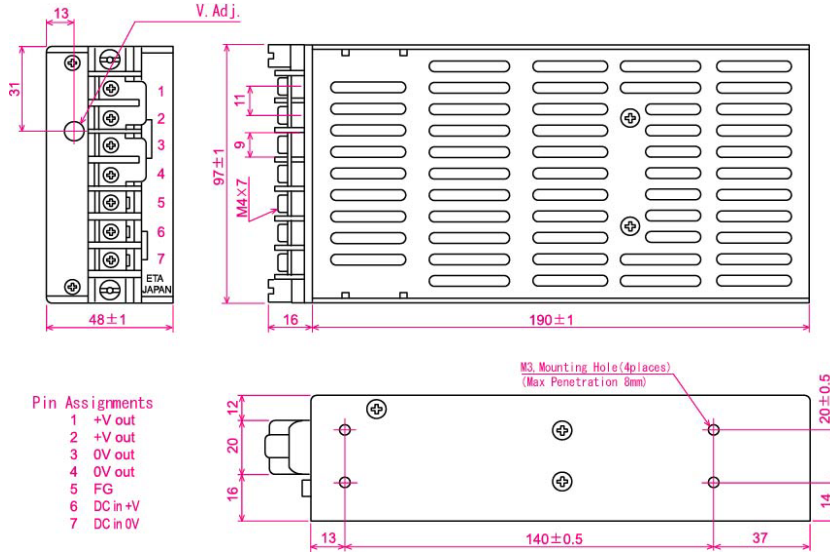
MODEL/CHANNEL		Unit	VTD05-SC24	VTD12-SC24	VTD15-SC24	VTD24-SC24	VTD48-SC24
	Input Voltage 24V	Vdc	DC 24V				
	Input Voltage Range	Vdc	DC 19-32V				
	Input Current	A	5.27	5.79	5.27	5.95	4.6
	Efficiency	%	79	82	83	84	87
	Ref. MTBF	H	700,000				
	Switching Frequency	kHz	59 Fix.				
MODEL/CHANNEL		Unit	VTD05-SC48	VTD12-SC48	VTD15-SC48	VTD24-SC48	VTD48-SC48
	Input Voltage 48V	Vdc	DC 48V				
	Input Voltage Range	Vdc	DC 38-63V				
	Input Current	A	2.64	2.74	2.64	2.98	2.3
	Efficiency	%	81	84	85	86	89
	Ref. MTBF	H	700,000				
	Switching Frequency	kHz	74 Fix.				
MODEL/CHANNEL		Unit	VTD05-SD	VTD12-SD	VTD15-SD	VTD24-SD	VTD48-SD
	Input Voltage 110V	Vdc	DC 110V				
	Input Voltage Range	Vdc	DC 85-140V				
	Input Current	A	1.14	1.18	1.12	1.25	1.09
	Efficiency	%	80	83	85	87	88
	Ref. MTBF	H	500,000				
	Switching Frequency	kHz	160 Fix.				91 Fix.
MODEL/CHANNEL		Unit					
Environment	Operating Temperature	°C	0 to +50°C				
	Operating Humidity	%	85%RH(non-condensing)				
	Storage Temperature	°C	-20 to +85°C				
	Withstand Voltage Primary-Secondary	%	Primary-Secondary AC1,500V for 1minute (Vin=110 2000)				
	Primary-Frame Ground	%	Primary-Frame Ground AC1,500V for 1minute(Vin=110 2000)				
	Secondary-Frame Ground	-	Secondary-Frame Ground AC500V for 1minute				
	Isolation Resistance Primary - Secondary - Case	-	Primary-Secondary-Frame Ground 50MΩ(minimum) by DC500V insulation tester				
	Shock	-	294m/s ²				
	Cooling	-	Convection				
	Vibration	-	5-10Hz:10mm double amplitude,10-55Hz:19.6m/s ² ,20minutes period for 60minutes each along X,Y,Z axes(non-operating)				
Protection	Over Current Protection	A	Current Limiting with automatic recovery				
	Over Voltage Protection	-	Output shutdown				
Dimension	Size(WxHxD) / Weight	mm/g	48Wx190Lx97H/800g				





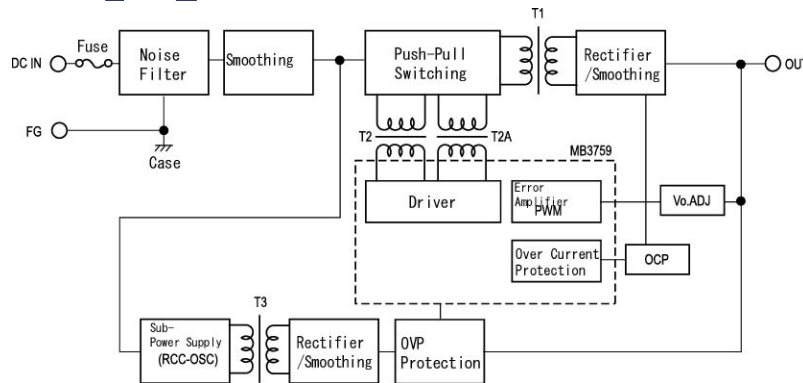
Dimension Diagram (mm)

100W



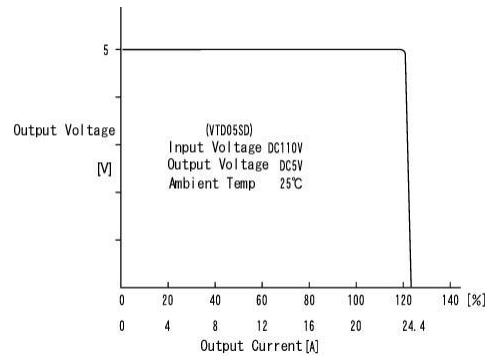
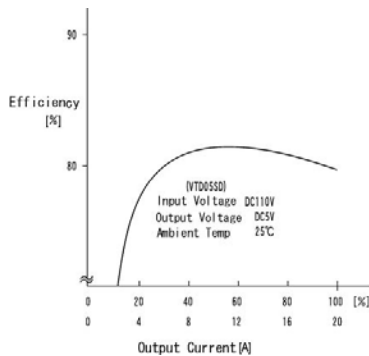
Block Diagram

100W



Efficiency Curve

OCP Curve



X-ON Electronics

Largest Supplier of Electrical and Electronic Components

Click to view similar products for [Isolated DC/DC Converters](#) category:

Click to view products by [ETA](#) manufacturer:

Other Similar products are found below :

[ESM6D044440C05AAQ](#) [FMD15.24G](#) [PSL486-7LR](#) [Q48T30020-NBB0](#) [JAHW100Y1](#) [SPB05C-12](#) [SQ24S15033-PS0S](#) [19-130041](#) [CE-1003](#)
[CE-1004](#) [GQ2541-7R](#) [RDS180245](#) [MAU228](#) [J80-0041NL](#) [DFC15U48D15](#) [XGS-0512](#) [XGS-1205](#) [XGS-1212](#) [XGS-2412](#) [XGS-2415](#) [XKS-](#)
[1215](#) [06322](#) [NCT1000N040R050B](#) [SPB05B-15](#) [SPB05C-15](#) [L-DA20](#) [DCG40-5G](#) [QME48T40033-PGB0](#) [XKS-2415](#) [XKS-2412](#) [XKS-2405](#)
[XKS-1212](#) [XKS-1205](#) [XKS-0515](#) [XKS-0505](#) [XGS-2405](#) [XGS-1215](#) [XGS-0515](#) [PS9Z-6RM4](#) [73-551-5038I](#) [AK1601-9RT](#) [VI-R5022-](#)
[EXWW](#) [PSC128-7iR](#) [RPS8-350ATX-XE](#) [DAS1004812](#) [VI-LJ11-iz](#) [PQA30-D24-S24-DH](#) [VI-M5F-CQ](#) [VI-LN2-EW](#) [VI-PJW01-CZY](#)