



VTE-SC/VTE-SD

150W



FEATURES

- Compact Size, High Efficiency
- High Reliability Design, High Temperature
- De-rating Performance 50°C/100% Load
- **Isolated Power Supply**

	MODEL/CHANNEL	Unit	VTE05-SCx/SD	VTE12-SCx/SD	VTE15-SCx/SD	VTE24-SCx/SD	VTE48-SCx/SD
OUTPUT (Single)	Output Voltage	Vdc	5	12	15	24	48
	Output Current 12VDC	A	27	13	10	6.5	3.3
	24VDC, 48VDC	Vdc	30	14	11	7	3.5
	110VDC	Vdc	30	14	11	7	4.2
	Line Regulation	mV	25 (Vin=110 40)	60 (Vin=110 96)	75 (Vin=110 120)	120 (Vin=110 192)	240 (Vin=110 384)
	Load Regulation	mVp	30 (Vin=110 45)	72 (Vin=110 108)	90 (Vin=110 135)	144 (Vin=110 216)	288 (Vin=110 432)
	Ripple and Noise	mVp	100	170	200	290	530
	Voltage Adjustment Range	-	+/-10% of Rated Output Voltage(at no load within input range)				
	Rise Time	-	200mS(maximum) at 25°C and rated input/output (Vin: 110 500mS)				
	Temp. Coefficient	mV	0.01%/°C (Vin=110 0.03%/°C)				
	Drift	mV	40	75	90	135	255
	Dynamic Load Regulation	%	150 (Vin=24, 48 100)	360 (Vin=24, 48 120)	450 (Vin=24, 48 300)	720 (Vin=24, 48 480)	1440 (Vin=24, 48 960)
	Hold Up Time	%	Not specified (Vin: 110 10mS(typical) at 25°C and rated input/output)				
	INPUT	Input Voltage 12V	Vdc	DC 12V			
Input Voltage Range		Vdc	DC 9.2-16V				
Input Current		A	14.42	16.05	14.88	15.66	16.05
Efficiency		%	78	81	82	84	83
Ref. MTBF		H	420,000				
Switching Frequency		kHz	67				
Input Voltage 24V		Vdc	DC 24V				
Input Voltage Range		Vdc	DC 19-32V				
Input Current		A	7.94	8.75	8.38	8.64	8.86
Efficiency		%	81	87	87	89	89
Ref. MTBF		H	420,000				
Switching Frequency		kHz	67				

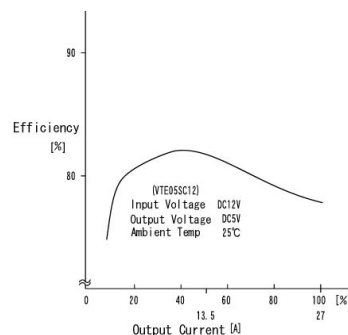




MODEL/CHANNEL		Unit	VTE05-SCx/SD	VTE12-SCx/SD	VTE15-SCx/SD	VTE24-SCx/SD	VTE48-SCx/SD
	Input Voltage 48V	Vdc	DC 48V				
	Input Voltage Range	Vdc	DC 38-63V				
	Input Current	A	4.01	4.27	4.14	4.17	4.07
	Efficiency	%	81	87	87	89	91
	Ref. MTBF	H	430,000				
	Switching Frequency	kHz	70				
	Input Voltage 110V	Vdc	DC 110V				
	Input Voltage Range	Vdc	DC 85-140V				
	Input Current	A	1.68	1.82	1.74	1.76	2.08
	Efficiency	%	81	84	86	87	88
	Ref. MTBF	H	400,000				
	Switching Frequency	kHz	120				
MODEL/CHANNEL		Unit					
Environment	Operating Temperature	°C	0 to +50°C				
	Operating Humidity	%	85%RH(non-condensing)				
	Storage Temperature	°C	-20 to +85°C				
	Withstand Voltage Primary-Secondary	%	AC1,500V for 1minute (Vin=110 2000)				
	Primary-Frame Ground	%	AC1,500V for 1minute (Vin=110 2000)				
	Secondary-Frame Ground	-	AC500V for 1minute				
	Isolation Resistance Primary-Secondary-Case	-	50ΩM (minimum) by DC500V insulation tester				
	Shock	-	294m/s ²				
	Cooling	-	Convection				
	Vibration	-	5-10Hz: 10mm double amplitude, 10-55Hz: 19.6m/s ² , 20 minutes period for 60minutes each along X,Y,Z axes(non-operating)				
Protection	Over Current Protection	A	Current Limiting with automatic recovery				
	Over Voltage Protection	-	Output shutdown				
Dimension	Size(WxLxH) / Weight	mm/g	70Wx200Lx97H/1400g				

Temperature Derating Curve

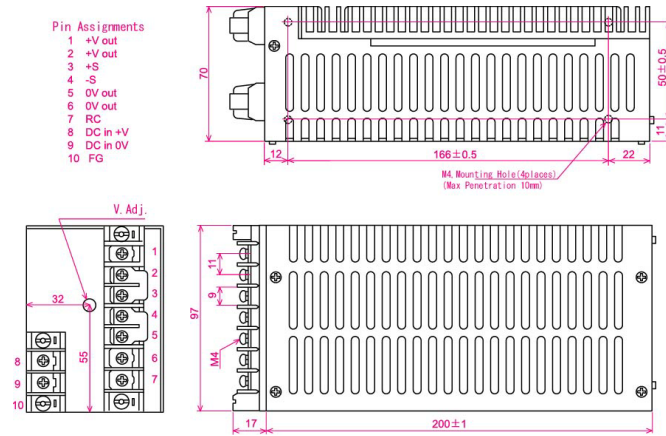
150W





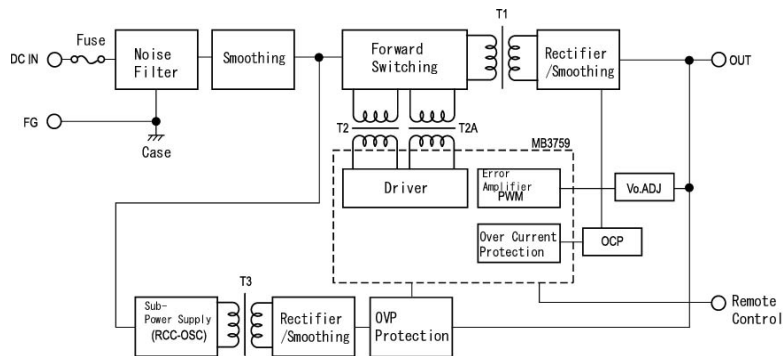
Dimension Diagram (mm)

150W



Block Diagram

150W



X-ON Electronics

Largest Supplier of Electrical and Electronic Components

Click to view similar products for [Isolated DC/DC Converters](#) category:

Click to view products by [ETA](#) manufacturer:

Other Similar products are found below :

[ESM6D044440C05AAQ](#) [FMD15.24G](#) [PSL486-7LR](#) [Q48T30020-NBB0](#) [JAHW100Y1](#) [SPB05C-12](#) [SQ24S15033-PS0S](#) [19-130041](#) [CE-1003](#)
[CE-1004](#) [GQ2541-7R](#) [RDS180245](#) [MAU228](#) [J80-0041NL](#) [DFC15U48D15](#) [XGS-0512](#) [XGS-1205](#) [XGS-1212](#) [XGS-2412](#) [XGS-2415](#) [XKS-](#)
[1215](#) [06322](#) [NCT1000N040R050B](#) [SPB05B-15](#) [SPB05C-15](#) [L-DA20](#) [DCG40-5G](#) [QME48T40033-PGB0](#) [XKS-2415](#) [XKS-2412](#) [XKS-2405](#)
[XKS-1212](#) [XKS-1205](#) [XKS-0515](#) [XKS-0505](#) [XGS-2405](#) [XGS-1215](#) [XGS-0515](#) [PS9Z-6RM4](#) [73-551-5038I](#) [AK1601-9RT](#) [VI-R5022-](#)
[EXWW](#) [PSC128-7iR](#) [RPS8-350ATX-XE](#) [DAS1004812](#) [VI-LJ11-iz](#) [PQA30-D24-S24-DH](#) [VI-M5F-CQ](#) [VI-LN2-EW](#) [VI-PJW01-CZY](#)