



VTM-SC/D

15W



FEATURES

- Variety of Models
- Chassis mount type
- Compact and High Efficiency
- Single Output
- **Isolated Power Supply**

MODEL/CHANNEL		Unit	VTM05-S-C/D	VTM12-S-C/D	VTM15-S-C/D	VTM24-S-C/D
OUTPUT	Output Voltage	Vdc	5	12	15	24
	Output Current	A	3	1.2	1	0.62
	Line Regulation	mV	40	96	120	192
	Load Regulation	mVp	45	108	135	216
	Ripple and Noise	mVp	100	170	200	290
	Drift	mV	40	75	90	135
	Voltage Adjustment Range	-	+/-5% of Rated Output Voltage(at no load within input range)			
	Rise Up Time	mS	200mS(maximum) at 25°C and rated input/output			
	Temp. Coefficient	°C	0.03%/°C			
MODEL/CHANNEL		Unit	VTM05-SC12	VTM12-SC12	VTM15-SC12	VTM24-SC12
INPUT	Input Voltage 12V	Vdc	DC 12V			
	Input Voltage Range	Vdc	DC 9.2V-16V			
	Input Current	A	1.79	1.71	1.79	1.77
	Efficiency	%	70			
	MTBF	H	900,000			
	Switching Frequency	-	41 Fix			





VTM-SC/D

15W

MODEL/CHANNEL	Unit	VTM05-SC24	VTM12-SC24	VTM15-SC24	VTM24-SC24
Input Voltage 24V	Vdc	DC 24V			
Input Voltage Range	Vdc	DC 19-32V			
Input Current	A	0.89	0.86	0.89	0.89
Efficiency	%	70			
MTBF	H	880,000			
Switching Frequency	-	43 Fix			

MODEL/CHANNEL	Unit	VTM05-SC48	VTM12-SC48	VTM15-SC48	VTM24-SC48
Input Voltage 48V	Vdc	DC 48V			
Input Voltage Range	Vdc	DC 38-63V			
Input Current	A	0.49	0.43	0.45	0.44
Efficiency	%	70			
MTBF	H	880,000			
Switching Frequency	-	41 Fix			

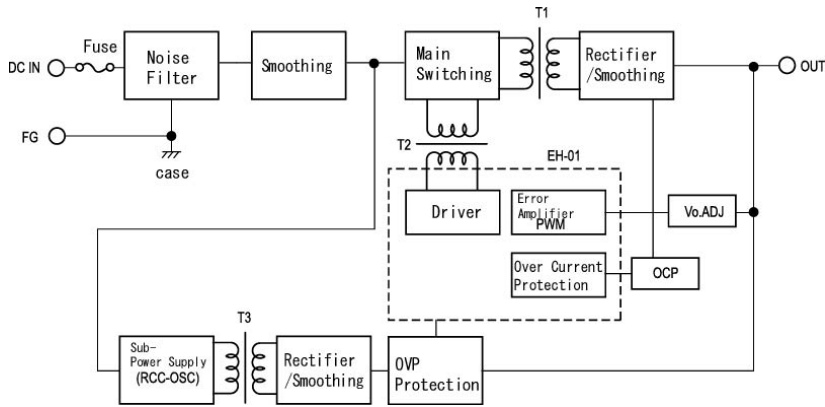
MODEL/CHANNEL	Unit	VTM05-SD	VTM12-SD	VTM15-SD	VTM24-SD
Input Voltage 110V	Vdc	DC 110V			
Input Voltage Range	Vdc	DC 85-140V			
Input Current	A	0.19			
Inrush Current	A	Less than 20A at rated input/output (at cold start)			
Efficiency	%	70			
MTBF	H	850,000			
Switching Frequency	-	43 Fix			

MODEL/CHANNEL	Unit	VTM05-SD	VTM12-SD	VTM15-SD	VTM24-SD
Environment	Operating Temperature	°C 0 to +50°C			
	Operating Humidity	% 85%RH(non-condensing)			
	Storage Temperature	°C -20 to +85°C			
	Withstand Voltage	% Primary-Secondary AC1,500Vfor 1 minute (Vin=110 2000) Primary-Frame Ground AC1,500V for 1 minute (Vin=110 2000) Secondary-Frame Ground AC500V for 1 minute			
	Isolation Resistance	- Primary-Secondary-Frame Ground 50MΩ(minimum) by DC500V insulation tester			
	Shock	- 294m/s^2			
	Cooling	- Convection			
	Vibration	- 5-10Hz:10mm double amplitude,10-55Hz:19.6m/s^2 20 minutes period for 60 minutes each along X, Y, Z axes(non-operating)			
Protection	Over Current Protection	A Current Limiting with automatic recovery			
	Over Voltage Protection	- zener diode clamping			
	Reverse Voltage Protection	- by internal fuse			
Dimension	Size(WxHxD) / Weight	mm/g 80Wx118Lx25H/250g			

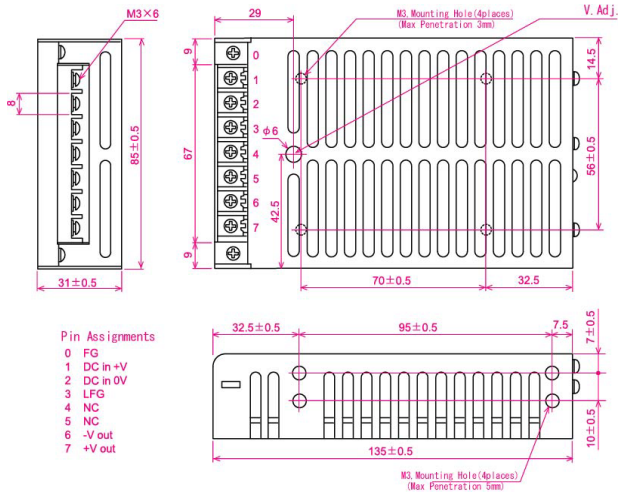




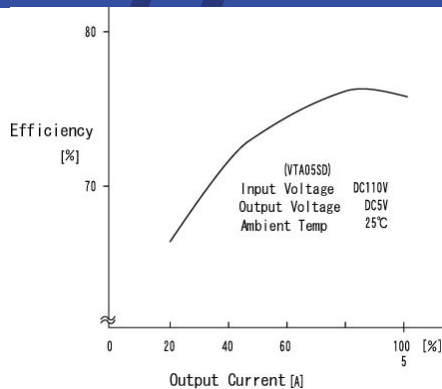
Block Diagram



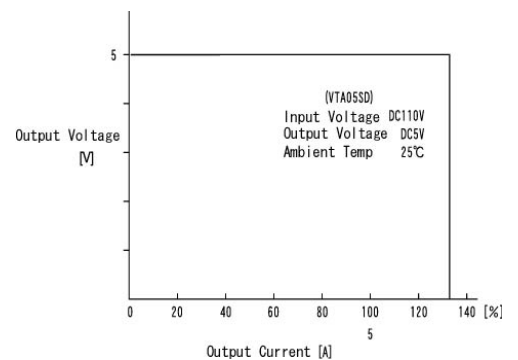
Dimension Diagram



Efficiency Curve



OCP Curve



X-ON Electronics

Largest Supplier of Electrical and Electronic Components

Click to view similar products for [Isolated DC/DC Converters](#) category:

Click to view products by [ETA](#) manufacturer:

Other Similar products are found below :

[ESM6D044440C05AAQ](#) [FMD15.24G](#) [PSL486-7LR](#) [Q48T30020-NBB0](#) [JAHW100Y1](#) [SPB05C-12](#) [SQ24S15033-PS0S](#) [19-130041](#) [CE-1003](#)
[CE-1004](#) [GQ2541-7R](#) [RDS180245](#) [MAU228](#) [J80-0041NL](#) [DFC15U48D15](#) [XGS-0512](#) [XGS-1205](#) [XGS-1212](#) [XGS-2412](#) [XGS-2415](#) [XKS-](#)
[1215](#) [06322](#) [NCT1000N040R050B](#) [SPB05B-15](#) [SPB05C-15](#) [L-DA20](#) [DCG40-5G](#) [QME48T40033-PGB0](#) [XKS-2415](#) [XKS-2412](#) [XKS-2405](#)
[XKS-1212](#) [XKS-1205](#) [XKS-0515](#) [XKS-0505](#) [XGS-2405](#) [XGS-1215](#) [XGS-0515](#) [PS9Z-6RM4](#) [73-551-5038I](#) [AK1601-9RT](#) [VI-R5022-](#)
[EXWW](#) [PSC128-7iR](#) [RPS8-350ATX-XE](#) [DAS1004812](#) [VI-LJ11-iz](#) [PQA30-D24-S24-DH](#) [VI-M5F-CQ](#) [VI-LN2-EW](#) [VI-PJW01-CZY](#)