



VTM-W-C/D

15W



FEATURES

- Variety of Models
- Chassis mount type
- Compact and High Efficiency
- Dual Output
- **Isolated Power Supply**

MODEL/CHANNEL		Unit	VTM21-W-C/D		VTM23-W-C/D		VTM24-W-C/D	
OUTPUT (Double)	Output Voltage	Vdc	+12	-12	+15	-15	+12	-5
	Output Current	A	0.75	0.5	0.5	0.5	0.8	0.8
	Line Regulation	mV	96	96	120	120	96	40
	Load Regulation	mVp	108	108	135	135	108	45
	Ripple and Noise	mVp	170	170	200	200	170	
	Drift	mV	75	75	90	90	75	40
	Dynamic Load Regulation	mV	360	360	450	450	360	150
	Voltage Adjustment Range	-	+/-5% of Rated Output Voltage(at no load within input range)					
	Rise Up Time	mS	200mS(maximum) at 25°C and rated input/output					
	Hold Up Time	mS	Not specified (Vin=110 6mS)					
Temp. Coefficient	°C	0.03%/°C						
MODEL/CHANNEL		Unit	VTM21-WC12		VTM22-WC12		VTM23-WC12	
INPUT	Input Voltage 12V	Vdc	DC 12V					
	Input Voltage Range	Vdc	DC 9.2V-16V					
	Efficiency	%	70					
	MTBF	H	600,000					





VTM-WC/D

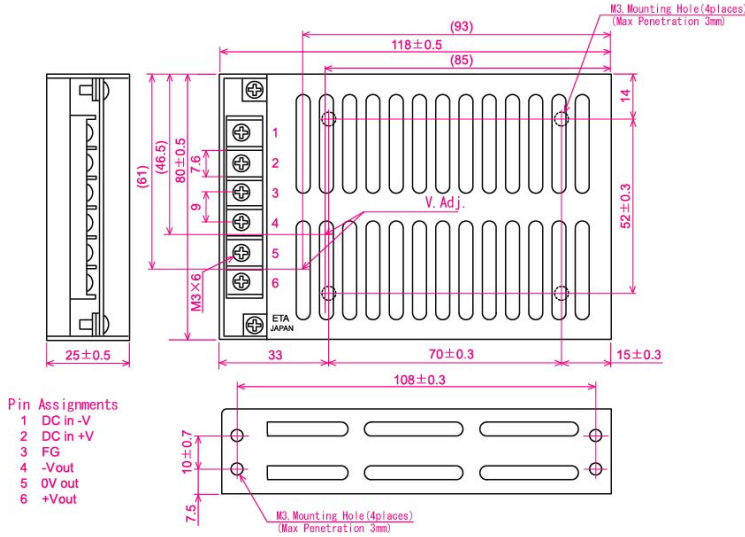
15W

MODEL/CHANNEL		Unit	VTM21-WC24	VTM22-WC24	VTM23-WC24
	Input Voltage 24V	Vdc		DC 24V	
	Input Voltage Range	Vdc		DC 19-32V	
	Efficiency	%		70	
	MTBF	H		600,000	
MODEL/CHANNEL		Unit	VTM21-WC48	VTM22-WC48	VTM23-WC48
	Input Voltage 48V	Vdc		DC 48V	
	Input Voltage Range	Vdc		DC 38-63V	
	Efficiency	%		70	
	MTBF	H		580,000	
MODEL/CHANNEL		Unit	VTM21-WD	VTM22-WD	VTM23-WD
	Input Voltage 110V	Vdc		DC 110V	
	Input Voltage Range	Vdc		DC 85-140V	
	Input Current	A		20A(maximum) at rated input/output	
	Efficiency	%		70	
	MTBF	H		580,000	
MODEL/CHANNEL		Unit			
Environment	Operating Temperature	°C	0 to +50°C		
	Operating Humidity	%	85%RH(non-condensing)		
	Storage Temperature	°C	-20 to +85°C		
	Withstand Voltage	%	Primary-Secondary AC1,500V for 1 minute (Vin=110 2000) Primary-Frame Ground AC1,500V for 1 minute (Vin=110 2000) Secondary-Frame Ground AC500V for 1 minute		
	Isolation Resistance	-	Primary-Secondary-Frame Ground 50MΩ(minimum) by DC500V insulation tester		
	Shock	-	294m/s ²		
	Cooling	-	Convection		
	Vibration	-	5-10Hz: 10mm double amplitude, 10-55Hz: 19.6m/s ² 20 minutes period for 60 minutes each along X, Y, Z		
	Switching Frequency	-	43 Fix		
Protection	Over Current Protection	A	Current Limiting with automatic recovery		
	Over Voltage Protection	-	zener diode clamping		
	Reverse Voltage Protection	-	by internal fuse (Vin=110 by internal bridge diode)		
Dimension	Size(WxHxD) / Weight	mm/g	80Wx118Lx25H/250g		

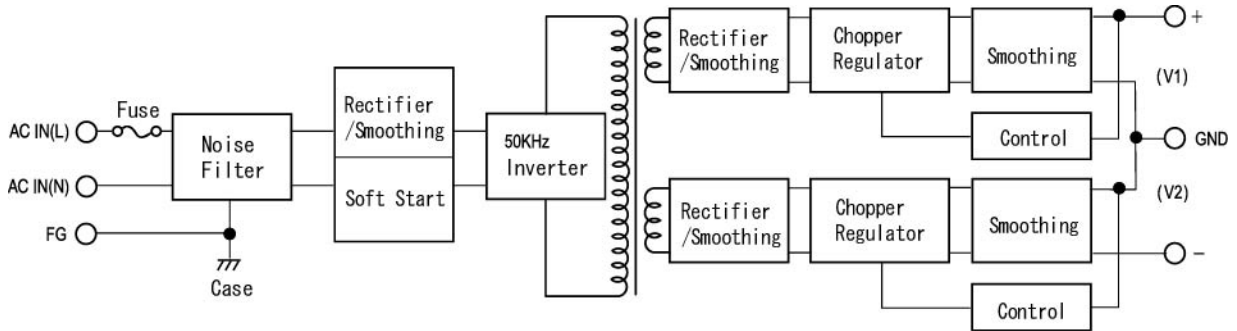




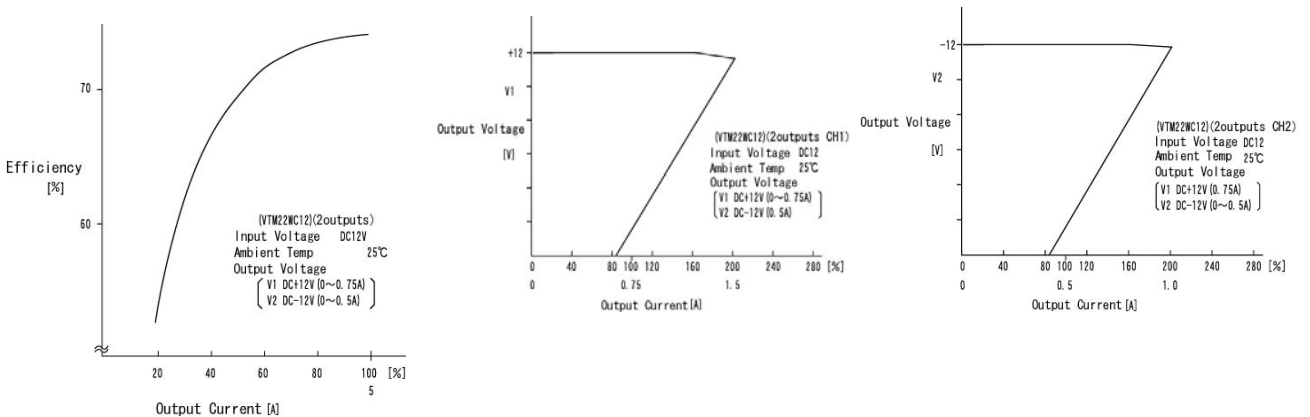
Efficiency Curve



OCP Curve



OCP Curve



X-ON Electronics

Largest Supplier of Electrical and Electronic Components

Click to view similar products for [Isolated DC/DC Converters](#) category:

Click to view products by [ETA](#) manufacturer:

Other Similar products are found below :

[ESM6D044440C05AAQ](#) [FMD15.24G](#) [PSL486-7LR](#) [Q48T30020-NBB0](#) [JAHW100Y1](#) [SPB05C-12](#) [SQ24S15033-PS0S](#) [19-130041](#) [CE-1003](#)
[CE-1004](#) [GQ2541-7R](#) [RDS180245](#) [MAU228](#) [J80-0041NL](#) [DFC15U48D15](#) [XGS-0512](#) [XGS-1205](#) [XGS-1212](#) [XGS-2412](#) [XGS-2415](#) [XKS-](#)
[1215](#) [06322](#) [NCT1000N040R050B](#) [SPB05B-15](#) [SPB05C-15](#) [L-DA20](#) [DCG40-5G](#) [QME48T40033-PGB0](#) [XKS-2415](#) [XKS-2412](#) [XKS-2405](#)
[XKS-1212](#) [XKS-1205](#) [XKS-0515](#) [XKS-0505](#) [XGS-2405](#) [XGS-1215](#) [XGS-0515](#) [PS9Z-6RM4](#) [73-551-5038I](#) [AK1601-9RT](#) [VI-R5022-](#)
[EXWW](#) [PSC128-7iR](#) [RPS8-350ATX-XE](#) [DAS1004812](#) [VI-LJ11-iz](#) [PQA30-D24-S24-DH](#) [VI-M5F-CQ](#) [VI-LN2-EW](#) [VI-PJW01-CZY](#)