



# ETA-USA

THE POWER PROFESSIONALS

## WRB\*\*X-O

## 50 Watt AC/DC Triple Output



Universal Input  
Compact design with Inrush current protection  
Triple Output  
-WRB01X-O: 5, 12, -12 VDC  
-WRB04X-O: 5, 15, -15 VDC  
2 year Warranty



		UNIT							
<b>INPUT</b>	<b>Voltage/Freq</b>	V	AC100V - 240V (AC85V ~ 264V or DC125V~ 370V), 50 / 60Hz (47 ~ 440Hz) Universal Input voltage						
	<b>Current Typ.</b>	A	1.2 at 110V; .7 at 220V (I <sub>o</sub> =100%)						
	<b>Power Factor</b>	-	--						
	<b>Inrush Current</b>	A	20A typ (AC IN 110V, I <sub>o</sub> =100%), 40A typ (AC IN 220V, I <sub>o</sub> =100%) at cold start						
	<b>Leakage</b>	mA	0.75						
		UNIT	WRB01X-O	WRB04X-O					
<b>OUTPUT</b>	<b>Nominal Voltage</b>	VDC	5	12	12	5	15	15	
	<b>Efficiency typ</b>	%	75 typ			75 typ			
	<b>Current</b>	A	0.5~5	1.8	0.3	0.5~5	1.4	0.3	
	<b>Line Regulation</b>	mV	50 max	120 max	120 max	50 max	150 max	150 max	
	<b>Load Regulation</b>	mV	100 max	240 max	240 max	100 max	300 max	300 max	
	<b>Ripple</b>	mVp-p	80 max	120 max	120 max	80 max	120 max	120 max	
	<b>Ripple Noise maximum</b>	mVp-p	120 max	150 max	150max	120 max	150 max	150max	
	<b>Temperature Drift [0-+50C]</b>	mV	75 max	180 max	180 max	75 max	225 max	225 max	
	<b>Rise Time</b>	mS	1000 max [AC IN 110V I <sub>o</sub> =100%]						
	<b>Hold up Time</b>	mS	17 typ [AC IN 110V, I <sub>o</sub> =100%]						

<b>Protection</b>	<b>Over Voltage</b>	Works at 115~140% of rating	
	<b>Over Current</b>	Works at 105% over rated current and recovers automatically	
<b>Isolation</b>	<b>Input-Output</b>	AC 3,000V 1 minute current 20mA, DC 500V 100MΩ (At room temperature & Humidity)	
	<b>Input-F.G</b>	AC 2,000V 1 minute current 20mA, DC 500V 100MΩ (At room temperature & Humidity)	
	<b>Output-F.G</b>	AC 500V 1 minute current 100mA, DC 500V 100MΩ (At room temperature & Humidity)	
<b>Environment</b>	<b>Operating temp/hum</b>	-10 ~ +70°C, 20 ~ 90% RH(Non condensing)	
	<b>Storage temp/hum</b>	-20 ~ +75°C, 20 ~ 90% RH(Non condensing)	
	<b>Vibration</b>	10 ~ 55Hz at 1G, 3 minutes period, 30 minutes along X, Y and Z axis	
	<b>Impact</b>	10G for 20ms once on each X, Y and Z axis	
<b>Safety</b>	<b>CE CB</b>	IEC 60950-1	EN60950-1
	<b>Line Con RF Voltage</b>	EN55022-A	
<b>Size</b>	<b>MM/G</b>	82 x 35.5 x 135 (150)	360



# ETA-USA

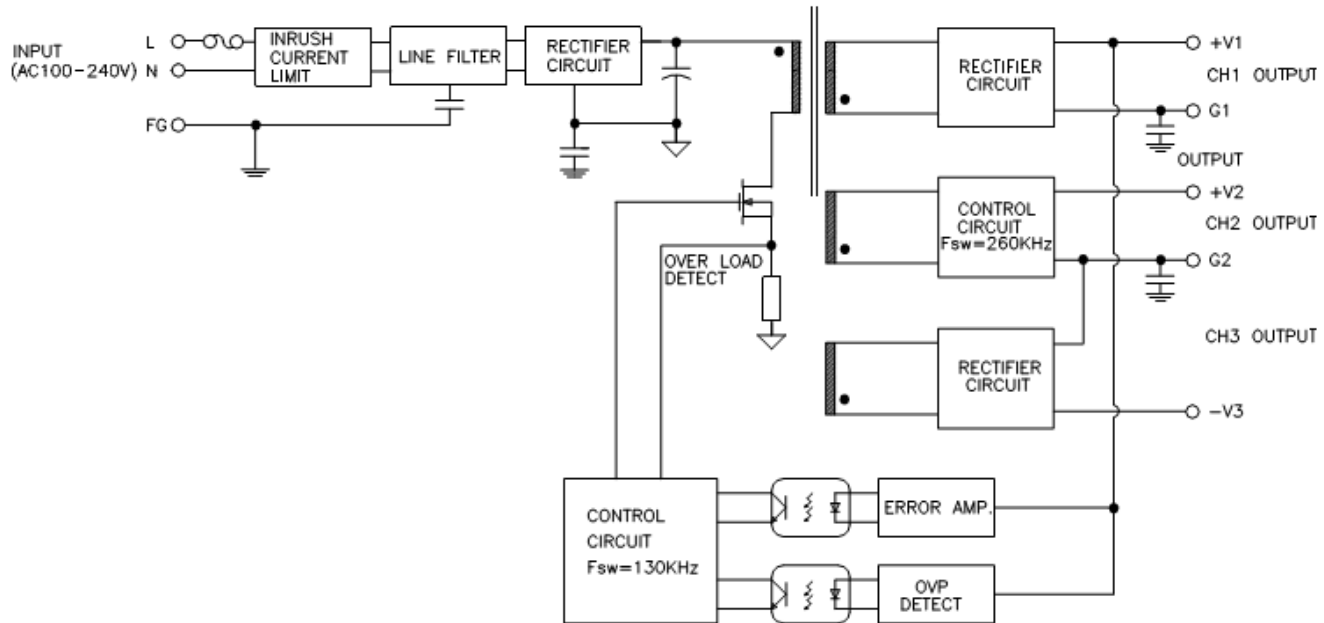
16170 Vineyard Blvd, Suite 180 Morgan Hill, CA 95037 <http://www.eta-usa.com>  
Toll-free (US only): 800-ETA-POWR (800-382-7697) Telephone: 408 778-2793 FAX: 408-779-2753



# ETA-USA

THE POWER PROFESSIONALS

## BLOCK DIAGRAM



# ETA-USA

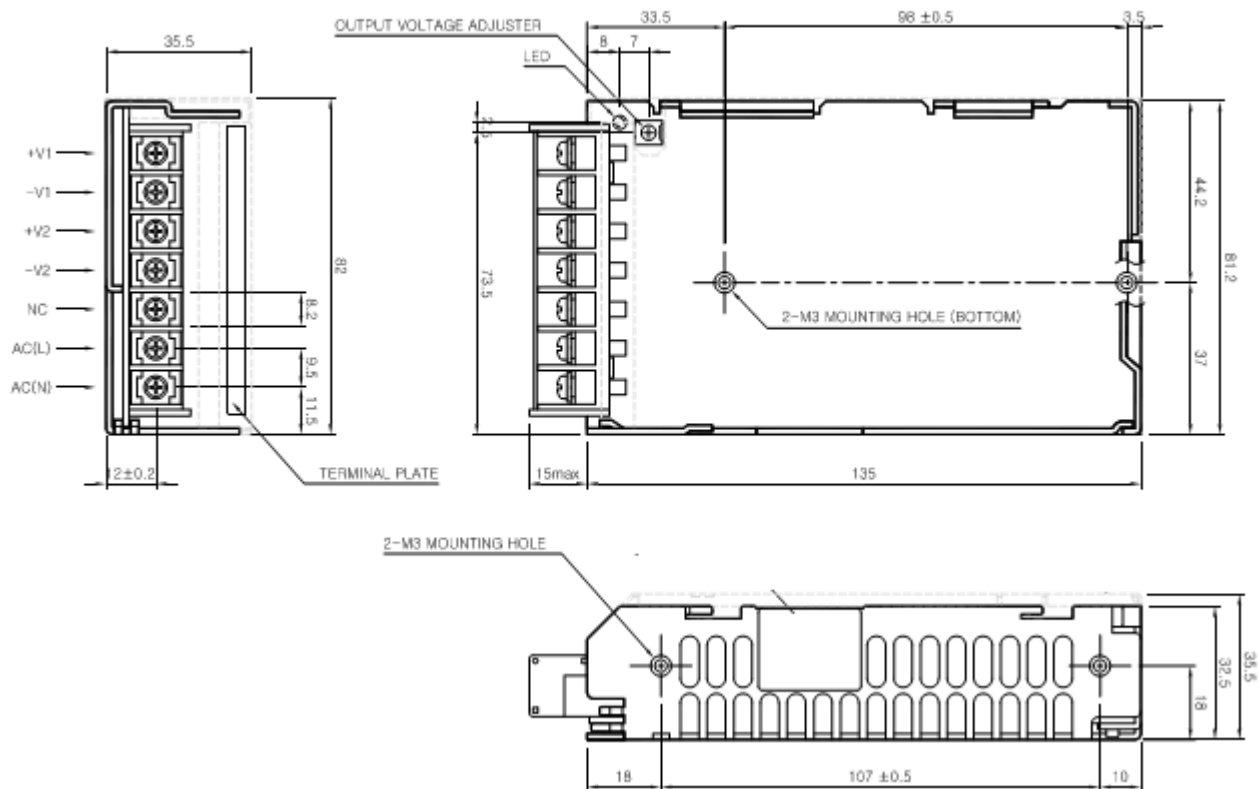
16170 Vineyard Blvd, Suite 180 Morgan Hill, CA 95037 <http://www.eta-usa.com>  
Toll-free (US only): 800-ETA-POWR (800-382-7697) Telephone: 408 778-2793 FAX: 408-779-2753



# ETA-USA

THE POWER PROFESSIONALS

## DIMENSIONAL DRAWING (mm)



Mark	Pin Connection	Function
L	AC L	SMPS AC Terminal (FUSE IN LINE)
N	AC N	SMPS AC Terminal
+V1	DC Output	DC (+) Terminal
G1	GND	DC (+V1) GND Terminal
+V2	DC Output	DC (+) Terminal
G2	GND	DC (+V2, -V3) GND Terminal
-V3	DC Output	DC (-) Terminal

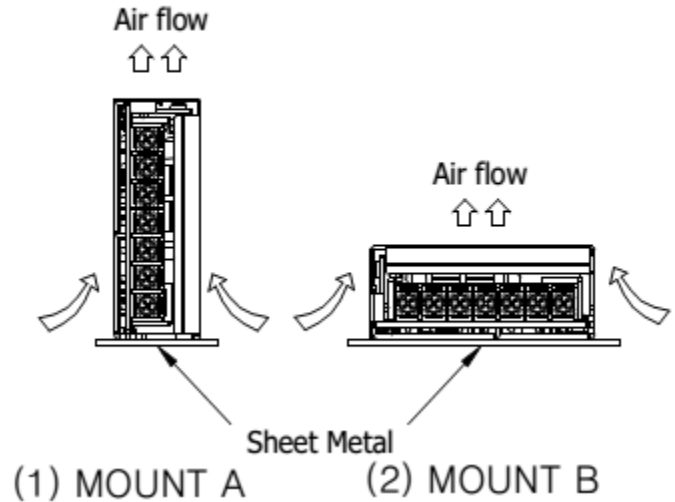
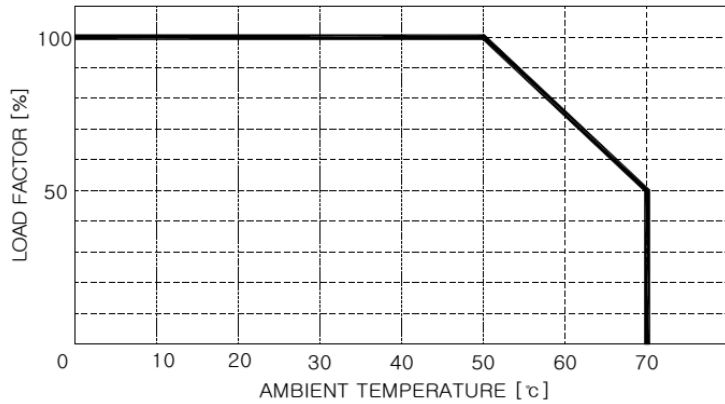


# ETA-USA

16170 Vineyard Blvd, Suite 180 Morgan Hill, CA 95037 <http://www.eta-usa.com>  
Toll-free (US only): 800-ETA-POWR (800-382-7697) Telephone: 408 778-2793 FAX: 408-779-2753



## DERATING CURVE AND RECCOMENDED MOUNTING DIAGRAM



## X-ON Electronics

Largest Supplier of Electrical and Electronic Components

*Click to view similar products for [Switching Power Supplies](#) category:*

*Click to view products by [ETA](#) manufacturer:*

Other Similar products are found below :

[70841011](#) [73-551-0005](#) [73-551-0048](#) [PS3E-B12F](#) [PS3E-E12F](#) [AAD600S-4-OP](#) [R22095](#) [KD0204](#) [9021](#) [LDIN100150](#) [LPM000-BBAR-01](#)  
[LPX17S-C](#) [EVS57-10R6/R](#) [FP80](#) [FRV7000G](#) [22929](#) [PS3E-F12F](#) [CQM1IA121](#) [40370121900](#) [VI-PU22-EXX](#) [40370121910](#) [LDIN5075](#)  
[LPM615-CHAS](#) [LPX140-C](#) [09-160CFG](#) [70841025](#) [VPX3000-CBL-DC](#) [LPM000-BBAR-05](#) [LPM000-BBAR-08](#) [LPM124-OUTA1-48](#)  
[LPM000-BBAR-07](#) [LPM109-OUTA1-10](#) [LPM616-CHAS](#) [08-30466-1055G](#) [08-30466-2175G](#) [08-30466-2125G](#) [DMB-EWG](#) [TVQF-1219-](#)  
[18S](#) [6504-226-2101](#) [CQM1IPS01](#) [SP-300-5](#) [CQM1-IPS02](#) [VI-MUL-ES](#) [22829](#) [08-30466-0065G](#) [VI-RU031-EWWX](#) [08-30466-0028G](#) [VI-](#)  
[LUL-EU](#) [EP3000AC48INZ](#) [VP-C2104853](#)