



# ETA-USA

THE POWER PROFESSIONALS

## WRB\*\*FWX-O

## 50 Watt AC/DC Dual Output



Universal Input  
 Compact design with Inrush current protection  
 Dual Output  
 -WRB21FWX-O: 5V, 24V - WRB24FWX-O:5V, 12V  
 -WRB22FWX-O: 12V, 12V - WRB25FWX-O:5V, 15V  
 -WRB23FWX-O: 15V, 15V



		UNIT	
<b>INPUT</b>	<b>Voltage/Freq</b>	V	AC100V - 240V (AC85V ~ 264V or DC125V~ 370V), 50 / 60Hz (47 ~ 440Hz) Universal Input voltage
	<b>Current Typ.</b>	A	1.2A at 110V; .7A at 220V (I <sub>o</sub> =100%)
	<b>Power Factor</b>	-	--
	<b>Inrush Current</b>	A	20A typ (AC IN 110V, I <sub>o</sub> =100%), 40A typ (AC IN 220V, I <sub>o</sub> =100%) at cold start
	<b>Leakage</b>	mA	0.75

		UNIT	WRB24FWX-O	WRB21FWX-O	WRB25FWX-O	WRB22FWX-O	WRB23FWX-O	
<b>OUTPUT</b>	<b>Nominal Voltage</b>	VDC	5 12	5 24	5 15	12 12	15 15	
	<b>Efficiency typ</b>	%	75		77		77	
	<b>Current</b>	A	0.5~5 2	0.5~5 1	0.5~5 1.7	0.1~2.5 1.5	.1~2 1.5	
	<b>Line Regulation</b>	mV (max)	50 120	50 240	50 150	120 120	150 150	
	<b>Load Regulation</b>	mV(max)	100 240	100 480	100 210	240 240	300 300	
	<b>Ripple</b>	mVp-p	80 120	80 150	80 120	120 120	120 120	
	<b>Ripple Noise maximum</b>	mVp-p	120 150	120 250	120 150	150 150	150 150	
	<b>Temperature Drift [0~+50C]</b>	mV	75 180	75 360	75 225	180 180	225 225	
	<b>Rise Time</b>	mS	1000 max [AC IN 110V/220V I <sub>o</sub> =100%]					
	<b>Hold up Time</b>	mS	17 typ [AC IN 110V/220V, I <sub>o</sub> =100%]					
<b>Grounding</b>		Individual Ground						

<b>Protection</b>	<b>Over Voltage</b>	Works at 115~140% of rating
	<b>Over Current</b>	Works at 105% over rated current and recovers automatically
<b>Isolation</b>	<b>Input-Output</b>	AC 3,000V 1 minute current 20mA, DC 500V 100MΩ (At room temperature & Humidity)
	<b>Input-F.G</b>	AC 2,000V 1 minute current 20mA, DC 500V 100MΩ (At room temperature & Humidity)
	<b>Output-F.G</b>	AC 500V 1 minute current 100mA, DC 500V 100MΩ (At room temperature & Humidity )
<b>Environment</b>	<b>Operating temp/hum</b>	-10 ~ +70℃ , 20 ~ 90% RH(Non condensing)
	<b>Storage temp/hum</b>	-20 ~ +75℃ , 20 ~ 90% RH(Non condensing)
	<b>Vibration</b>	10 ~ 55Hz at 1G, 3 minutes period, 30 minutes along X, Y and Z axis
<b>Safety</b>	<b>Impact</b>	10G for 20ms once on each X, Y and Z axis
	<b>CE/ CB</b>	IEC 60950-1, EN60950-1
<b>Size</b>	<b>Line Con RF Voltage</b>	EN55022-A
	<b>MM/G</b>	82 x 35.5 x 135 (150) / 360



# ETA-USA

16170 Vineyard Blvd, Suite 180 Morgan Hill, CA 95037 <http://www.eta-usa.com>  
 Toll-free (US only): 800-ETA-POWR (800-382-7697) Telephone: 408 778-2793 FAX: 408-779-2753

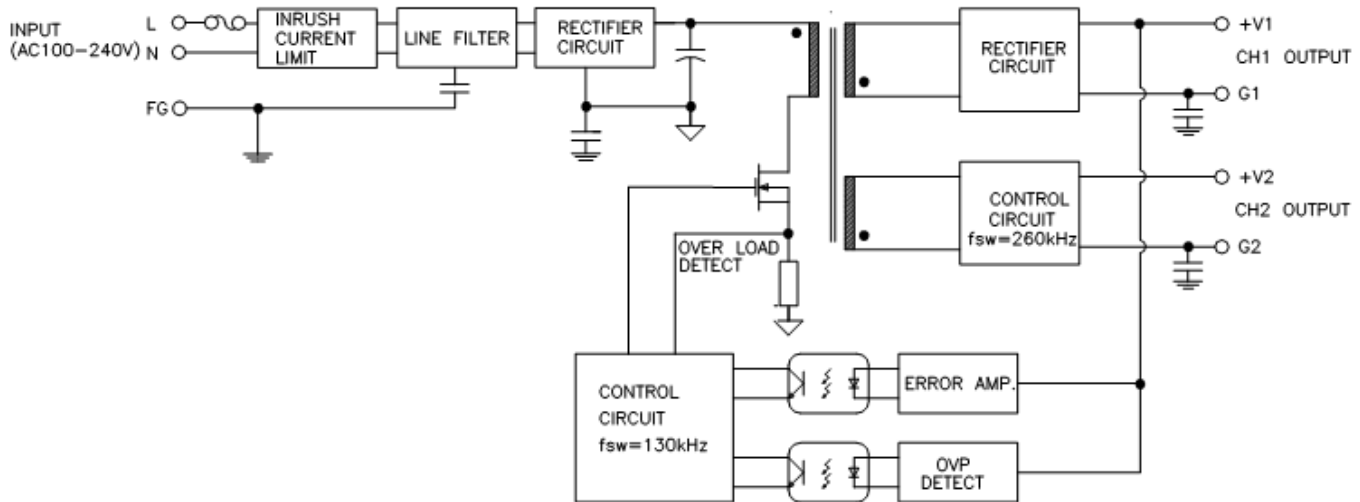


# ETA-USA

THE POWER PROFESSIONALS

## BLOCK DIAGRAM

WRB22FWX-O WRB23FWX-O WRB25FWX-O WRB24FWX-O WRB21FWX-O



# ETA-USA

16170 Vineyard Blvd, Suite 180 Morgan Hill, CA 95037 <http://www.eta-usa.com>  
Toll-free (US only): 800-ETA-POWR (800-382-7697) Telephone: 408 778-2793 FAX: 408-779-2753

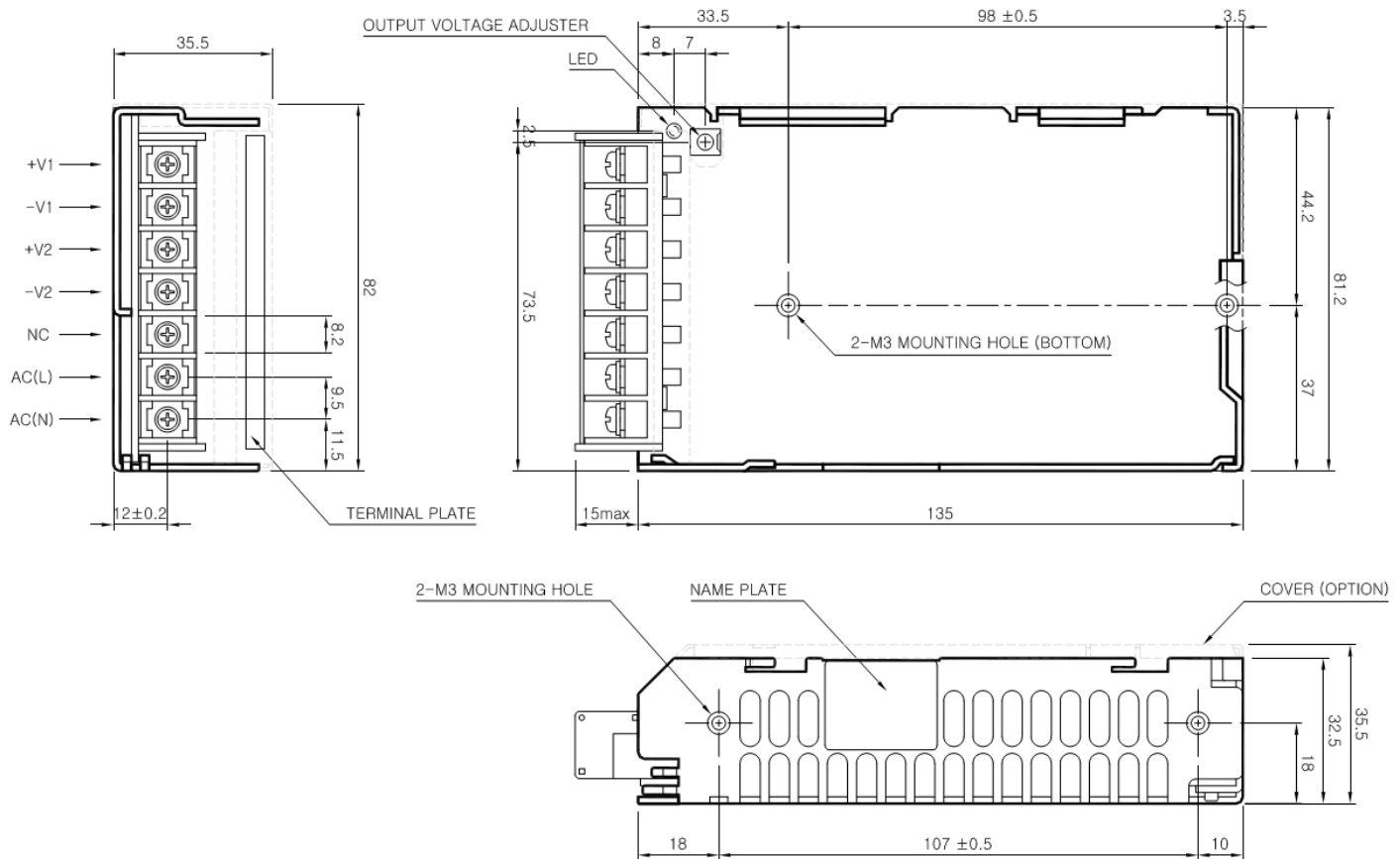


# ETA-USA

THE POWER PROFESSIONALS

## DIMENSIONAL DRAWING (mm)

WRB21FWX-O WRB22FWX-O WRB23FWX-O WRB24FWX-O WRB25FWX-O



Mark	Pin Connection
L	AC input line
N	AC input neutral
NC	AC Chassis Ground
+V1	DC V1 Output
-V1	DC V1 Ground
+V2	DC V2 Output
-V2	DC V2 Ground



# ETA-USA

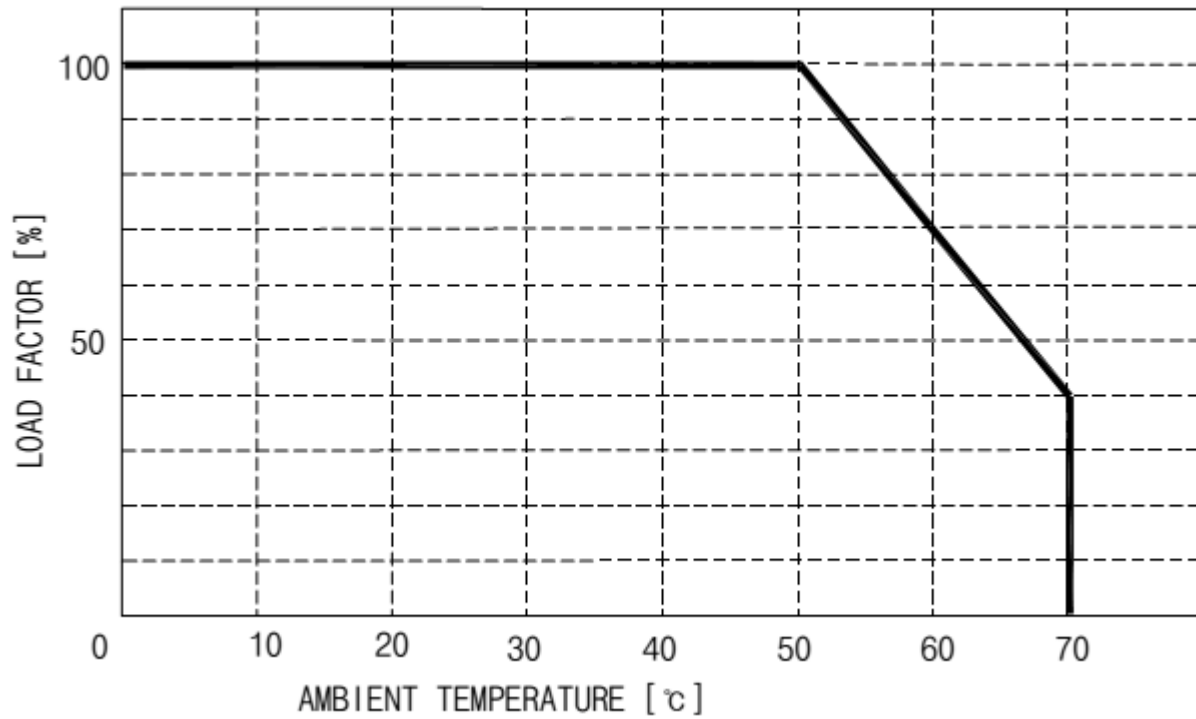
16170 Vineyard Blvd, Suite 180 Morgan Hill, CA 95037 <http://www.eta-usa.com>  
 Toll-free (US only): 800-ETA-POWR (800-382-7697) Telephone: 408 778-2793 FAX: 408-779-2753



# ETA-USA

THE POWER PROFESSIONALS

## DERATING CURVE AND RECCOMENDED MOUNTING DIAGRAM



# ETA-USA

16170 Vineyard Blvd, Suite 180 Morgan Hill, CA 95037 <http://www.eta-usa.com>  
Toll-free (US only): 800-ETA-POWR (800-382-7697) Telephone: 408 778-2793 FAX: 408-779-2753

## X-ON Electronics

Largest Supplier of Electrical and Electronic Components

*Click to view similar products for [Switching Power Supplies](#) category:*

*Click to view products by [ETA](#) manufacturer:*

Other Similar products are found below :

[70841011](#) [73-551-0005](#) [73-551-0048](#) [PS3E-B12F](#) [PS3E-E12F](#) [AAD600S-4-OP](#) [R22095](#) [KD0204](#) [9021](#) [LDIN100150](#) [LPM000-BBAR-01](#)  
[LPX17S-C](#) [EVS57-10R6/R](#) [FP80](#) [FRV7000G](#) [22929](#) [PS3E-F12F](#) [CQM1IA121](#) [40370121900](#) [VI-PU22-EXX](#) [40370121910](#) [LDIN5075](#)  
[LPM615-CHAS](#) [LPX140-C](#) [09-160CFG](#) [70841025](#) [VPX3000-CBL-DC](#) [LPM000-BBAR-05](#) [LPM000-BBAR-08](#) [LPM124-OUTA1-48](#)  
[LPM000-BBAR-07](#) [LPM109-OUTA1-10](#) [LPM616-CHAS](#) [08-30466-1055G](#) [08-30466-2175G](#) [08-30466-2125G](#) [DMB-EWG](#) [TVQF-1219-](#)  
[18S](#) [6504-226-2101](#) [CQM1IPS01](#) [SP-300-5](#) [CQM1-IPS02](#) [VI-MUL-ES](#) [22829](#) [08-30466-0065G](#) [VI-RU031-EWWX](#) [08-30466-0028G](#) [VI-](#)  
[LUL-EU](#) [EP3000AC48INZ](#) [VP-C2104853](#)