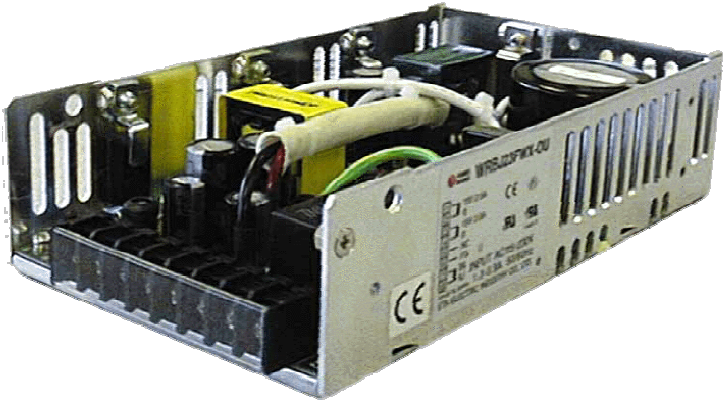


# 65 WATT AC-DC CONVERTER 2 CHANNELS WRBJ-FWX SERIES



### General Description

Universal or auto-ranging inputs for world wide use. Output power from 15 to 600 watts. Up to 4 outputs available. Approved to international safety standards.

**Dimensions: 42.5Wx174Lx97H(mm)**  
(570g)



### Options

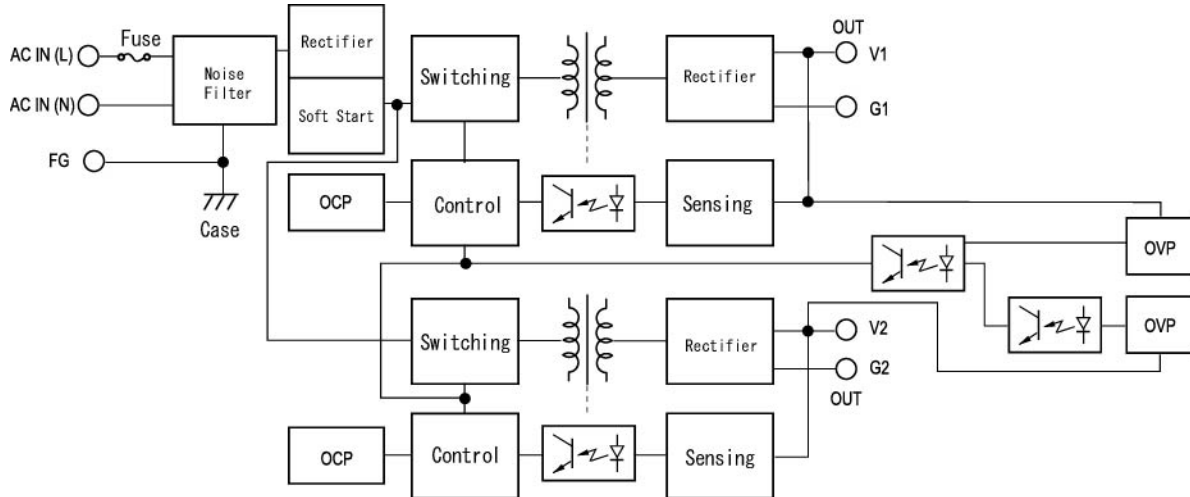
N/A

### Features

1. Universal input 85-264VAC
2. EMI: meets EN 55022/B, FCC/B
3. Compact size
4. High efficiency and reliability
5. Output voltage adjustable
6. Over voltage protection

Specifications <b>WRBJ**FWX-U</b>	Model					
	WRBJ21FWX-U	WRBJ21FWX-B-U	WRBJ22FWX-B-U	WRBJ23FWX-U	WRBJ24FWX-U	WRBJ24FWX-B-U
<b>65WATTS/2 OUTPUTS</b>						
<b>Input Characteristic</b>						
Input Voltage	AC115-230V					
Input Current	1.3-0.9A					
Input Range	AC85-264V(DC110-350V)					
Input Frequency	50/60Hz					
Input Frequency Range	47-440Hz					
Phase	Single					
Inrush Current *1	34.5A(maximum) at AC115/69A(maximum) at AC230V					
Efficiency [%] (typical) *2	78	80	78	81	77	77

## BLOCK DIAGRAM



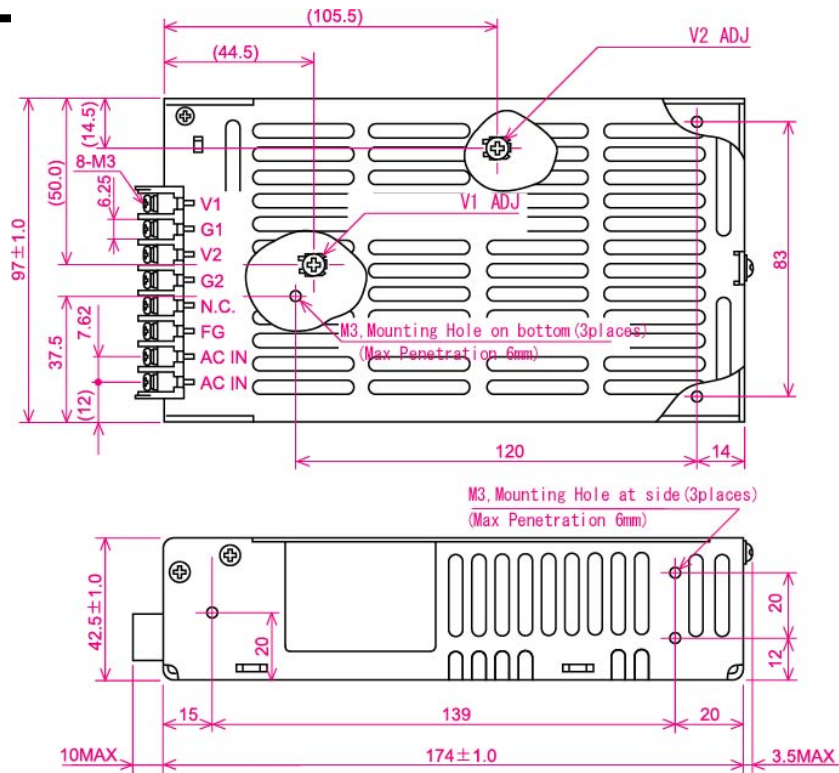
Output WRBJ**FWX-U(65WATTS/2 OUTPUTS)	Model											
	WRBJ21FWX-U		WRBJ21FWX-B-U		WRBJ22FWX-B-U		WRBJ23FWX-U		WRBJ24FWX-U		WRBJ24FWX-B-U	
Output Voltage [V]	5	24	24	5	12	12	15	15	5	12	12	5
Output Current [A]	7.5	1.1	1.8	4.5	3.5	2.0	2.5	2.0	7.5	2.3	3.5	4.5
		P1.5	P2.3		P4.5					P2.8	P4.5	
Voltage Adjust Range	+/-10% of Rated Output Voltage(at no load within the input range)											
Ripple and Noise[mVp-p](maximum) *3	100	290	290	100	170	170	200	200	100	170	170	100
Regulation												
a.StatisticLine Regulation [mV](maximum)	25	120	120	25	60	60	75	75	25	60	60	25
b.StatisticLoad Regulation [mV](maximum)	50	240	240	50	120	120	150	150	50	120	120	50
c.Temperature Coefficient *4	0.03%/°C											
d.Drift[mV](maximum) *5	40	135	135	40	75	75	90	90	40	75	75	40
e.Dynamic Load Regulation [mV](typical) *6	not specified											
f.Recovery Time *6	not specified											
Rise up time	200mS(maximum) at 25°C and rated input/output											
Hold up time	12mS(minimum) at 25°C and rated input/output											
<b>Functions</b>												
Over current Protection	Current Limiting with automatic recovery											
≥110% of Rated Output Current[A]	8.25	□Peak	□Peak	4.95	□Peak	2.2	2.75	2.2	8.25	□Peak	□Peak	4.95
Over voltage Protection	Output shutdown(to reset, leave 1minute after shut-off)											

≥110% of Rated Output Voltage[V]	5.5	26.4	26.4	5.5	13.2	13.2	16.5	16.5	5.5	13.2	13.2	5.5
Remote Sense	not available											
Remote On/Off	not available											
Power Fail Detection	not available											
Parallel/series Operation	not available											
<b>Environmental</b>												
Operating Temperature *7	-5 to +40°C											
Operating Humidity	30 to 85%RH(non-condensing)											
Storage Temperature	-20 to +85°C											
Storage Humidity	10 to 85%RH(non-condensing)											
Withstanding Voltage	Primary-Secondary AC3,000V for 1minute											
	Primary-Frame Ground AC2,500V for 1minute											
	Secondary-Frame Ground AC500V for 1minute											
Isolation Resistance	Primary-Secondary-Frame Ground 100MΩ(minimum) by DC500V insulation tester											
Vibration	5-10Hz:10mm double amplitude,10-55Hz:19.6m/s <sup>2</sup> ,20minutes' period for 60minutes each along X,Y,Z axes(non-operating)											
Shock	294m/s <sup>2</sup>											
Cooling	Convection											
Leakage Current	1mA(maximum) at 25°C, rated input/output and rated input frequency											
Line Conducted Noise	Built to meet VDE0871 Class B											
	Built to meet VCCI Class B											
	Built to meet FCC Part15-B Class B											
Safety	UL: UL1950											
	C-UL: CSA C22.2 No.234(Level 3)											
	VDE EN60950, IEC950, VDE0805											
<input type="checkbox"/> Weight (typical)	570g /open frame type:490g											
<input type="checkbox"/> MTBF [H]	350,000											
<input type="checkbox"/> Switching Frequency[kHz](typical) *8	60	40	60	40	80	50	50	40	60	40	80	40

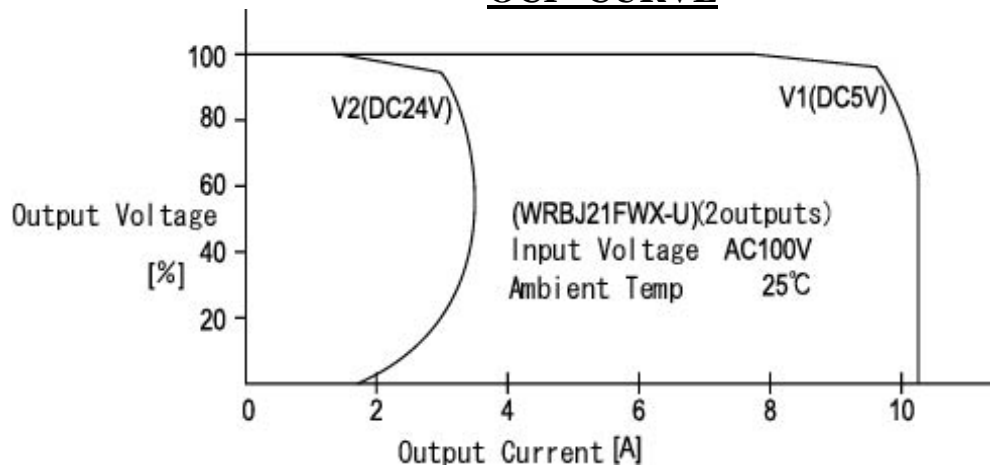
Conditions:

- \*1 at cold start
- \*2 at DC130V input and rated output
- \*3 measured by a bayonet probe at output connector at a 0 to 100MHz bandwidth
- \*4 at -5 to +40°C/open frame type: -5 to +50°C
- \*5 for 7hour period after 1hour warm-up at 25°C and rated input/output
- \*6 when output current changed from 25% to 75% of rated output current rapidly at AC115/230V input
- \*7 safety approved at 25°C
- \*8 variable on input voltage and load conditions

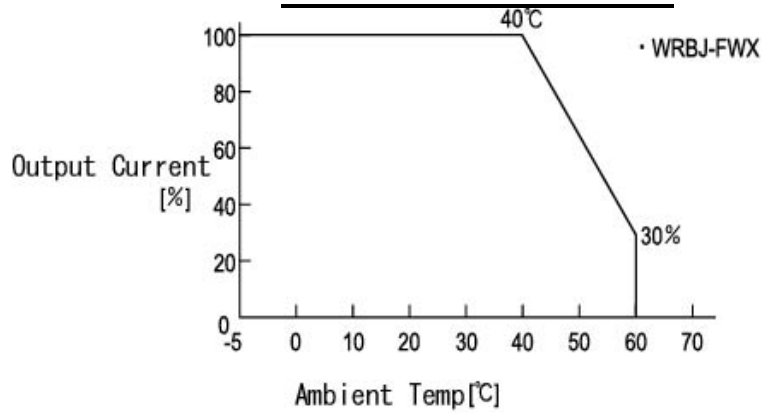
## **DIMENSION DIAGRAM**



### OCP CURVE

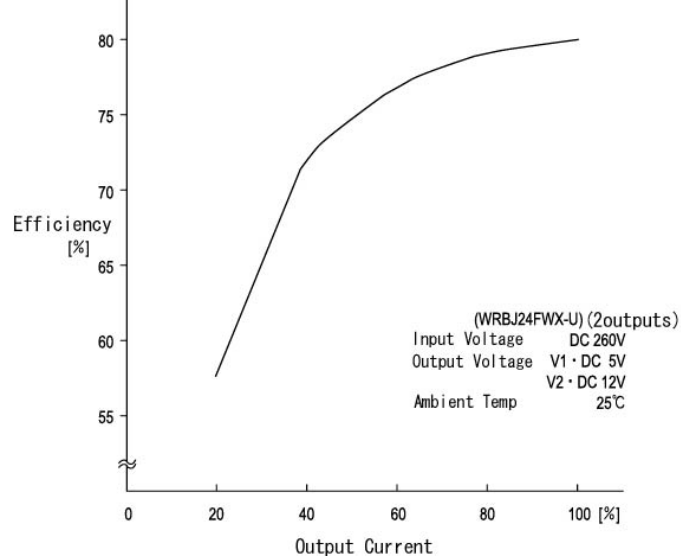


## DERATING CURVE



※For safety specification, contact ETA Sales Representative

## EFFICIENCY CURVE



## X-ON Electronics

Largest Supplier of Electrical and Electronic Components

*Click to view similar products for [Switching Power Supplies](#) category:*

*Click to view products by [ETA](#) manufacturer:*

Other Similar products are found below :

[70841011](#) [73-551-0005](#) [73-551-0048](#) [PS3E-B12F](#) [PS3E-E12F](#) [AAD600S-4-OP](#) [R22095](#) [KD0204](#) [9021](#) [LDIN100150](#) [LPM000-BBAR-01](#)  
[LPX17S-C](#) [EVS57-10R6/R](#) [FP80](#) [FRV7000G](#) [22929](#) [PS3E-F12F](#) [CQM1IA121](#) [40370121900](#) [VI-PU22-EXX](#) [40370121910](#) [LDIN5075](#)  
[LPM615-CHAS](#) [LPX140-C](#) [09-160CFG](#) [70841025](#) [VPX3000-CBL-DC](#) [LPM000-BBAR-05](#) [LPM000-BBAR-08](#) [LPM124-OUTA1-48](#)  
[LPM000-BBAR-07](#) [LPM109-OUTA1-10](#) [LPM616-CHAS](#) [08-30466-1055G](#) [08-30466-2175G](#) [08-30466-2125G](#) [DMB-EWG](#) [TVQF-1219-](#)  
[18S](#) [6504-226-2101](#) [CQM1IPS01](#) [SP-300-5](#) [CQM1-IPS02](#) [VI-MUL-ES](#) [22829](#) [08-30466-0065G](#) [VI-RU031-EWWX](#) [08-30466-0028G](#) [VI-](#)  
[LUL-EU](#) [EP3000AC48INZ](#) [VP-C2104853](#)