



ETA-USA

HIGH QUALITY SWITCHING POWER SUPPLIES

AC/DC SWITCHING POWER SUPPLY
SINGLE CHANNEL OUTPUT
360 WATTS
UNIVERSAL INPUT

ZWF360SX-F-W SERIES



Application

Broad needs

Input

Input Voltage Range:	AC90~264V
Frequency:	50/60 Hz
Frequency Range:	47~63 Hz
Phase:	Single
Inrush Current:*1, *4	<25A peak@115VAC; <50A peak@230VAC cold start at 25 degrees C
Input Current (rms):	4.5A max at 115VAC; 2.25A at 230VAC
Power Factor:	>0.95 at 115VAC; >0.9 at 230VAC full load

General Description

Features

1. Current sharing (" -T"), up to 4 units can be paralleled within 10% accuracy at full load (optional)
2. Short circuit protection
3. Over load protection
4. Over voltage protection
5. Remote inhibit function
6. >83% efficiency typical at 115VAC

+5Vsb/0.25A convection cooling, 1.0A forced air cooling
+12V/1A DC fan output





ETA-USA

HIGH QUALITY SWITCHING POWER SUPPLIES

Output Characteristic	Unit	Models						
		ZWF360-12SX-F-W	ZWF360-24SX-F-W	ZWF360-30SX-F-W	ZWF360-36SX-F-W	ZWF360-48SX-F-W	ZWF360-54SX-F-W	ZWF360-57SX-F-W
Output Voltage	Vdc	12	24	30	36	48	54	57
Output Current (with fan)	A	30	15	12	10	7.5	6.67	6.32
Max Output Current (convection cooling: 270W max)	A	22.5	11.25	9	7.5	5.63	5.01	4.74
Ripple & Noise(max)	mVpp	120	240	300	360	480	540	570
Hold up time	mS	20 mS at 360W load, 115VAC input						
Regulation								
O/P Regulation [max]	mV	±1% at 25°C with input and output adjusted to factory settings						
Efficiency *1	%	At AC100V 83% At AC 200V 86%						
Power Factor *1		>0.95 @ 115VAC / >0.9 @ 230VAC						





ETA-USA

HIGH QUALITY SWITCHING POWER SUPPLIES

Environmental Specification	
Operating Temperature*3	0 to + 70 C Derating 2.5% / C from 50 C to 70 C
Operating Humidity	5~95 % RH non condensing
Cooling	Forced air cooling (" - T" or " - S") (360W max) ; convection cooling (270W max)
Leakage current	<300 A @ 264VAC
MTBF	>100,000 hours
Environmental Agencies	
Safety	UL60 950 - 1, CSA - C22.2 No. 950 - 1 , TUV EN60 950 - 1, CB IEC60 950 - 1
EMI Safety	EN55022 Class B , FCC Part 15 Class B, CE
Function/Protection	
Over current Protection	110% to 150% max rating. Auto recovery
Over voltage Protection	130% of output. Shutdown and latch off
Remote Sense	Not Available
Remote Control	Not Available
Series Operation	Available
Parallel Operation	Available, up to 4
Standby	5V/1A standby output, 12V/1A for fan
Short Circuit Protection	Auto recovery
Mechanical	
Dimension and weight [mm] [g]	
(no fan)	203.2L x 118.5W x 38.5H 860g
End Fan (" - S")	229.4L x 118.5W x 41.5H 980g
Top Fan (" - T")	203.2L x 118.5W x 66.0H 990g

Conditions:

*1 Rated input and Rated output

*2 at Output current quick change 25% to 75%

*3 At 100% load (convection cooling)

*4 Cold start at 25 C Ambient temp.



ETA USA

16170 Vineyard Blvd. Suite 180, Morgan Hill, CA 95037

Phone: 1-800-ETA-POWR, (408) 778-2793 Fax: (408) 779-2753

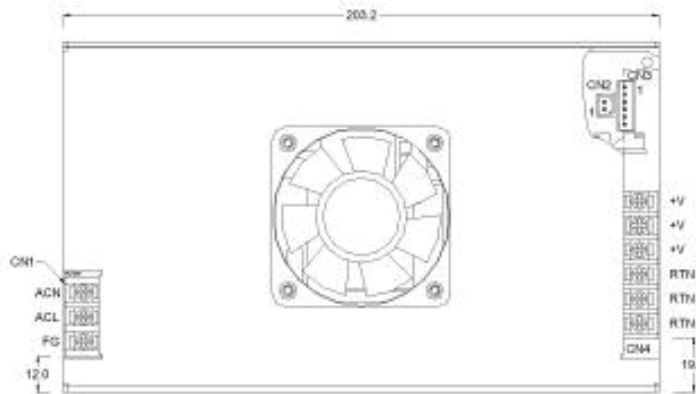
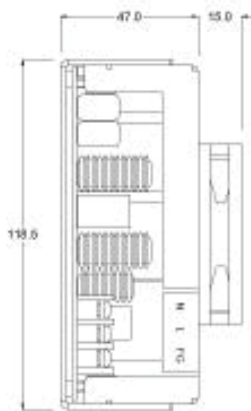
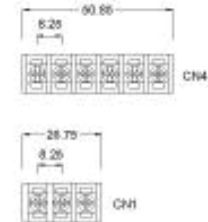
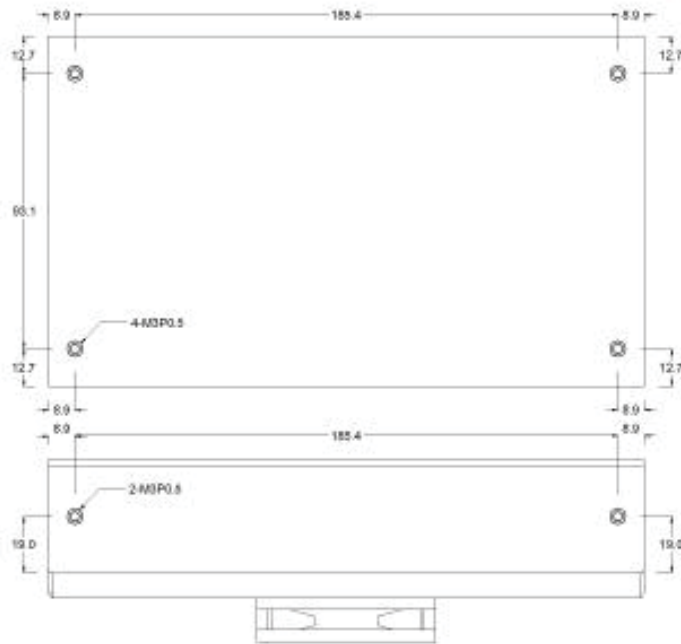
Visit us at: www.eta-usa.com

email at: sales@eta-usa.com



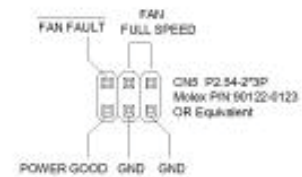
ETA-USA

HIGH QUALITY SWITCHING POWER SUPPLIES



CN3: P2.5-6P (OPTION) Molex P/N:48152-0210 OR Equivalent	PIN1	Current Sense
	PIN2	Inhibit
	PIN3	GND
	PIN4	5Vsb
	PIN5	-Sense
	PIN6	+Sense

CN2: P2.5-3P Molex P/N:48152-0210 OR Equivalent	PIN1	5Vsb
	PIN2	GND
FAN1: P2.5-3P Molex P/N:48153-0210 OR Equivalent	PIN1	12V FAN+
	PIN2	12V FAN-





ETA-USA

HIGH QUALITY SWITCHING POWER SUPPLIES

MATCHING CONNECTORS

CN1: Input Connector

3-Pole Terminal block pitch: 8.25mm rate 20A/300V

Pin #	Signal
1	AC Neutral
2	AC Line
3	F.G.

CN2: +5VSB Output Connector

JST B2B-XH-A pitch: 2.5mm or equivalent, mates w female housing JST XHP-2 or equivalent

Pin #	Signal
1	+5VSB
2	GND

CN3: Remote Sense Connector

JST B6B-XH-A pitch: 2.5mm or equivalent, mates w female housing JST XHP-6 or equivalent

Pin #	Signal
1	Sense +
2	Sense -
3	+5VSB
4	GND
5	INHIBIT (Remote control)
6	Current Share

INHIBIT: Logic level HIGH(+5V): Enable, Logic level LOW: Disable(0V)

CN4: Main Output Connector

6-Pole Terminal block pitch: 8.25mm rate 20A/300V

Pin #	Signal
1	+Vo
2	+Vo
3	+Vo
4	RTN
5	RTN
6	RTN

FAN1: Fan Output Connector

JST S2B-XH-A pitch: 2.5mm or equivalent, mates w female housing JST XHP-2 or equivalent

Pin #	Signal
1	+12VDC FAN+
2	+12VDC FAN-

FAN2: Fan Output Connector

JST B2B-XH-A pitch: 2.5mm or equivalent, mates w female housing JST XHP-2 or equivalent

Pin #	Signal
1	+12VDC FAN+
2	+12VDC FAN-



ETA USA

16170 Vineyard Blvd. Suite 180, Morgan Hill, CA 95037
Phone: 1-800-ETA-POWR, (408) 778-2793 Fax: (408) 779-2753

Visit us at: www.eta-usa.com
email at: sales@eta-usa.com



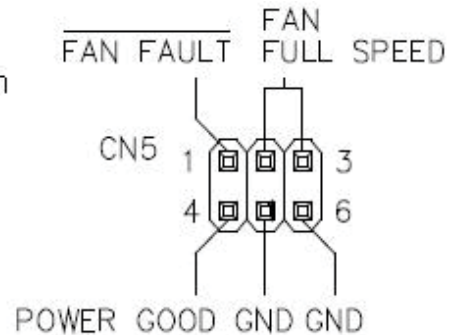
ETA-USA

HIGH QUALITY SWITCHING POWER SUPPLIES

CN5: Fan control & Power Good Signal Connector

JST RF-H062TD-1130 pitch: 2.54mm or equivalent, mates with female housing JST RF-06 or equivalent

Pin #	Signal	
1	FAN FAULT	
2, 3	FAN FULL SPEED	
4	POWER GOOD	
5	GND	
6	GND	

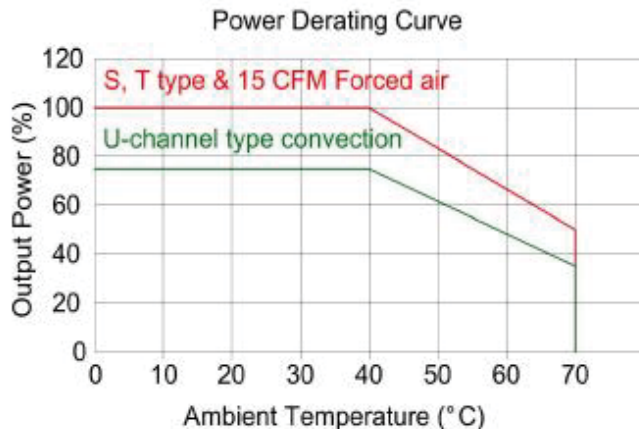


FAN FAULT: Fan status indication, Fan Good: Logic level HIGH(+5V), Fan Fault: Logic level LOW(0V)

FAN FULL SPEED: Short these 2 pins (#2 and #3) with mini-jumper to get highest fan speed

POWER GOOD: Power Good: Logic level HIGH(+5V), Power Fault: Logic LOW(0V)

DERATING CURVE



ETA USA

16170 Vineyard Blvd. Suite 180, Morgan Hill, CA 95037
Phone: 1-800-ETA-POWR, (408) 778-2793 Fax: (408) 779-2753

Visit us at: www.eta-usa.com
email at: sales@eta-usa.com

X-ON Electronics

Largest Supplier of Electrical and Electronic Components

Click to view similar products for [Switching Power Supplies](#) category:

Click to view products by [ETA](#) manufacturer:

Other Similar products are found below :

[70841011](#) [73-551-0005](#) [73-551-0048](#) [PS3E-B12F](#) [PS3E-E12F](#) [AAD600S-4-OP](#) [R22095](#) [KD0204](#) [9021](#) [LDIN100150](#) [LPM000-BBAR-01](#)
[LPX17S-C](#) [EVS57-10R6/R](#) [FP80](#) [FRV7000G](#) [22929](#) [PS3E-F12F](#) [CQM1IA121](#) [40370121900](#) [VI-PU22-EXX](#) [40370121910](#) [LDIN5075](#)
[LPM615-CHAS](#) [LPX140-C](#) [09-160CFG](#) [70841025](#) [VPX3000-CBL-DC](#) [LPM000-BBAR-05](#) [LPM000-BBAR-08](#) [LPM124-OUTA1-48](#)
[LPM000-BBAR-07](#) [LPM109-OUTA1-10](#) [LPM616-CHAS](#) [08-30466-1055G](#) [08-30466-2175G](#) [08-30466-2125G](#) [DMB-EWG](#) [TVQF-1219-](#)
[18S](#) [6504-226-2101](#) [CQM1IPS01](#) [SP-300-5](#) [CQM1-IPS02](#) [VI-MUL-ES](#) [22829](#) [08-30466-0065G](#) [VI-RU031-EWWX](#) [08-30466-0028G](#) [VI-](#)
[LUL-EU](#) [EP3000AC48INZ](#) [VP-C2104853](#)