

1MHz High Output current High Efficiency Synchronous Step-Up Converter

DESCRIPTION

ETA1090 is an ETA Solutions' high efficiency, high frequency synchronous Step-Up converter, capable of delivering output current up to 3A at a 5V output from a 3.6V input. With a low $R_{ds(on)}$ Power MOS and a built-in synchronous rectifier, its efficiency can be as high as 91% at a 5V/2.1A load. This greatly minimizes power dissipation and reduces heat on the IC, making it ideal for applications that require small board space and have stringent temperature constraints, such as power banks and mobile devices. ETA1090 also incorporates ETA Solutions' True-Shutoff technology that protects against overload and short-circuit conditions. All of these features are integrated in a tiny DFN3x3-12 package. With 1MHz switching frequency, small external input and output capacitors and inductor can be used.

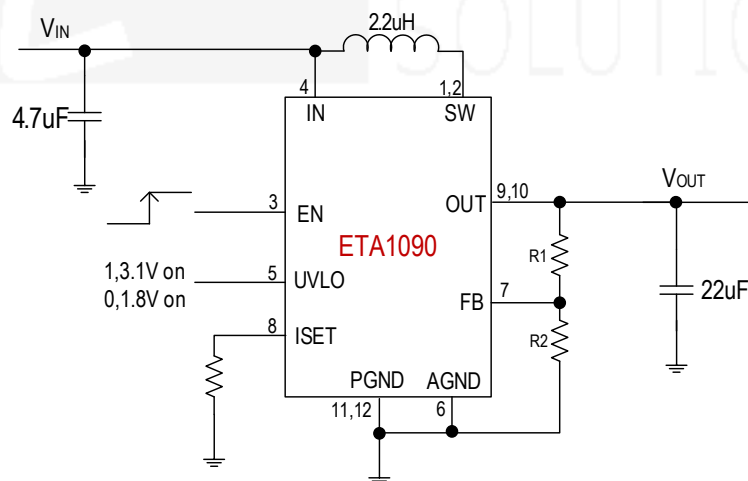
FEATURES

- ◆ Up to 97% Energy Converting Efficiency
- ◆ Up to 3A output current at 5V output, 3.6V input
- ◆ Externally adjustable output voltage
- ◆ True Shut off during shutdown and output short-circuit protection
- ◆ Thermal Shutdown
- ◆ DFN3x3-12 Package

APPLICATIONS

- ◆ 3G/4G PCI-e module
- ◆ Power Bank
- ◆ Mobile 3G/4G Mi-Fi
- ◆ Mobile Bluetooth music player and speaker

TYPICAL APPLICATION

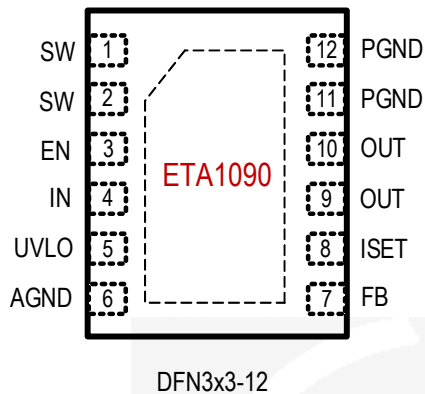


ORDERING

INFORMATION

PART No.	PACKAGE	TOP MARK	Pcs/Reel
ETA1090D3M	DFN3x3-12	ETA1090 <u>YWW2L</u>	5000

PIN CONFIGURATION



ABSOLUTE MAXIMUM RATINGS

(Note: Exceeding these limits may damage the device. Exposure to absolute maximum rating conditions for long periods may affect device reliability.)

All Pins Voltage.....	-0.3V to 5.5V
Operating Temperature Range	-40°C to 85°C
Storage Temperature Range	-55°C to 150°C
Thermal Resistance θ_{JC} θ_{JA}	
DFN3X3-12.....	3.....48 °C/W
Lead Temperature (Soldering, 10sec)	260°C
ESD HBM (Human Body Mode)	3KV

ELECTRICAL CHARACTERISTICS

(V_{IN} = 3.3V, V_{OUT} = 3.8V, AGND = PGND, unless otherwise specified. Typical values are at T_A = 25°C.)

PARAMETER	CONDITIONS	MIN	TYP	MAX	UNITS
Input Voltage Range	UVLO=GND	1.9		5.5	V
Quiescent Current	EN=IN, No load, Not switching		50	80	μ A
Shutdown Supply Current at V_{IN}	V_{EN} =GND		0.5	5	μ A
V_{UVLO}	UVLO=GND, IN rising	1.7	1.8	1.9	V
	UVLO=IN, IN rising		3.1		V
VIN UVLO hysteresis			0.3		V
Feedback Voltage	V_{OUT} =2.1 to 5V	0.588	0.6	0.612	V
FB Leakage Current			0		nA
Output Over Voltage Protection	Hysteresis=500mV		6		V
NMOS Switch On Resistance			55		m Ω
PMOS Switch On Resistance			65		m Ω
SW Leakage Current	V_{OUT} =5V, V_{SW} =0 or 5V, V_{EN} =GND			10	μ A
Down Mode Current limit			2.5		A
Down Mode Voltage at V_{OUT}	V_{OUT} Rising		V_{IN} -0.2		V
	V_{OUT} falling		V_{IN} -0.5		V
Switching Frequency		0.75	1	1.25	MHz
Short Circuit Hiccup time	ON		3.75		ms
	OFF		75		ms
NMOS Switch Current Limit	R_{ISET} =51k Ω	2.6	3.6	4.6	A
	R_{ISET} =30k Ω		6		A
EN Input Current	V_{EN} =3V		1.5	2	μ A
EN logic high voltage		1.6			V

EN logic low voltage		0.6	V
UVLO Input Current	$V_{UVLO}=3V$	1.5	μA
UVLO logic high voltage		1.5	V
UVLO logic low voltage		0.6	V
Thermal Shutdown	Rising, Hysteresis=20°C	150	°C

PIN DESCRIPTION

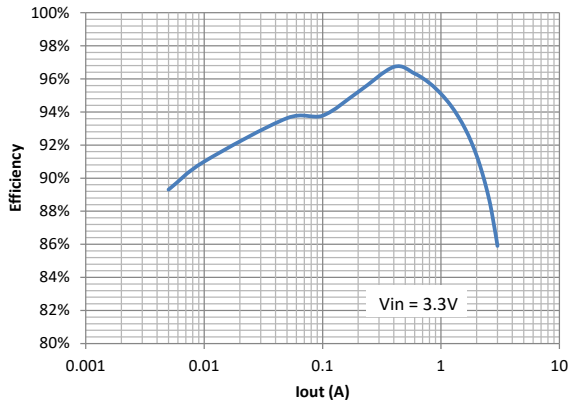
PIN #	NAME	DESCRIPTION
1,2	SW	Switching node of the Switching Regulator. Connect a 1 μ H to 2.2 μ H inductor between IN and SW pin.
3	EN	Enable pin for the IC. Drive this pin high to enable the IC, low or floating to disable.
4	IN	Input pin. Bypass IN to GND with a 10 μ F or greater ceramic capacitor.
5	UVLO	Select IN UVLO.
6, Thermal pad	AGND	Analog ground pin. AGND is internally connected to the analog ground of the control circuitry.
7	FB	Feedback Input. Connect an external resistor divider from the output to FB and GND to set V_{OUT} .
8	ISET	<p>Programmable peak-current-limit control. Connect an external resistor (Riset) between ISET and AGND to set the peak NMOS current-limit threshold. The current-limit threshold may be adjusted from 0.6A to 6.0A, And if follows following equation:</p> $I_{peak} = \frac{180}{R_{iset}} \times 1000 (A)$ <p>If $I_{peak} > 6A$ by setting Riset, then the setting is invalid, I_{peak} remains 6A.</p>
9,10	OUT	Output pin. Bypass with a 22 μ F or larger ceramic capacitor closely between this pin and ground.
11,12	PGND	Power ground pin.

TYPICAL CHARACTERISTICS

(Typical values are at $T_A = 25^\circ\text{C}$ unless otherwise specified.)

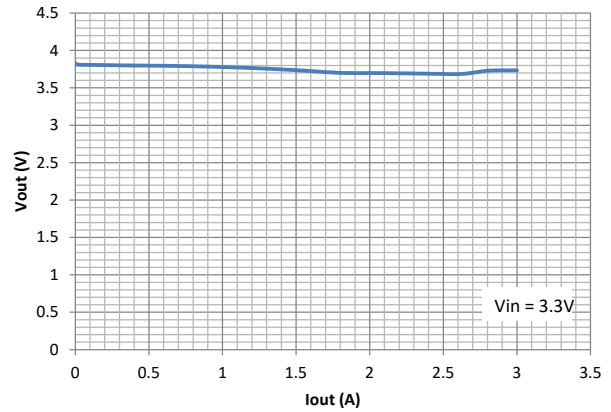
Efficiency Vs. I_{out}

$V_{in}=3.3\text{V}$, $V_{out}=3.8\text{V}$



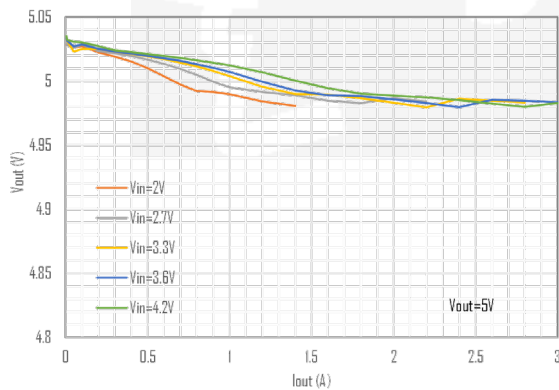
V_{out} Vs. I_{out}

$V_{in}=3.3\text{V}$, $V_{out}=3.8\text{V}$



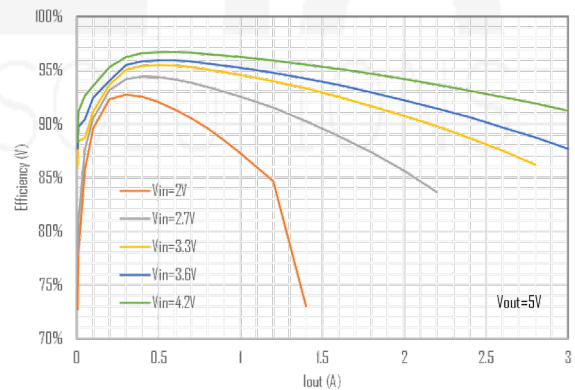
V_{out} Vs. I_{out}

V_{out} Vs. I_{out}



Efficiency Vs. I_{out}

Efficiency Vs. I_{out}



APPLICATION INFORMATION

Loop Operation

The ETA1090 is a wide input range, high-efficiency, DC/DC step up switching regulator, integrated with a $65\text{m}\Omega$ Low Side Main MOSFET and $55\text{m}\Omega$ synchronous MOSFET. It uses a PWM current-mode control scheme. An error amplifier integrates error between the FB signal and the internal reference voltage. The output of the integrator is then compared to the sum of a current-sense signal and the slope compensation ramp. This operation generates a PWM signal that modulates the duty cycle of the power MOSFETs to achieve regulation for output voltage.

The output voltage is adjustable by external resistor. The peak current of the NMOS switch is also sensed to limit the maximum current flowing through the switch and the inductor. The maximum peak current limit is set to 6A and can be tuned by external resistor. An internal temperature sensor prevents the device from getting overheated in case of excessive power dissipation.

Light Load Operation

Traditionally, a fixed constant frequency PWM DC/DC regulator always switches even when the output load is small. When energy is shuffling back and forth through the power MOSFETs, power is lost due to the finite RDSOns of the MOSFETs and parasitic capacitances. At light load, this loss is prominent and efficiency is therefore very low. ETA1090 employs a proprietary control scheme that improves efficiency in this situation by enabling the device into a power saving mode during light load, thereby extending the range of high efficiency operation.

Short-Circuit Protection

Unlike most step-up converters, the ETA1090 allows for short circuits on the output. In the event of a short circuit, the device first turns off the NMOS when the sensed current reaches the current limit. After V_{OUT} drops below V_{IN} the device then enters a linear charge period with the current limited same as with the start-up period. In addition, the thermal shutdown circuits disable switching if the die temperature rises above 150°C.

Down Mode ($V_{IN} > V_{OUT}$) Operation

The ETA1090 will continue to supply the output voltage even when the input voltage exceeds the output voltage. Since the PMOS no longer acts as a low-impedance switch in this mode, power dissipation increases within the IC to cause a sharp drop in efficiency. Limit the maximum output current to maintain an acceptable junction temperature.

Output Voltage Setting

The ETA1090 has an internal reference voltage set at 0.6V as a feedback voltage for setting external output voltage. By connecting a resistor (R1) between V_{out} and FB, and a resistor (R2) between FB and GND, one can set the output voltage by following equation, and please make sure the output voltage is set higher than the maximum input voltage

$$V_{out} = 0.6 \times (R1+R2)/R2$$

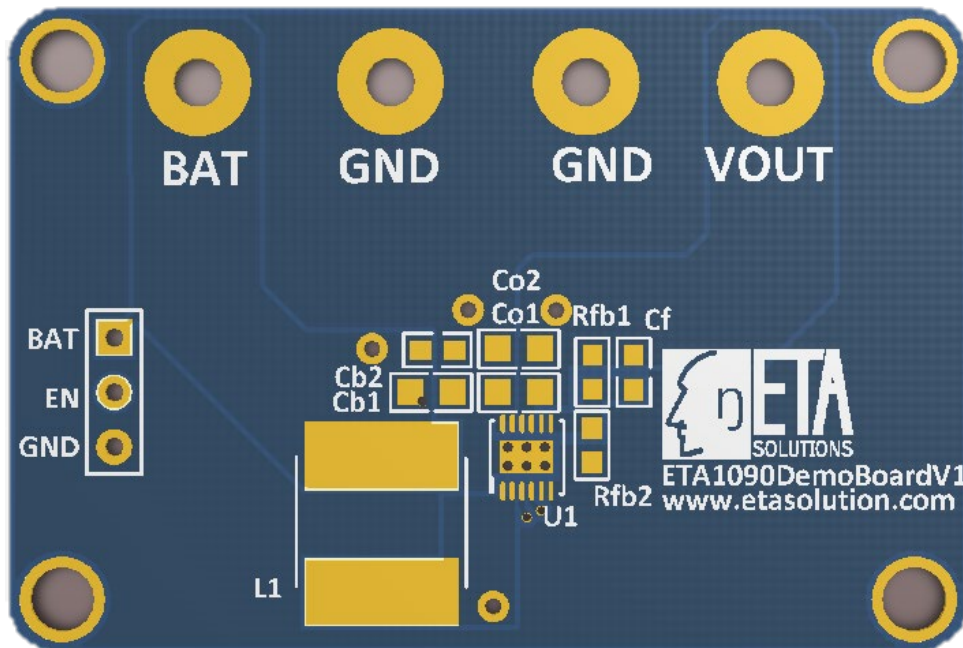
Switching Peak Current Setting

The ETA1090 allows one to set the switching peak current by external resistor (Riset). The switching peak current limit is more like an input current limit given a fixed inductor value. If one need an output current limit, input voltage, output voltage, and efficiency have to be all taken into account to calculate the input current at first. The switching peak current setting follows the equation: $I_{peak} = (180/Riset) * 1000$ (A)

PCB GUIDELINES

A typical ETA1090 demo board is shown below, where you may find only a few peripheral devices are needed. The BAT printed on the PCB is actually the Vin terminal. Cb1 and Cb2 are the 2 input capacitors. Co1 and Co2 are the 2 output capacitors. Rfb1 and Rfb2 are used to setting the output voltage while the Cf (feed-forward capacitor) may help the loop stability. But Cf is not required, one may add it when needed.

Please place the 2 output capacitors (Co1, and Co2) as close to the chip (U1) as possible. The input capacitor Cb1 is also recommended to be placed close to chip.

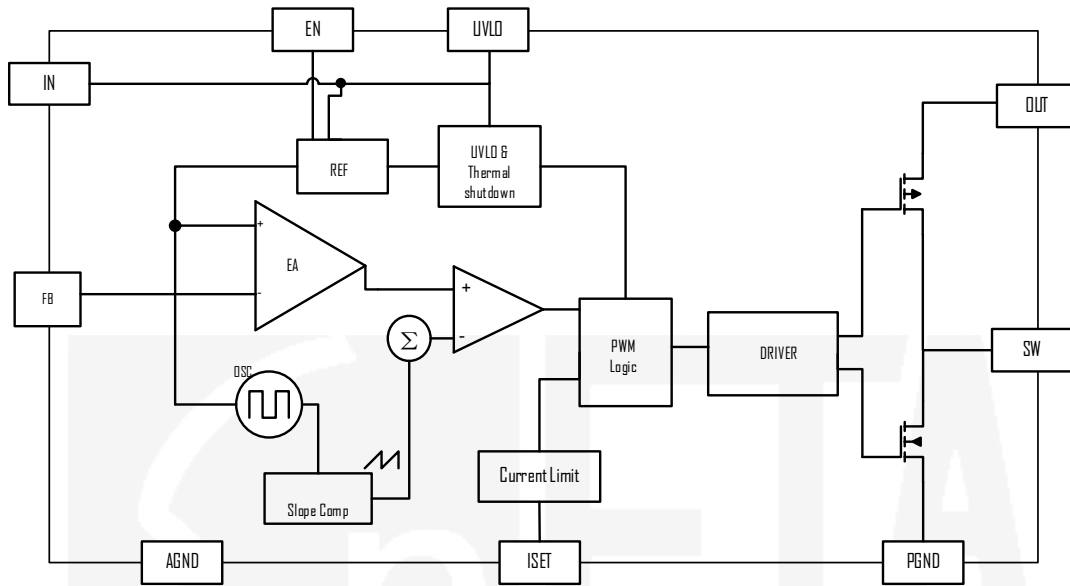


THERMAL CONSIDERATIONS

As the ETA1090 has a power MOSFET with internal current limit up to 6A, heat dissipation is always needed to be considered when designing the PCB for such high-power step-up converter. ETA1090 employs a package of DFN3x3-12 with only 3 °C/W thermal resistance from chip to its thermal pad. So it is crucial for one to lay a large area of copper (in most case, it is the large ground plane), directly contacting the thermal pad of the chip through more than 2 large vias from bottom, to spread the heat away to the ambient environment as fast as possible.

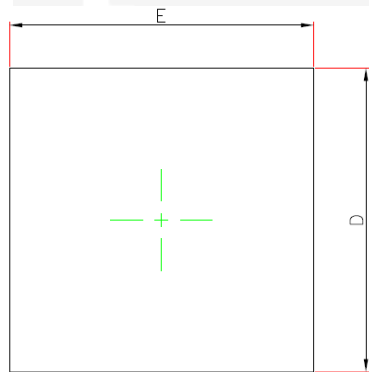
A thicker copper foil is always recommended to help the heat dissipation, so a PCB with 2oz copper thickness is a much better choice than that of 1oz copper.

BLOCK DIAGRAM



PACKAGE OUTLINE

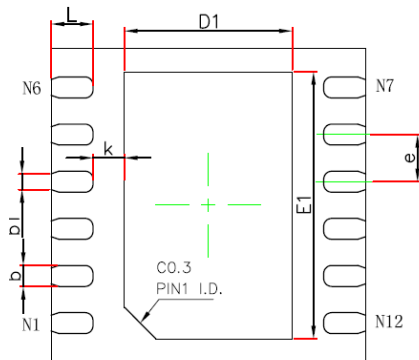
Package: DFN3x3-12



TOP VIEW



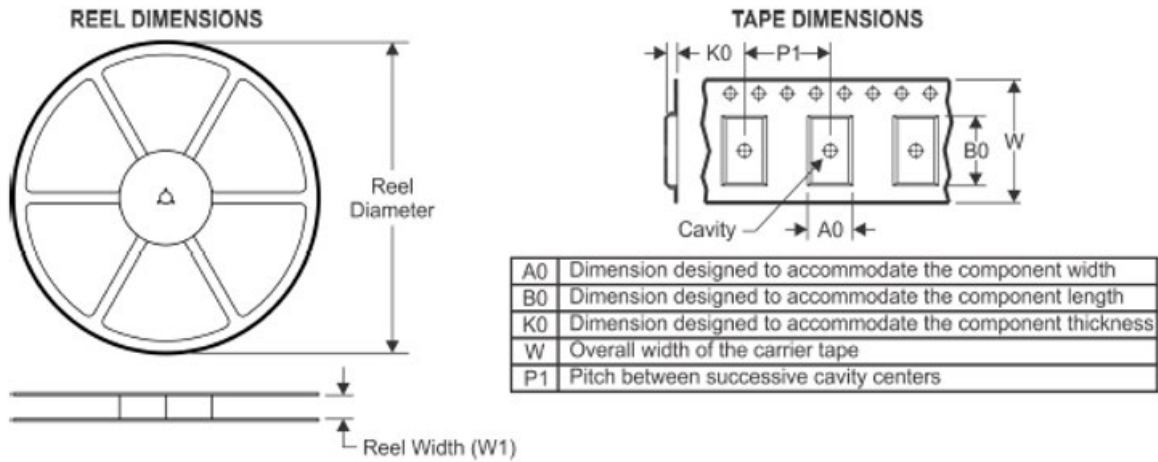
SIDE VIEW



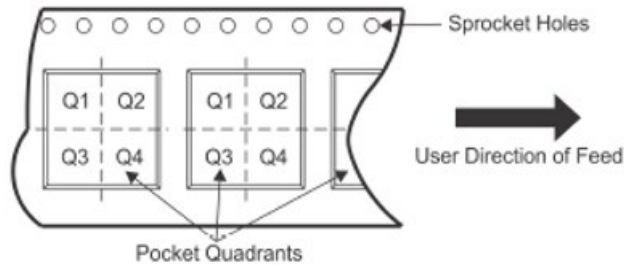
BOTTOM VIEW

SYMBOL	MILLIMETER	
	MIN	MAX
A	0.70	0.80
A1	0.00	0.05
A3	0.203REF	
D	2.90	3.10
E	2.90	3.10
D1	1.45	1.70
E1	2.40	2.65
b	0.15	0.28
b1	0.150REF	
e	0.450BSC	
k	0.300REF	
L	0.30	0.50

TAPE AND REEL INFORMATION



QUADRANT ASSIGNMENTS FOR PIN 1 ORIENTATION IN TAPE



Device	Package Type	Pins	SPQ	Reel Diameter (mm)	Reel Width W1 (mm)	A0 (mm)	B0 (mm)	K0 (mm)	P1 (mm)	W (mm)	Pin1 Quadrant
ETA1090D3M	DFN3x3-12	12	5000	330	12.4	3.35	3.35	1.13	8	12	Q1

X-ON Electronics

Largest Supplier of Electrical and Electronic Components

Click to view similar products for [LED Display Drivers](#) category:

Click to view products by [etasolution](#) manufacturer:

Other Similar products are found below :

[STP16DP05PTR](#) [MP3370GN-Z](#) [ISL97631IHTZ-T7A](#) [ISL97632IRT26Z-T](#) [LV5026MC-AH](#) [IK62083DWT](#) [OB3655TAP-H](#) [OB3399PAP](#)
[AW36514FCR](#) [AW36428FCR](#) [KAQW214A TL](#) [TM1629\(TA2009B\)](#) [WS2814F](#) [XB402U-L27](#) [HT16K33A-20SOP](#) [HT16D33A-28SSOP](#)
[TM1628E](#) [TM512AE0](#) [TM512AD](#) [TM0822B](#) [SY7310AADC](#) [SY58863FAC](#) [SY5863AJAC](#) [FM4115K.](#) [TM1638N-SOP28-TA1319B](#)
[SPL5013CNI-TRG](#) [AW21024QNR](#) [AW36423FCR](#) [AW36515FCR](#) [AW99703CSR](#) [AW21036QNR](#) [AW21009QNR](#) [AW20108QNR](#)
[AW2016AQNR](#) [AW9967DNR](#) [AW9106CQNR](#) [PT4115BE89E](#) [CC1108ST](#) [CC1109](#) [SD6800BCTR](#) [SDH7612DH](#) [HT16D35A-48LQFP-EP](#)
[HT1635C-64LQFP-7*7](#) [HT16K33A-28SOP](#) [HT16D31A-16NSOP-EP](#) [TLD5099EP](#) [BCR 431U](#) [IS32FL3740-ZLA3-TR](#)
[PAM2804AAB010\(MS\)](#) [OB3379ZCPA-D](#)