

## 18V, 5A, High Efficiency Synchronous Step-Down Converter in DFN2x2-6

### DESCRIPTION

ETA1656 is a wide input range, high efficiency and high frequency DC to DC step-down switching regulator, capable of delivering up to 5A of output current.

It adopts an Adaptive COT control scheme that enables very fast transient response and provides a very smooth transition when the output varies from light load to heavy load. During light load, ETA1656 goes into a PFM mode that saves switching loss achieving high efficiency. The adaptive COT control also maintains a constant switching frequency across line and load. An OVP function protects the IC itself and its downstream system against input voltage surges.

ETA1656 is available in a DFN2x2-6 package.

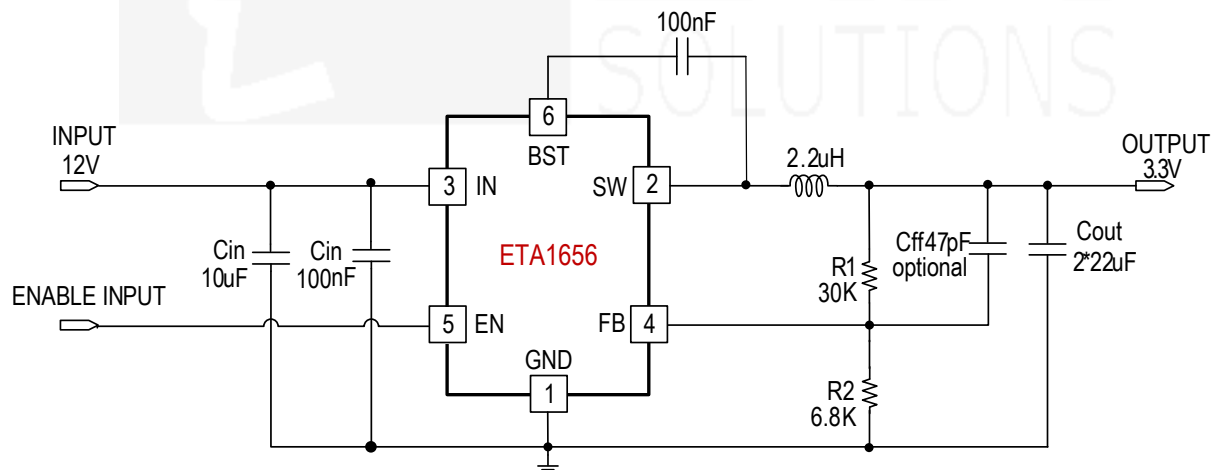
### FEATURES

- ◆ Wide Input Range: 4.5V-18V
- ◆ Adaptive COT Control
- ◆ Ultra-Fast Load Transient Response
- ◆ High Efficiency PFM Mode at Light Load
- ◆ Low R<sub>dson</sub> Internal Power FETs
- ◆ Capable of Delivering up to 5A
- ◆ Thermal Shutdown and UVLO
- ◆ Available in DFN2x2-6

### APPLICATIONS

- ◆ 5G CPE
- ◆ Set Top Box
- ◆ LCD TV

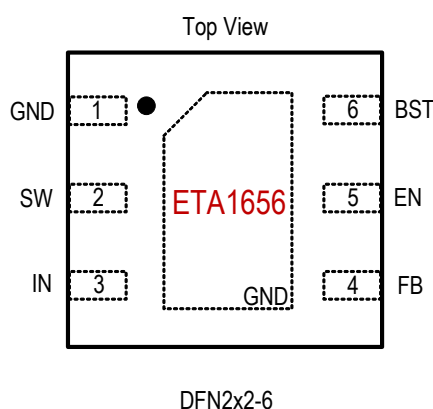
### TYPICAL APPLICATION



### ORDERING INFORMATION

PART No.	PACKAGE	TOP MARK	Pcs/Reel
ETA1656D2G	DFN2x2-6	TXYW	3000

## PIN CONFIGURATION



## ABSOLUTE MAXIMUM RATINGS

(Note: Exceeding these limits may damage the device. Exposure to absolute maximum rating conditions for long periods may affect device reliability.)

IN, SW, EN Voltage .....	-0.3V to 19V
BST Voltage.....	-0.3V to SW+6V
FB Voltage .....	-0.3V to 6V
Operating Temperature Range .....	-40°C to 85°C
Storage Temperature Range .....	-55°C to 150°C
Thermal Resistance $\theta_{JA}$ $\theta_{JC}$	
DFN2x2-6(1).....	57.2.....20.4..... °C /W
Lead Temperature (Soldering, 10 sec).....	260°C

### Note:

- (1) Measured on 10Z two-layer ETA evaluation board,  $T_A=25^\circ\text{C}$ ; the top of DFN2x2-6 package is the position where  $\theta_{JC}$  measured.

## ELECTRICAL CHARACTERISTICS

( $V_{IN} = 12\text{V}$ ,  $V_{OUT} = 3.3\text{V}$ , unless otherwise specified. Typical values are at  $T_A = 25^\circ\text{C}$ .)

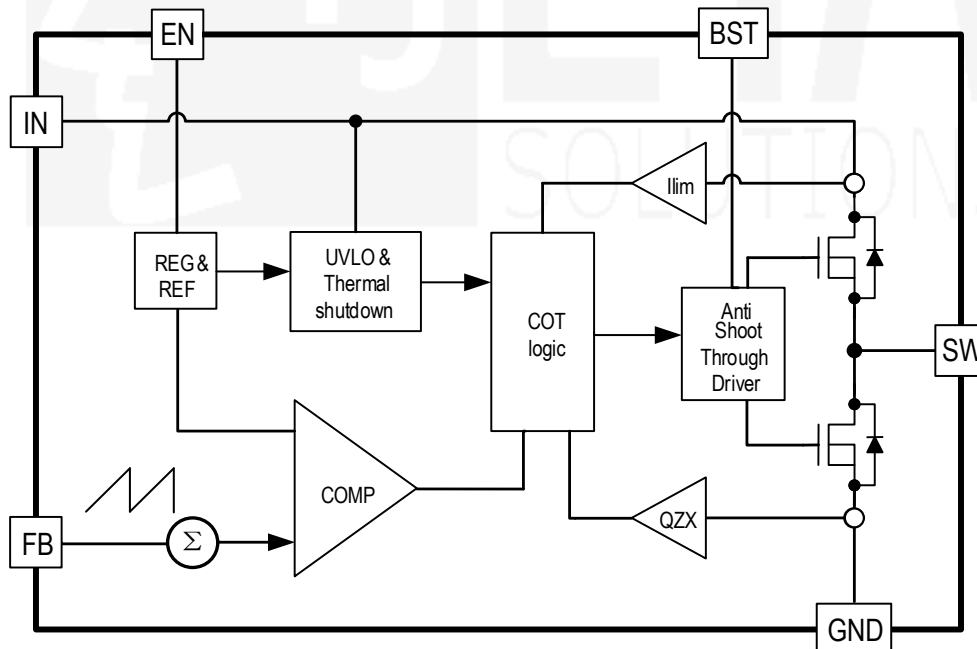
PARAMETER	CONDITIONS	MIN	TYP	MAX	UNIT
Input Supply Range		4.5		18	V
Input Under Voltage Lock Output	$V_{IN}$ Rising		4.05		V
UVLO Hysteresis	$V_{IN}$ Falling		300		mV
IN Over Voltage Protection Threshold	$V_{IN}$ Rising		19		V
OVP Hysteresis	$V_{IN}$ Falling		0.9		V
Output Voltage Range		0.6		5	V
Quiescent Current	EN = 2V		230		$\mu\text{A}$
Shutdown Current	EN = 0V		7	17	$\mu\text{A}$
FB Pin Regulation Voltage			0.6		V
FB Input Current			0	1	$\mu\text{A}$
Switching Frequency	CCM mode		600		KHz
Maximum Duty Cycle			97		%
Short Circuit Hiccup Time	On Time		2		ms
	Off Time		6		ms
FB out-of Hiccup Threshold	$V_{OUT}$ rising		75		%
FB under voltage hysteresis	$V_{OUT}$ falling		50		mV
High Side Switch On Resistance	$I_{SW}=1\text{A}$		75		m $\Omega$
Low Side Switch On Resistance	$I_{SW}=1\text{A}$		31		m $\Omega$
SW Leakage Current	$V_{IN}=V_{SW}=12\text{V}$			10	$\mu\text{A}$
Peak inductor protection current	High Side ON		8.8		A
Lowside current limit protection			5		A
Reverse Current Protection			200		mA
EN Rising Threshold			1.15		V

PARAMETER	CONDITIONS	MIN	TYP	MAX	UNIT
EN Threshold Hysteresis			100		mV
EN Input Current			2	6	uA
Thermal Shutdown			155		°C
Thermal Hysteresis			40		°C

## PIN DESCRIPTION

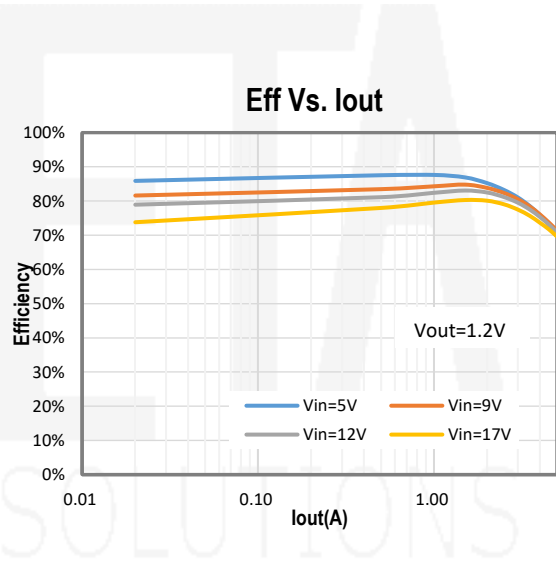
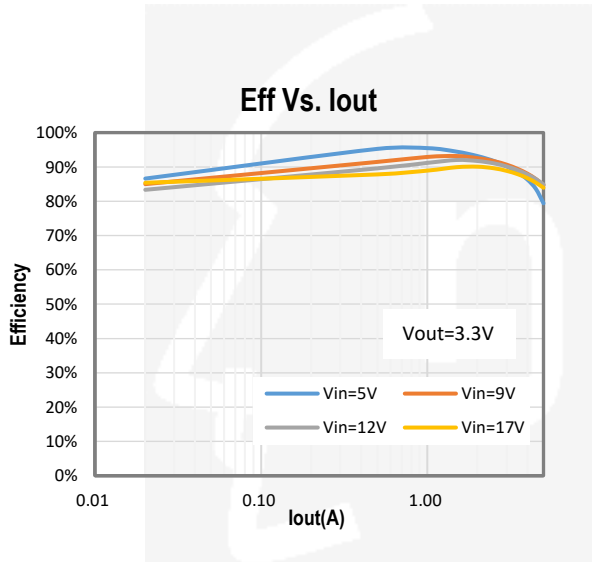
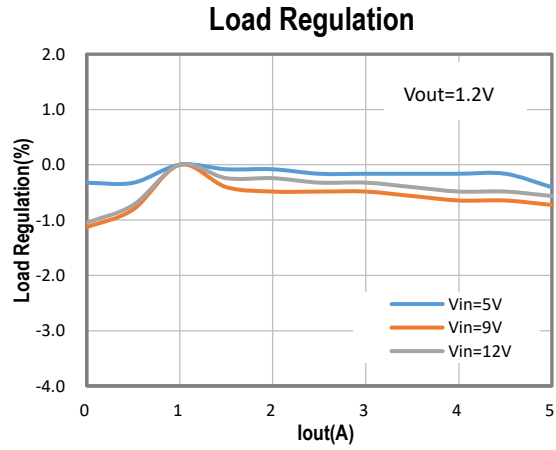
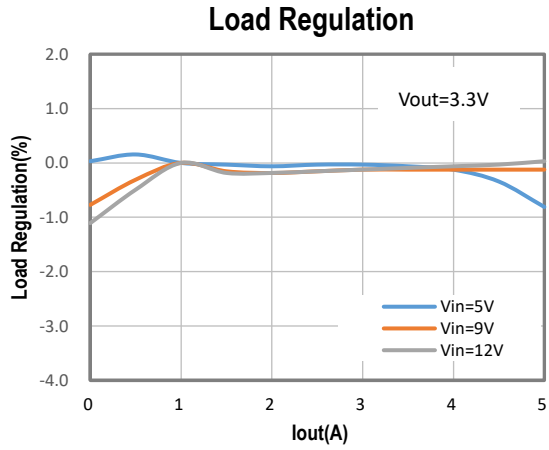
PIN #	PIN NAME	DESCRIPTION
1	GND	Ground
2	SW	Inductor Connection. Connect an inductor Between SW and the regulator output.
3	IN	Supply Voltage. Bypass with a 100nF HF filter plus a 10μF ceramic capacitor to GND.
4	FB	Feedback Input. Connect an external resistor divider from the output to FB and GND to set VOUT.
5	EN	Enable pin for the IC. Drive this pin high to enable the part, low or floating to disable.
6	BST	Bootstrap pin. Connect a 100nF capacitor from this pin to SW.

## FUNCTIONAL BLOCK DIAGRAM

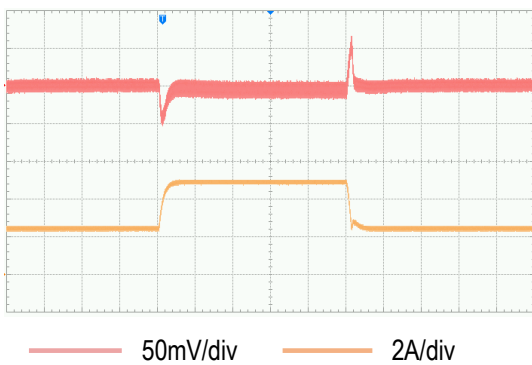


## TYPICAL CHARACTERISTICS

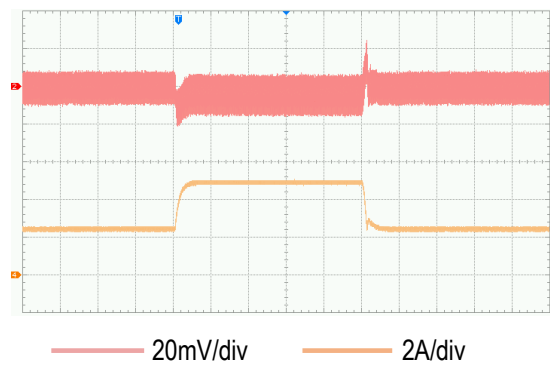
Typical values are at  $T_a=25^{\circ}\text{C}$  unless otherwise specified



Load Step, Vout=3.3V; Iout from 2.5A to 5A



Load Step, Vout=1.2V; Iout from 2.5A to 5A



## FUNCTION DESCRIPTION

The ETA1656 is a synchronous buck regulator ICs that integrates the adaptive COT control, top and bottom switches on the same die to minimize the switching transition loss and conduction loss.

ETA1656 is a wide input range, high-efficiency and high frequency DC-to-DC step-down switching regulator, capable of delivering up to 5A of output current. It adopts an Adaptive COT control scheme that enables very fast transient response and provides a very smooth transition when the output varies from light load to heavy load. It compares the sum of the FB voltage and a ripple voltage that mimics the voltage due to the output ESR and capacitance. The constant-on-time timer varies with line to achieve relative constant switching frequency across line.

### *Light Load Operation*

Traditionally, a fixed constant frequency PWM DC-DC regulator always switches even when the output load is small. When energy is shuffling back and forth through the power MOSFET, power is lost due to the finite  $R_{ds(on)}$  of the MOSFET and parasitic capacitances. At light load, this loss is prominent and efficiency is therefore very low. ETA1656 goes into a power save mode during light load, thereby extending the range of high efficiency operation.

### *Enable*

EN is a digital control pin that turns the ETA1656 on and off. Drive EN High to turn on the regulator, drive it Low to turn it off. An internal  $1M\Omega$  resistor from EN pin to GND allows EN to float to shut down the chip. Connecting the EN pin through a pull up resistor or shorted EN to IN will automatically turn on the chip whenever plug in IN.

### *Over Current Protection and Hiccup*

ETA1656 has a cycle-by-cycle over current limit for both inductor current peak value and inductor current valley value. Meanwhile both inductor currents during LS\_FET ON or HS\_FET ON are monitored. During LS\_FET on, sensed inductor current is monitored by a valley current limit comparator. HS\_FET always wait until valley current limit disappear to be on again. Once, HS\_FET is ON, it will be immediately OFF whenever max on time or peak current limit is reached.

When the output voltage drop until FB falls below UV threshold (70%  $V_{normal}$ ), the ETA1656 will enter hiccup mode. It will turn off the chip immediately for 6ms. After that, it will try to re-starts as normal for 2ms. After 2ms, if FB is still below UV threshold, then the chip enters hiccup mode again. If FB is higher than UV threshold, it will enter the normal mode.

### *Over-Temperature Protection*

Thermal protection disables the output when the junction temperature rises to approximately  $150^{\circ}C$ , allowing the device to cool down. When the junction temperature cools down approximately  $110^{\circ}C$ , the output circuitry

is again enabled. Depending on power dissipation, thermal resistance, and ambient temperature, the thermal protection circuit may cycle on and off.

This cycling limits regulator dissipation, protecting the device from damage as a result of overheating.

## OUTPUT VOLTAGE CONFIGURATION

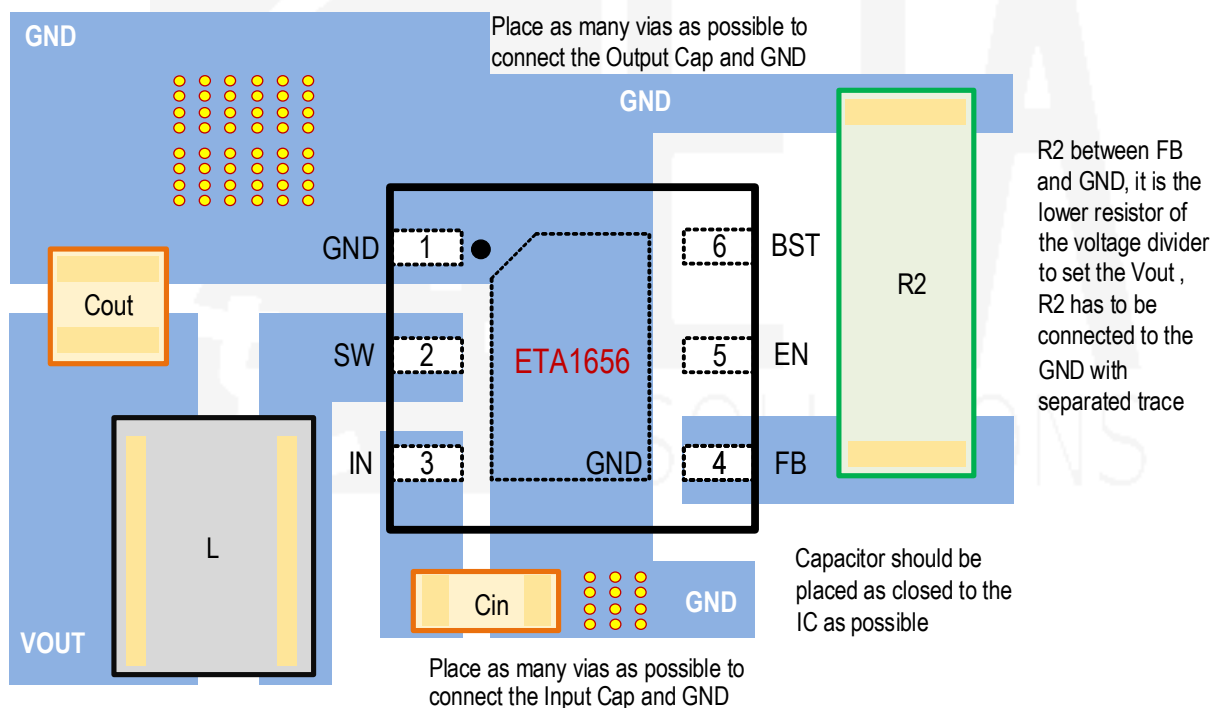
In external Output Voltage Setting Version selected, the ETA1656 regulator is programmed using an external resistor divider. The output voltage is calculated using below equation.

$$V_{OUT} = V_{REF} \times \left(1 + \frac{R_1}{R_2}\right)$$

Resistor R2 has to be between 1KOhm to 20KOhm and thus R1 is calculated by following equation.

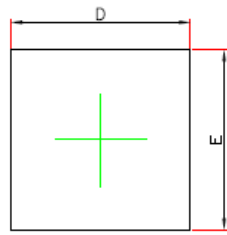
$$R_1 = \left(\frac{V_{OUT}}{V_{REF}} - 1\right) \times R_2$$

## PCB LAYOUT GUIDELINE

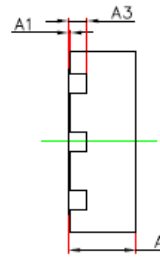


## PACKAGE OUTLINE

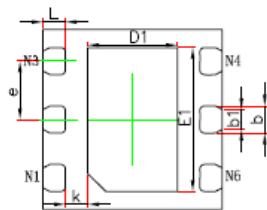
Package: DFN2x2-6



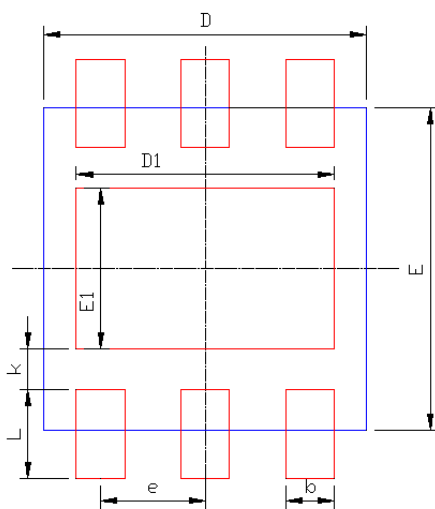
TOP VIEW



SIDE VIEW



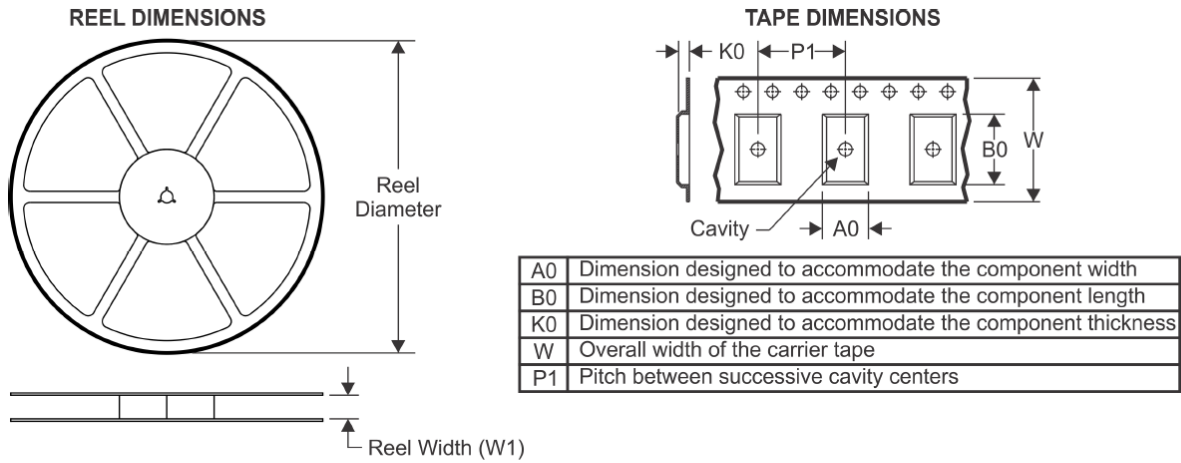
Symbol	Dimensions In Millimeters		Dimensions In Inches	
	Min.	Max.	Min.	Max.
A	0.700	0.800	0.028	0.031
A1	0.000	0.050	0.000	0.002
A3	0.203REF.		0.008REF.	
D	1.900	2.100	0.075	0.083
E	1.900	2.100	0.075	0.083
D1	0.900	1.100	0.035	0.043
E1	1.500	1.700	0.059	0.067
k	0.250 REF.		0.010REF.	
b	0.250	0.350	0.010	0.014
b1	0.220 REF.		0.009 REF.	
e	0.650BSC.		0.026BSC.	
L	0.174	0.326	0.007	0.013



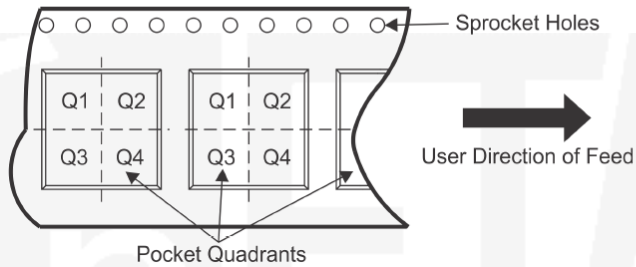
RECOMMENDED LAND PATTERN

Dimensions	Value (in mm)
D	2
E	2
D1	1.6
E1	1
e	0.65
b	0.3
L	0.55
k	0.25 (at least $\geq 0.2$ )

## TAPE AND REEL INFORMATION



### QUADRANT ASSIGNMENTS FOR PIN 1 ORIENTATION IN TAPE



Device	Package Type	Pins	SPQ	Reel Diameter (mm)	Reel Width W1 (mm)	A0 (mm)	B0 (mm)	K0 (mm)	P1 (mm)	W (mm)	Pin1 Quadrant
ETA1656D2G	DFN2*2-6	6	3000	180	9.5	2.3	2.3	1.1	4	8	Q1



## X-ON Electronics

Largest Supplier of Electrical and Electronic Components

*Click to view similar products for [Isolated DC/DC Converters](#) category:*

*Click to view products by [etasolution](#) manufacturer:*

Other Similar products are found below :

[PSL486-7LR](#) [Q48T30020-NBB0](#) [JAHW100Y1](#) [SPB05C-12](#) [SQ24S15033-PS0S](#) [CE-1003](#) [CE-1004](#) [MAU228](#) [J80-0041NL](#) [DFC15U48D15](#)  
[XGS-1205](#) [06322](#) [SPB05B-15](#) [L-DA20](#) [DCG40-5G](#) [XKS-2405](#) [DPA423R](#) [vi-m13-cw-03](#) [VI-L53-CV](#) [24IBX15-50-0ZG](#) [HZZ01204-G](#)  
[SPU02L-09](#) [SPU02M-09](#) [SPU02N-09](#) [QUINT4-BUFFER/24DC/40](#) [QUINT4-CAP/24DC/5/4KJ](#) [73-551-5039I](#) [DFC15U48D15G](#) [SEN-6471-](#)  
[1EM](#) [AHV2815DF/HBB](#) [MI-LC21-IX](#) [PAH-48/8.5-D48NB1-C](#) [BM3020-7A](#) [QRS2050P025K00](#) [CM2320-9EG](#) [SKMW15F-05](#)  
[V300A28H400BF3](#) [TEN 15-1223](#) [TEQ 100-2418WIR](#) [TEQ 160-7218WIR](#) [R05C05TE05S-R](#) [HQA2W085W033V-N07-S](#) [AM1SS-2405SJZ](#)  
[AM2DS-1224SJZ](#) [AM2DS-2405DJZ](#) [AM10SBO-4824SNZ-B](#) [AM15E-2405S-NZ](#) [AM2DS-1212SJZ](#) [AM30SBO-4805SNZ-B](#)  
[LT8301ES5#WTRPBF](#)