

Precision Load Switch with Adjustable Current Limit

DESCRIPTION

The ETA6021 is a load switch which provides full protection to systems and loads which may encounter large current conditions. ETA6021 offers a 95mΩ current-limited switch which can operate over an input voltage range of 2.5-5.5V. The current limit can be externally programmed by a precision resistor, ranges from 75mA to 1.7A. Switch control is by a logic input (EN) capable of interfacing directly with low voltage control signals. Current is prevented from flowing when the switch is off and the output voltage is higher than the input voltage. ETA6021 also features thermal shutdown protection which shuts off the switch to prevent damage to the part when a continuous over-current condition causes excessive heating. When the switch current reaches the current limit, the parts operate in a constant-current mode to prohibit excessive currents from causing damage. The ETA6021 will not turn off after a current limit fault, but will rather remain in the constant current mode indefinitely. ETA6021 is housed in a tiny SOT23-5L package.

APPLICATION

- USB ports/Hubs
- Hot Swaps
- Cellphones
- Tablet PC
- Set Top Box
- PC motherboard
- Handheld Devices

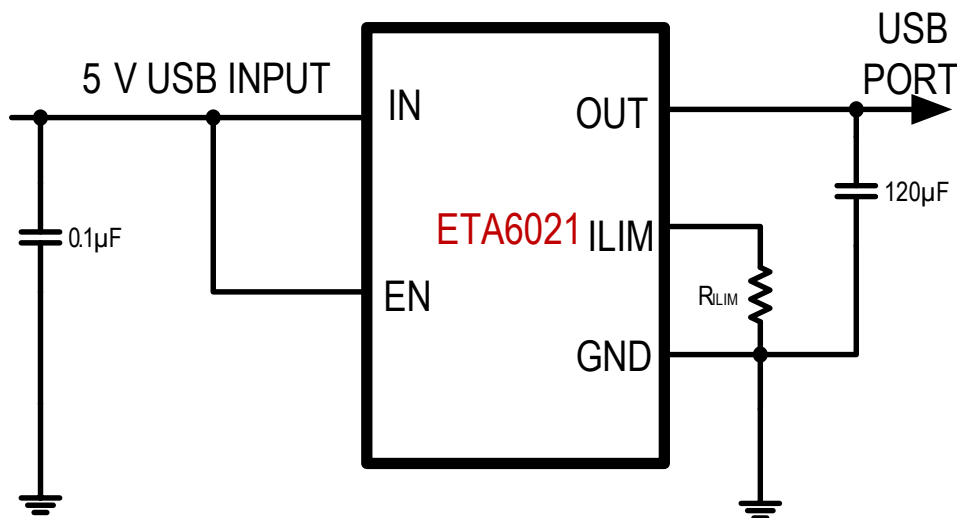
FEATURES

- Up to 1.5A Max Load current
- Accurate Current-limit threshold: +/-5%
- Programmable Current-limit : 75mA to 1.7A
- Fast Over-Current Response
- Reversed Current blocking
- Thermal Shutdown, UVLO protection
- Tiny SOT23-5L Package

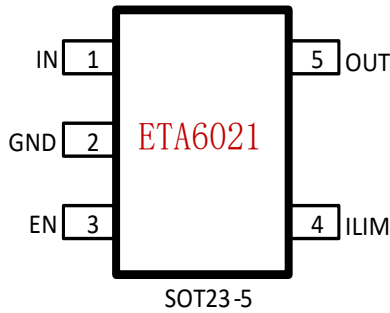
ORDERING INFORMATION

PART	PACKAGE PIN	TOP MARK
ETA6021S2F	SOT23-5	BxYW <div style="margin-left: 20px;">└─ Date Code</div> <div style="margin-left: 20px;">└─ Product Number</div>

TYPICAL APPLICATION



PIN CONFIGURATION



ABSOLUTE MAXIMUM RATINGS

(Note: Exceeding these limits may damage the device. Exposure to absolute maximum rating conditions for long periods may affect device reliability.)

IN to GND.....	-0.3V to 6V
OUT, ILIM, EN to GND.....	-0.3V to VIN+0.3V
OUT to GND Current	Internally limited
Maximum Power Dissipation.....	1.0W
Operating Temperature Range	-40°C to 85°C
Storage Temperature Range.....	-55°C to 150°C

ELECTRICAL CHARACTERISTICS

(VIN = 5V, unless otherwise specified. Typical values are at TA = 25°C.)

PARAMETER	CONDITIONS	MIN	TYP	MAX	UNITS
Input Voltage Range		2.5		5.5	V
Input UVLO	Rising, Hysteresis=25mV		2.35		V
Input Supply Current	RILIM=20K		120		µA
Input Shutdown Current			0.5	1.5	µA
Power Switch On Resistance	ISW =500mA		95		mΩ
	ISW =500mA, -40°C≤Tj≤120°C			145	mΩ
Current limit Threshold	RILIM=15K		1.705		A
	RILIM=20K		1.295		A
	RILIM=49.9K		0.525		A
Response time to Short-circuit			1		µS
Reverse-voltage Threshold	VOUT-VIN		150		mV
Reverse Leakage Current	VOUT=5.5V, Vin=0V, VEN=High		0.5	2	µA
EN Input Logic High threshold	VIN=5.5V			1	V
EN Input Logic Low threshold		0.66			V
Thermal Shutdown			160		°C
Thermal Shutdown In Current Limit			135		°C
Thermal Shutdown Hysteresis			15		°C

PIN DESCRIPTION

PIN #	NAME	DESCRIPTION
1	IN	Power input. Bypass with a 4.7µF capacitor to GND
2	GND	Ground
3	EN	Enable pin
4	ILIM	Current limit threshold setting pin. Connect a resistor from this pin to GND to set different current limit values
5	OUT	Current limit Output. Bypass with a capacitor that is greater than 120µF if used for USB

FUNCTION DESCRIPTION

The ETA6021 is a load switch which provides full protection to systems and loads which may encounter large current conditions. ETA6021 offers a 95mΩ current-limited switch which can operate over an input voltage range of 2.5-5.5V. The current limit can be externally programmed by a precision resistor, ranges from 75mA to 1.7A. ETA6021 also features reverse voltage blocking, UVLO, and thermal shutdown to protect IC from overheating.

CURRENT LIMITING

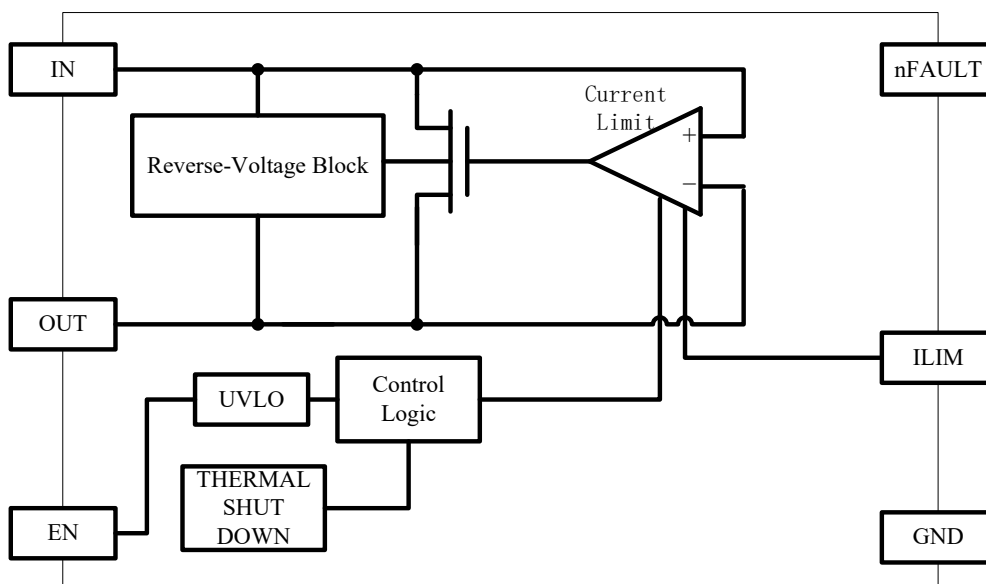
The current limit ensures that the current through the switch doesn't exceed a maximum value while not limiting at less than a minimum value. The current at which the parts will limit is adjustable through the selection of an external resistor connected to ILIM. Information for selecting the resistor is found in the Application Info section. ETA6021 thermal cycles if an overload condition is

present long enough to activate thermal limiting in any of the above cases. The device turns off when the junction temperature exceeds 135°C (typ) while in current limit. The device remains off until the junction temperature cools 10°C (typ) and then restarts

REVERSE-VOLTAGE BLOCKING

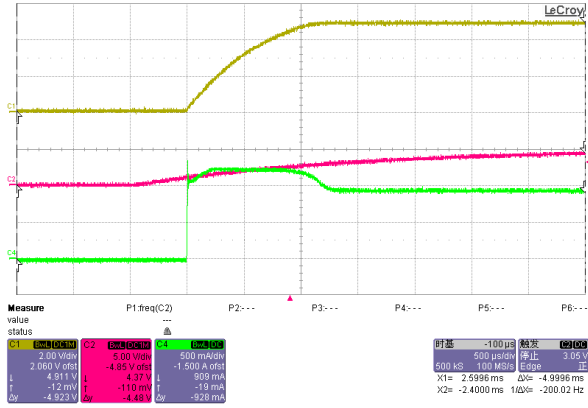
The reverse-voltage protection feature turns off the Power MOSFET whenever the output voltage exceeds the input voltage by 150mV (typ) for 4-μs (typ). This prevents damage to devices on the input side of the ETA6021 by preventing significant current from sinking into the input capacitance. The ETA6021 allow the power MOSFET to turn on once the output voltage goes below the input voltage for the same 4-μs deglitch time.

BLOCK DIAGRAM



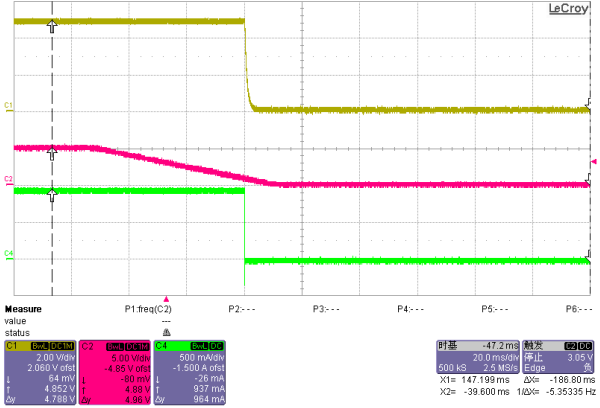
TYPICAL PERFORMANCE CHARACTERISTICS

(VIN = 5V, unless otherwise specified. Typical values are at TA = 25°C.)



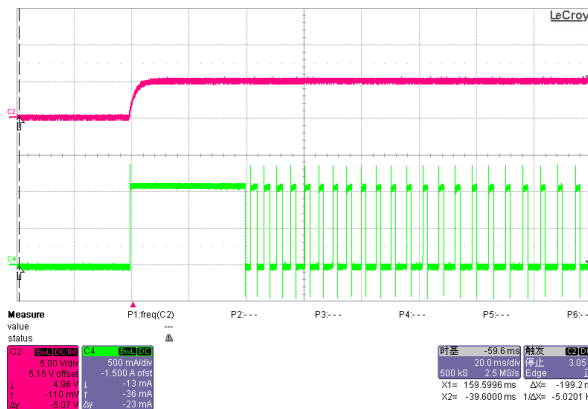
Turn on Delay and Rise time
VIN=5V, RILIM=20K, ROUT=5Ω

CH1: Output Voltage; CH2: Enabled pin Voltage; CH4: Input Current



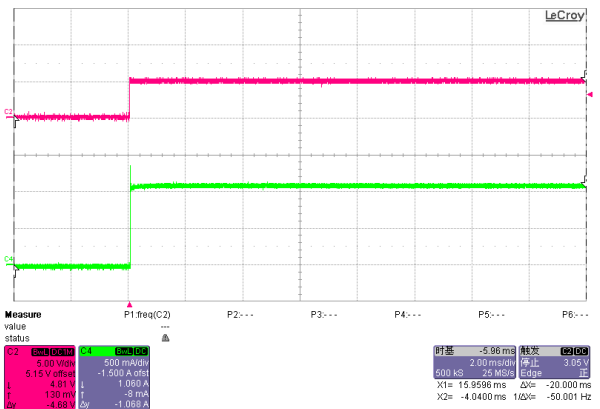
Turn off Delay and Fall Time
VIN=5V, RILIM=20K, ROUT=5Ω

CH1: Output Voltage; CH2: Enabled pin Voltage; CH4: Input Current



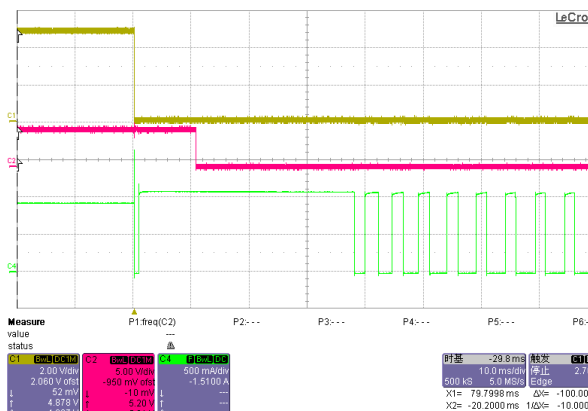
Device Enabled into short-Circuit
VIN=5V, RILIM=20K, ROUT=0Ω

CH2: Enabled pin Voltage; CH4: Input Current

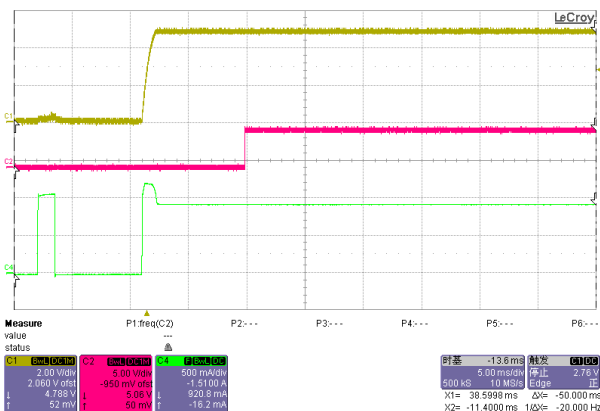


Device Enabled into short-Circuit
VIN=5V, RILIM=20K, ROUT=0Ω

CH2: Enabled pin Voltage; CH4: Input Current

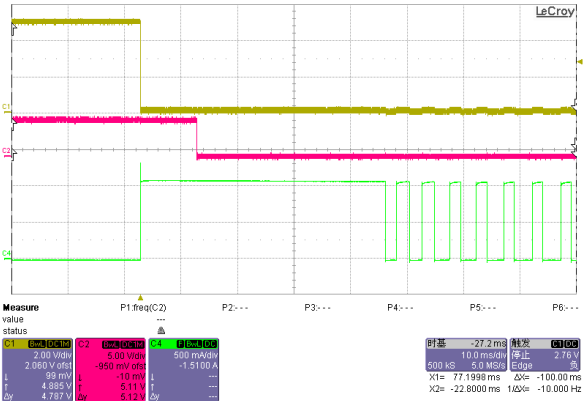


Full Load to Short-Circuit
VIN=5V, RILIM=20K



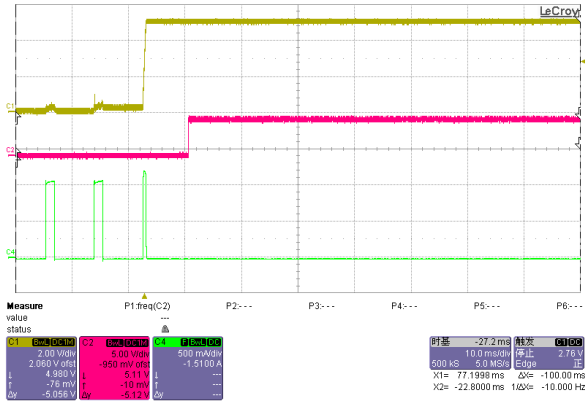
Short-Circuit to Full load
VIN=5V, RILIM=20K

CH1: Output Voltage; CH4: Input Current

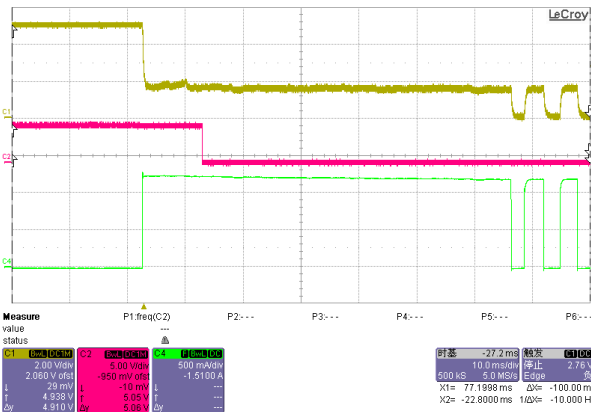


No-load to Short-Circuit
VIN=5V, RILIM=20K
CH1: Output Voltage;
CH4: Input Current

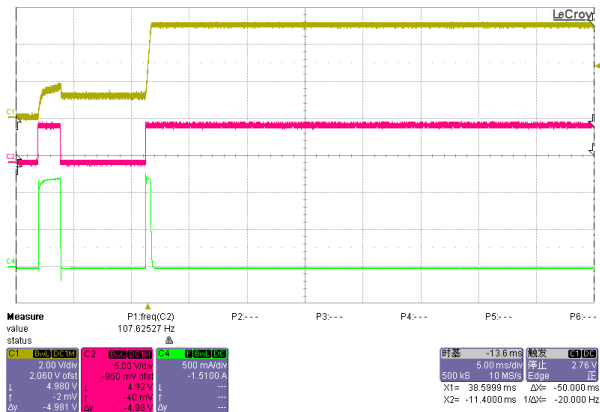
CH1: Output Voltage;CH4: Input Current



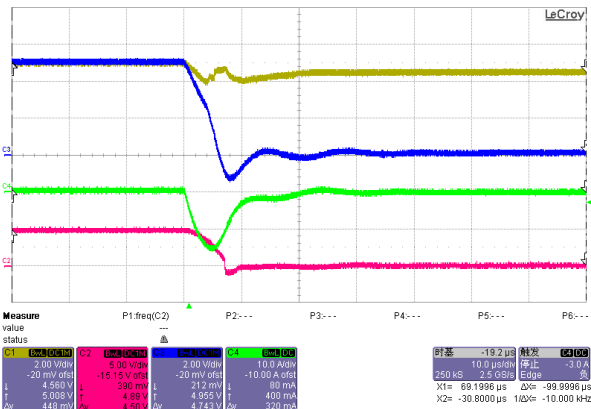
Short-Circuit to No-load VIN=5V,RILIM=20K
CH1: Output Voltage;
CH4: Input Current



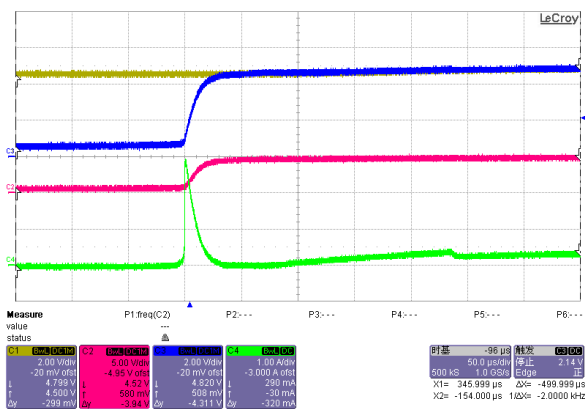
No-load to 1Ω-load
VIN=5V,RILIM=20K
CH1: Output Voltage;
CH4: Input Current



1Ω-load to No-load
VIN=5V,RILIM=20K
CH1: Output Voltage;
CH4: Input Current



Input Voltage from 5V into OV



Input Voltage from 0V into 5V

VOUT=5V, RILIM=20K, ROUT=10Ω

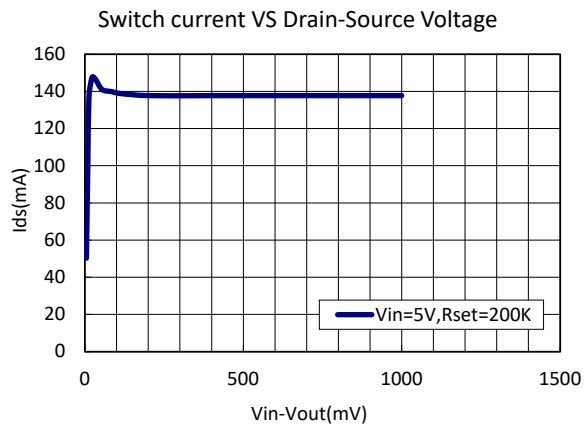
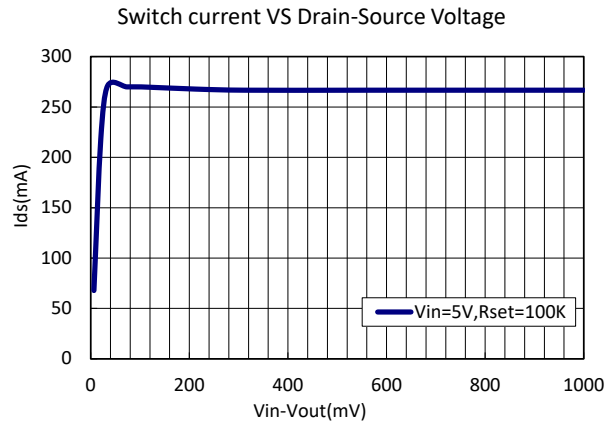
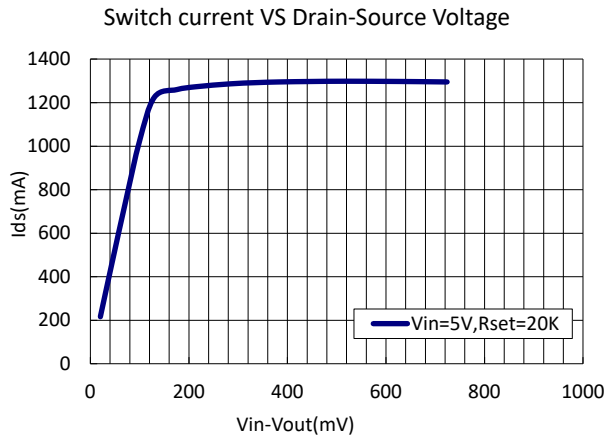
CH1: Output Voltage;

CH3: Input Voltage; CH4: Input Current

VOUT=5V, RILIM=20K, ROUT=10Ω

CH1: Output Voltage;

CH3: Input Voltage; CH4: Input Current



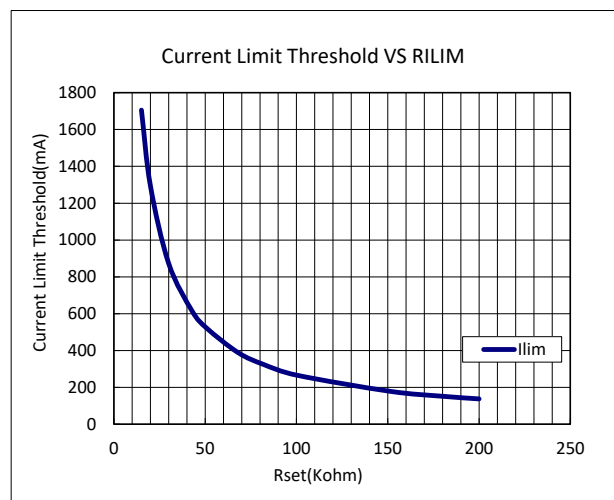
APPLICATION INFORMATION

INPUT OUTPUT CAPACITANCE

Input and output capacitance improves the performance of the device; the actual capacitance should be optimized for the particular application. For all applications, a 4.7 μ F or greater ceramic bypass capacitor between IN and GND is recommended as close to the device as possible for local noise de-coupling. This precaution reduces ringing on the input due to power-supply transients. Additional input capacitance may be needed on the input to reduce voltage overshoot from exceeding the absolute maximum voltage of the device during heavy transient conditions. This is especially important during bench testing when long, inductive cables are used to connect the evaluation board to the bench power-supply. Placing a high-value electrolytic capacitor on the output pin is recommended when large transient currents are expected on the output.

SETTING THE CURRENT LIMIT THRESHOLD

R _{ILIM} (K Ω)	Typical Current Limit (mA)
200	138
180	152
151	179
100	266
82	324
68	389
51	520
43	612
30	873
20	1295
15.1	1705



POWER DISSIPATION

During normal operation as a switch, the power dissipated in the part will depend upon the level at which the current limit is set. The maximum allowed setting for the current limit is 1A and this will result in a power dissipation of,

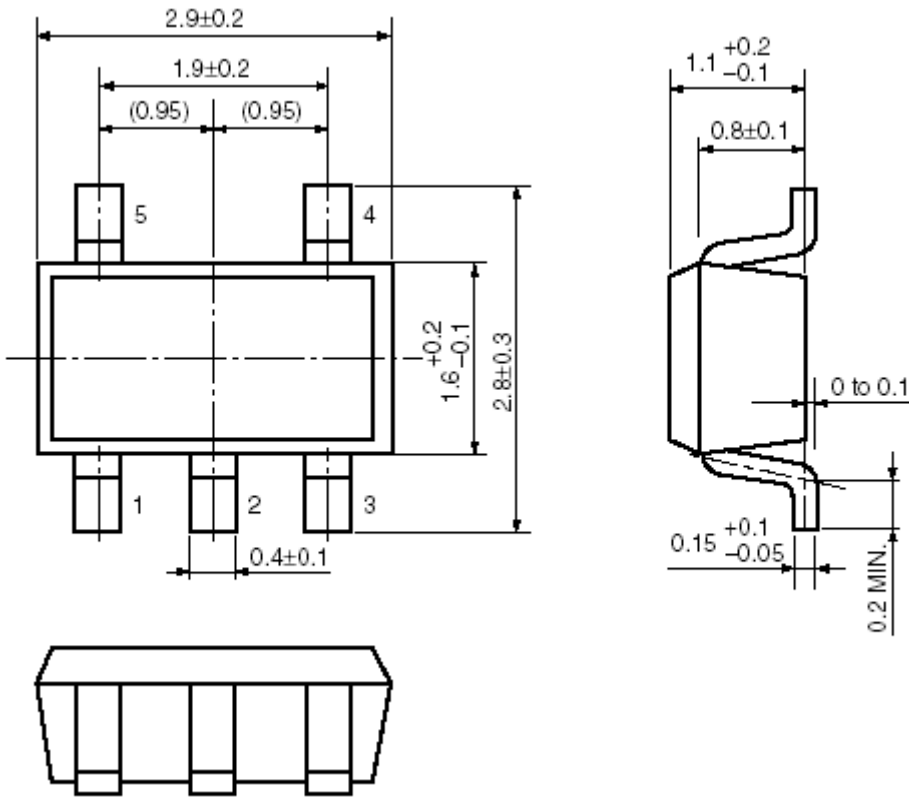
$$P = (I_{LIM})^2 \times R_{DS} = (1)^2 \times 0.10 = 100\text{mW}$$

If the part goes into current limit the maximum power dissipation will occur when the output is shorted to ground. This is more power than the package can dissipate, but the thermal shutdown of the part will activate to protect the part from damage due to excessive heating. A short on the output will cause the part to operate in a constant current state dissipating a worst case power of,

$$P(\text{max}) = V_{IN}(\text{max}) \times I_{LIM}(\text{max}) = 5.5 \times 1 = 5.5\text{W}$$

This large amount of power will activate the thermal shutdown and the part will cycle in and out of thermal shutdown so long as the DN pin is active and the short is present.

PACKAGE OUTLINE



X-ON Electronics

Largest Supplier of Electrical and Electronic Components

Click to view similar products for [Power Switch ICs - Power Distribution](#) *category:*

Click to view products by [etasolution](#) *manufacturer:*

Other Similar products are found below :

[TLE6232GP](#) [NCP45520IMNTWG-L](#) [VND5E004ATR-E](#) [FPF1018](#) [DS1222](#) [NCV380HMUAJAATBG](#) [SZNCP3712ASNT3G](#)
[NCP45520IMNTWG-H](#) [VND5004ATR-E](#) [AP22811BW5-7](#) [SLG5NT1437VTR](#) [SZNCP3712ASNT1G](#) [DML1008LDS-7](#) [TS13011-QFNR](#)
[VND7012AYTR](#) [NCV459MNWTBG](#) [NCP4545IMNTWG-L](#) [NCV8412ASTT1G](#) [NCV8412ASTT3G](#) [FPF2260ATMX](#) [SLG5NT1765V](#)
[SLG5NT1757V](#) [NCP45780IMN24RTWG](#) [AP2151DMPG-13](#) [AP2151AMP-13](#) [NCP45540IMNTWG-L](#) [TPS2022P](#) [FPF2495BUCX](#)
[NCP45650IMNTWG](#) [NCV8412ADDR2G](#) [DK5V100R20S](#) [BTS7020-2EPA](#) [BTT6100-2ERA](#) [BTS71220-4ESA](#) [DK5V100R15M](#)
[WS3220C9-9/TR](#) [BTT6030-2ERA](#) [TLE75602-ESH](#) [BTS5200-4EKA](#) [DK5V150R25M](#) [DK5V45R25](#) [DK5V100R25S](#) [AW35206FOR](#)
[BTS7120-2EPA](#) [TLE75008-ESD](#) [BTS7040-1EPA](#) [BTT6030-1ERA](#) [DK5V60R10S](#) [DK5V45R25S](#) [DK5V60R10](#)