

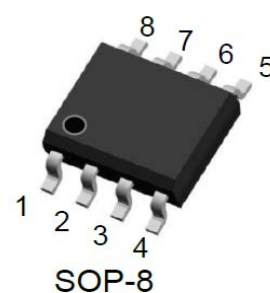
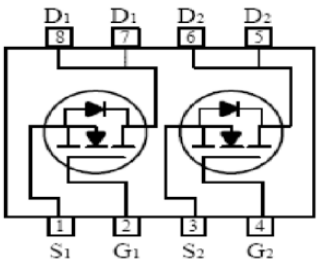
Dual N-Channel High Density Trench MOSFET (20V, 6.0A)

PRODUCT SUMMARY

V_{DSS}	I_D	$R_{DS(on)}$ (m Ω)Max
20V	6.0A	22 @ $V_{GS} = 4.5V, I_D=6.0A$
		26 @ $V_{GS} = 2.5V, I_D=5.2A$

Features

- Advanced Trench Process Technology
- High Density Cell Design for Ultra Low On-Resistance
- Surface mount Package
- Lead (Pb) -free and halogen-free

 <p>SOP-8</p>		<p>Pin1: Source1 Pin2: Gate1 Pin3: Source2 Pin4: Gate2 Pin5/6: Drain2 Pin7/8: Drain1</p>	<table border="1"> <tr> <th colspan="2">TOP Marking</th> </tr> <tr> <td>ES9926</td> <td>part number</td> </tr> <tr> <td>XXXXXX</td> <td>ID CODE</td> </tr> </table>	TOP Marking		ES9926	part number	XXXXXX	ID CODE
TOP Marking									
ES9926	part number								
XXXXXX	ID CODE								

Absolute Maximum Ratings ($T_A=25^\circ C$, unless otherwise noted)

Symbol	Parameter	Ratings	Units
V_{DS}	Drain-Source Voltage	20	V
V_{GS}	Gate-Source Voltage	± 12	V
I_D	Drain Current (Continuous)	6	A
I_{DM}	Drain Current (Pulsed) ^a	20	A
P_D	Total Power Dissipation @ $T_A=25^\circ C$	2	W
I_S	Maximum Diode Forward Current	1.7	A
T_j, T_{stg}	Operating Junction and Storage Temperature Range	-55 to +150	$^\circ C$
R_{QJA}	Thermal Resistance Junction to Ambient (PCB mounted) ^b	62	$^\circ C/W$

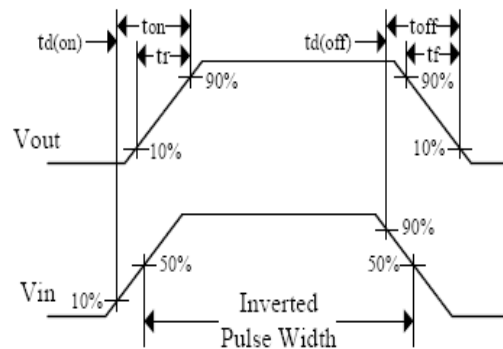
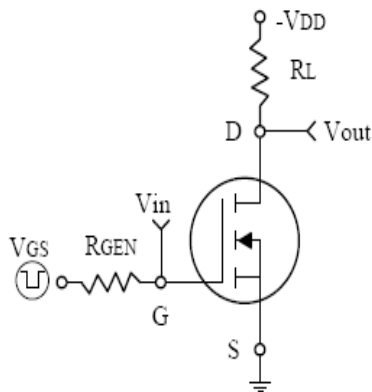
a: Repetitive Rating: Pulse width limited by the maximum junction temperature.

b: 1-in² 2oz Cu PCB board

Electrical Characteristics ($T_A=25^\circ\text{C}$, unless otherwise noted)

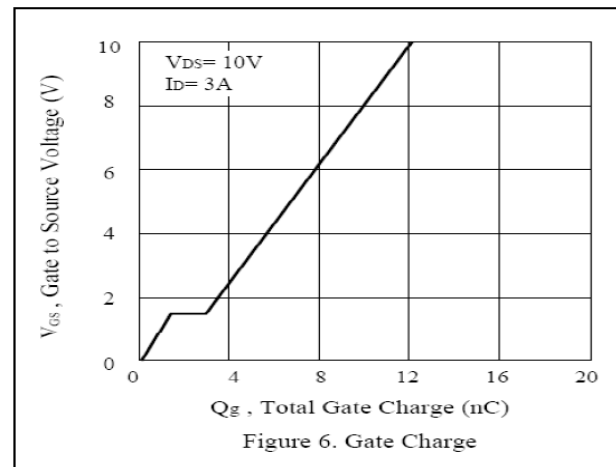
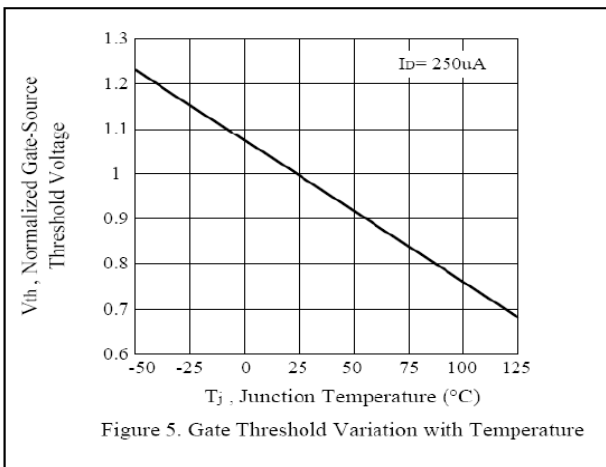
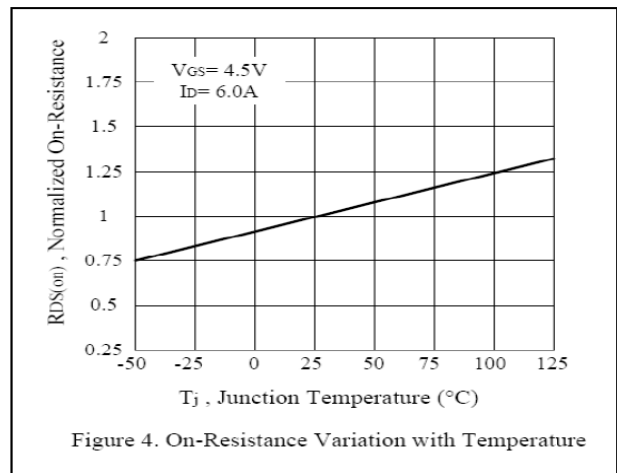
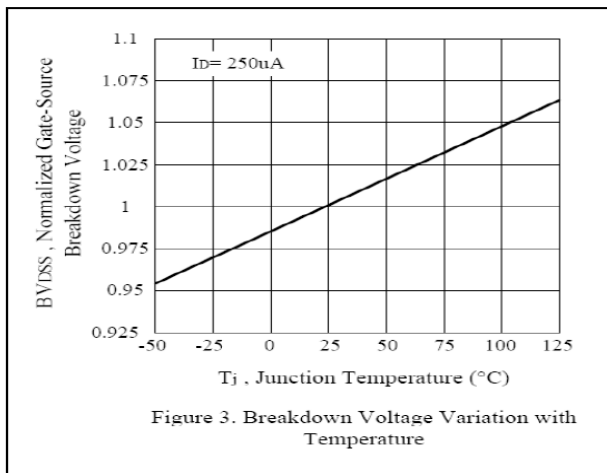
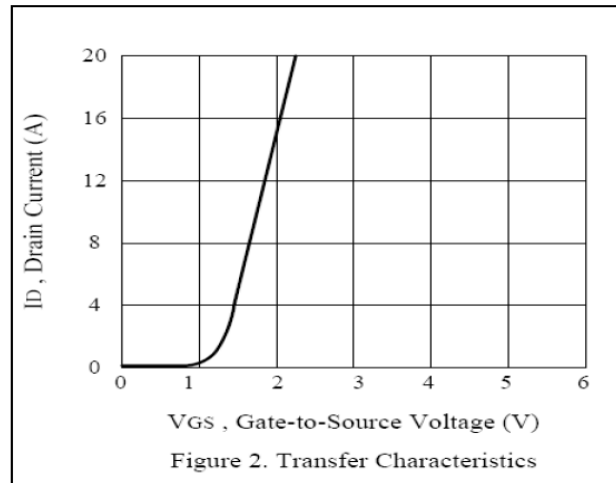
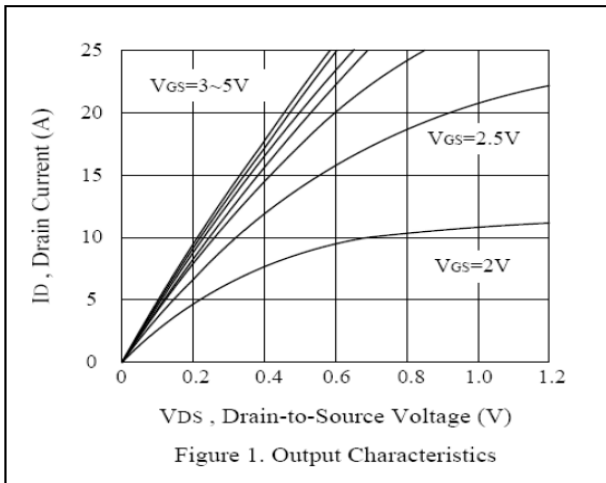
Symbol	Characteristic	Test Conditions	Min.	Typ.	Max.	Unit
• Off Characteristics						
BV_{DSS}	Drain-Source Breakdown Voltage	$V_{GS}=0V, I_D=250\mu A$	20	-	-	V
I_{DSS}	Zero Gate Voltage Drain Current	$V_{DS}=20V, V_{GS}=0V$	-	-	1	μA
I_{GSS}	Gate-Body Leakage Current	$V_{GS}=\pm 12V, V_{DS}=0V$	-	-	± 100	nA
• On Characteristics						
$V_{GS(th)}$	Gate Threshold Voltage	$V_{DS}=V_{GS}, I_D=250\mu A$	0.6	0.65	1.2	V
$R_{DS(on)}$	Drain-Source On-State Resistance	$V_{GS}=4.5V, I_D=2.8A$	-	22	28	m Ω
		$V_{GS}=2.5V, I_D=2A$	-	26	40	
• Dynamic Characteristics						
C_{iss}	Input Capacitance	$V_{DS}=6V, V_{GS}=0V, f=1\text{MHz}$	-	559	-	PF
C_{oss}	Output Capacitance		-	148	-	
C_{rss}	Reverse Transfer Capacitance		-	127	-	
• Switching Characteristics						
Q_g	Total Gate Charge	$V_{DS}=6V, I_D=5.4A, V_{GS}=4.5V$	-	5	-	nC
Q_{gs}	Gate-Source Charge		-	0.9	-	
Q_{gd}	Gate-Drain Charge		-	1.4	-	
$t_{d(on)}$	Turn-on Delay Time	$V_{DD}=-6V, R_L=6\Omega, I_D=1A, V_{GEN}=4.5V, R_G=6\Omega$	-	10.2	-	nS
t_r	Turn-on Rise Time		-	7	-	
$t_{d(off)}$	Turn-off Delay Time		-	33	-	
t_f	Turn-off Fall Time		-	6.8	-	
• Drain-Source Diode Characteristics						
V_{SD}	Drain-Source Diode Forward	$V_{GS}=0V, I_S=1.7A$	-	-	1.2	V

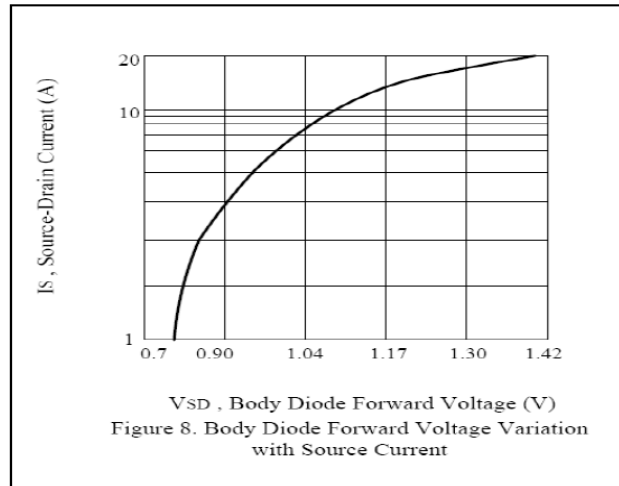
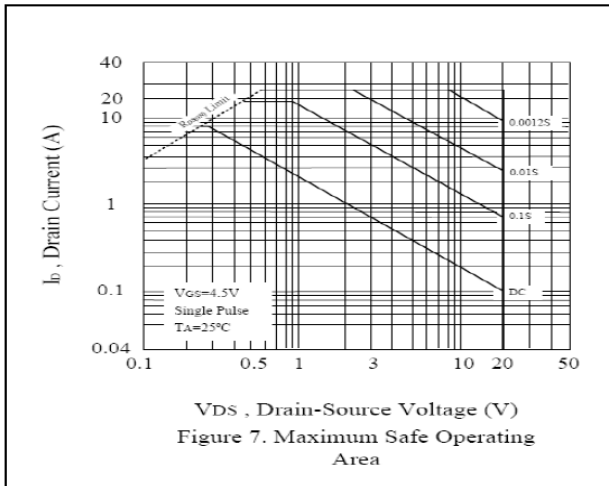
Note: Pulse Test: Pulse Width $\leq 300\mu s$, Duty Cycle $\leq 2\%$



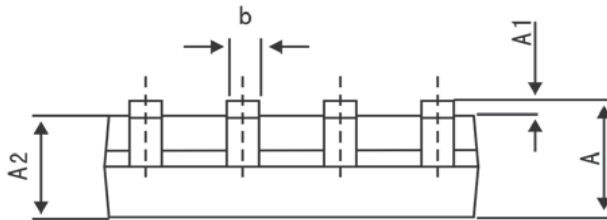
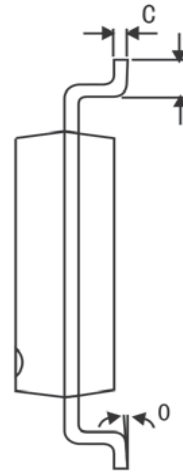
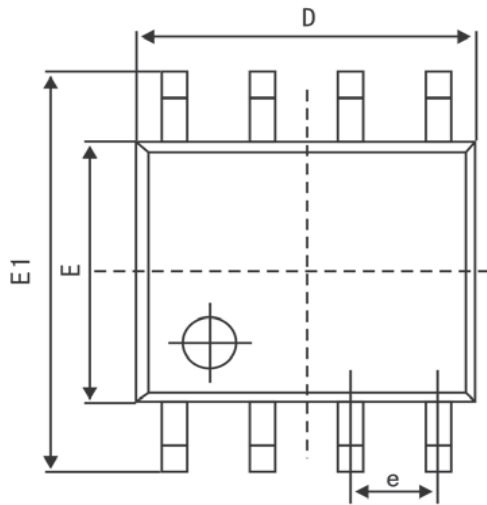
Switching Test Circuit and Switching Waveforms

Typical Characteristics Curves (Ta=25°C, unless otherwise note)





ES9926 PACKAGE OUTLINE DIMENSIONS



Symbol	Dimensions In Millimeters (MM)		Dimensions In Inches (MIL)	
	Min	Max	Min	Max
A	1.350	1.750	0.053	0.069
A1	0.100	0.250	0.004	0.010
A2	1.350	1.550	0.053	0.061
b	0.330	0.510	0.013	0.020
c	0.170	0.250	0.007	0.010
D	4.700	5.100	0.185	0.201
E	3.800	4.000	0.150	0.157
E1	5.800	6.200	0.228	0.244
e	1.270 (BSC)		0.050 (BSC)	
L	0.400	1.270	0.016	0.050
θ	0°	8°	0°	8°

X-ON Electronics

Largest Supplier of Electrical and Electronic Components

Click to view similar products for [MOSFET](#) category:

Click to view products by [Eternal Semiconductor](#) manufacturer:

Other Similar products are found below :

[IRFD120](#) [JANTX2N5237](#) [BUK455-60A/B](#) [MIC4420CM-TR](#) [VN1206L](#) [NDP4060](#) [SI4482DY](#) [IPS70R2K0CEAKMA1](#) [SQD23N06-31L-GE3](#)
[TK16J60W,S1VQ\(O](#) [2SK2614\(TE16L1,Q\)](#) [DMN1017UCP3-7](#) [DMN1053UCP4-7](#) [SQJ469EP-T1-GE3](#) [NTE2384](#) [DMC2700UDMQ-7](#)
[DMN2080UCB4-7](#) [DMN61D9UWQ-13](#) [US6M2GTR](#) [DMN31D5UDJ-7](#) [DMP22D4UFO-7B](#) [DMN1006UCA6-7](#) [DMN16M9UCA6-7](#)
[STF5N65M6](#) [IRF40H233XTMA1](#) [STU5N65M6](#) [DMN6022SSD-13](#) [DMN13M9UCA6-7](#) [DMTH10H4M6SPS-13](#) [DMN2990UFB-7B](#)
[IPB80P04P405ATMA2](#) [2N7002W-G](#) [MCAC30N06Y-TP](#) [MCQ7328-TP](#) [BXP7N65D](#) [BXP4N65F](#) [AOL1454G](#) [WMJ80N60C4](#) [BXP2N20L](#)
[BXP2N65D](#) [BXT1150N10J](#) [BXT1700P06M](#) [TSM60NB380CP](#) [ROG](#) [RQ7L055BGTCR](#) [DMNH15H110SK3-13](#) [SLF10N65ABV2](#)
[BSO203SP](#) [BSO211P](#) [IPA60R230P6](#) [IPA60R460CE](#)